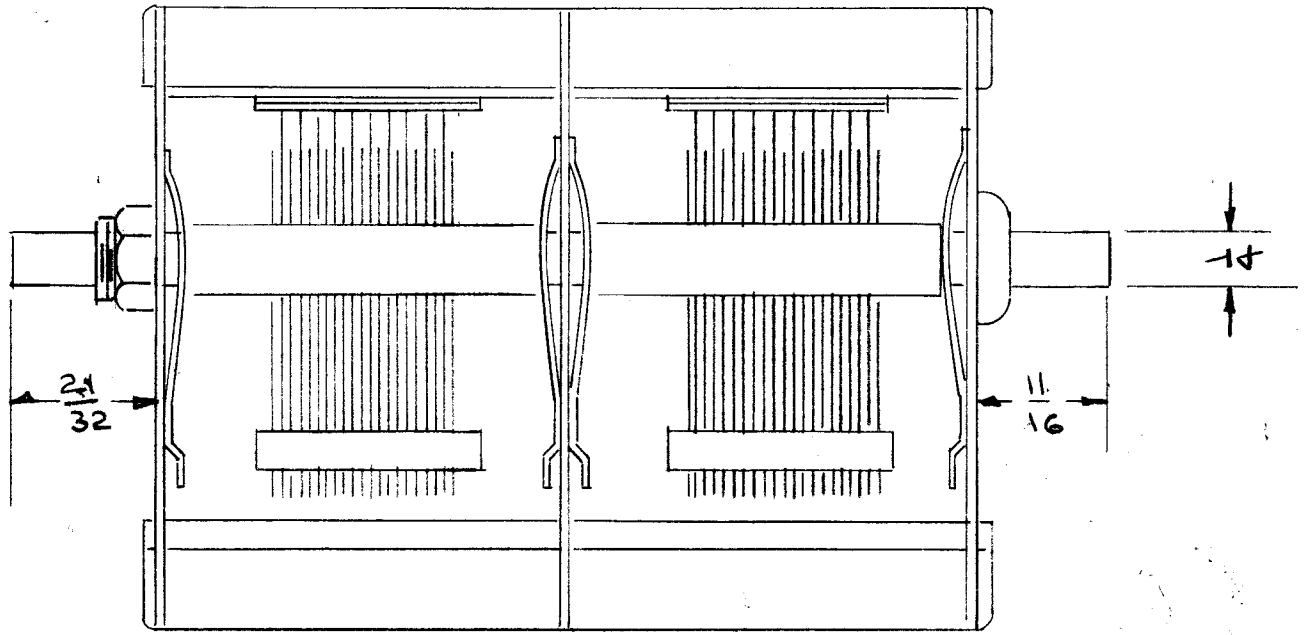
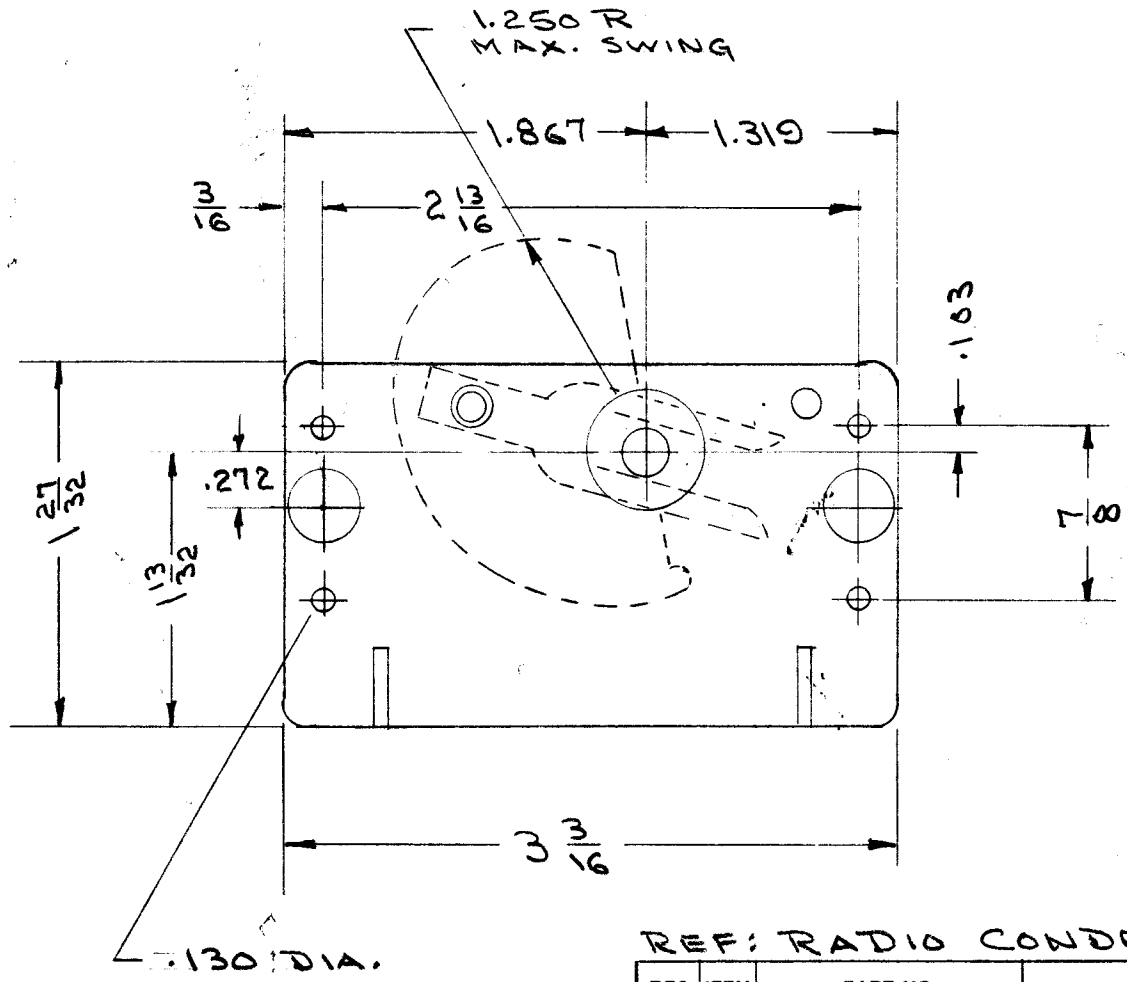
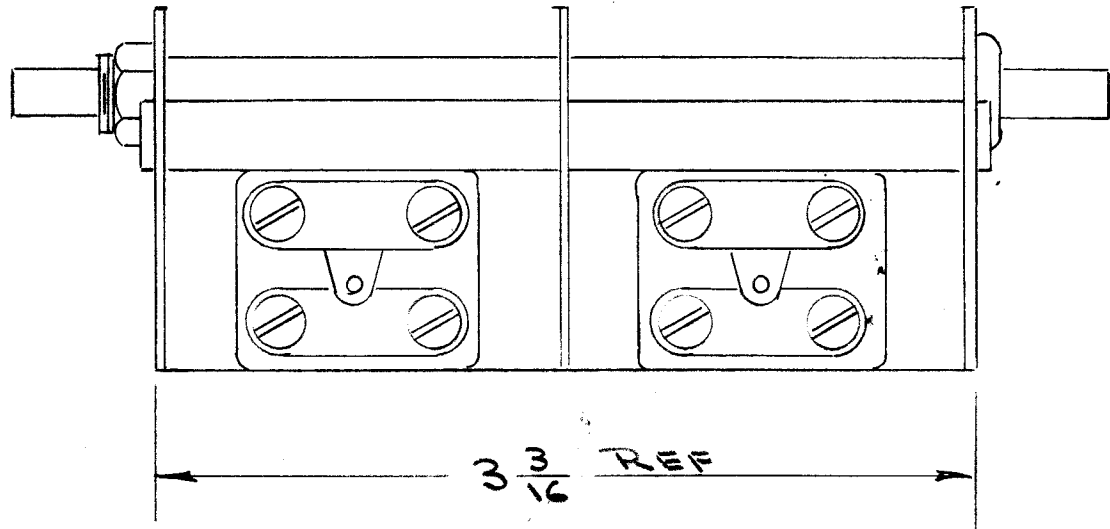


CB-133 A



SERIES 17 - TYPE K
 TWO SECTIONS
 COUNTER CLOCKWISE ROTATION FOR MAX. CAP.
 CERAMIC STATOR INSULATION
 SECTIONS: 1 + 2
 STEEL ROTOR PLATES - 11
 STEEL STATOR PLATES - 10
 AIR GAP - .0235
 MAX. CAP. - APPROX 282
 TEST POINTS - 25, 50, 75, 100%
 CAP. TOL: AS PER RADIO CONDENSER CORP. SPEC.
 ROTOR SHAFT - C.R. STEEL
 WIPERS: SPRING BRASS - POS. AS SHOWN &
 SOLDER TO PLATES.
 FINISH: ALL PARTS - CADMIUM PLATED.

ROTATION	PLATES
0	0
10	4.7
20	14.3
25	19.8
30	26.1
40	41.7
50	63.9
60	95.4
70	136.1
75	158.5
80	181.4
90	226.7
100	270.0
MIN.	12.5



NOTICE TO PERSONS RECEIVING THIS DRAWING

THE TECHNICAL MATERIEL CORPORATION claims proprietary right in the material disclosed hereon. This drawing is issued in confidence for engineering information only and may not be reproduced or used to manufacture anything shown hereon without permission from THE TECHNICAL MATERIEL CORPORATION to the user. This drawing is loaned for mutual assistance and is subject to recall at any time.

Property of:
 THE TECHNICAL MATERIEL CORPORATION
 MAMARONECK, NEW YORK

REF: RADIO CONDENSER CORP.

ISSUE	ITEM	CHANGED FROM	DATE	CH. NO.	DRAFTS	CHECKER	ENG. APP.
A	1	3/32 BALL RACE DIMENSION DELETED	6/13/57	1	JMB	RB	AKB

TOLERANCES: DEC. DIM. ±, FRAC. DIM. ±, ANGULAR DIM. ±

SCALE: MAXIMUM ALLOWABLE TOLERANCES HAVE BEEN DETERMINED AND ANY DEVIATIONS WILL BE CAUSE FOR REJECTION. REMOVE ALL BURRS AND SHARP EDGES

REQ. PER UNIT	3BE-1	PROJECT NO.	5-24-57
	MODEL	ASS'Y. NO.	DATE
			USED ON

REQ. ITEM	PART NO.	DESCRIPTION	SYMBOL
		THE TECHNICAL MATERIEL CORP. MAMARONECK, NEW YORK	
STOCK SIZE		CONDENSER, VARIABLE AIR	
MATERIAL		2 SECTIONS	
TYPE & TEMPER	HEAT TREAT. SPEC.	DRAWN	CHECKED
		JMB 5/24/57	AKB
FINISH & SPEC. NO.	ELEC. DES. APP.	MECH. DES. APP.	
			CB-133 A