

IF IT IS FOUND DESIRABLE TO CHANGE ANY TOLERANCE OR OTHER DETAIL SPECIFIED ON THIS DRAWING NOTIFY THE PURCHASER PROMPTLY.

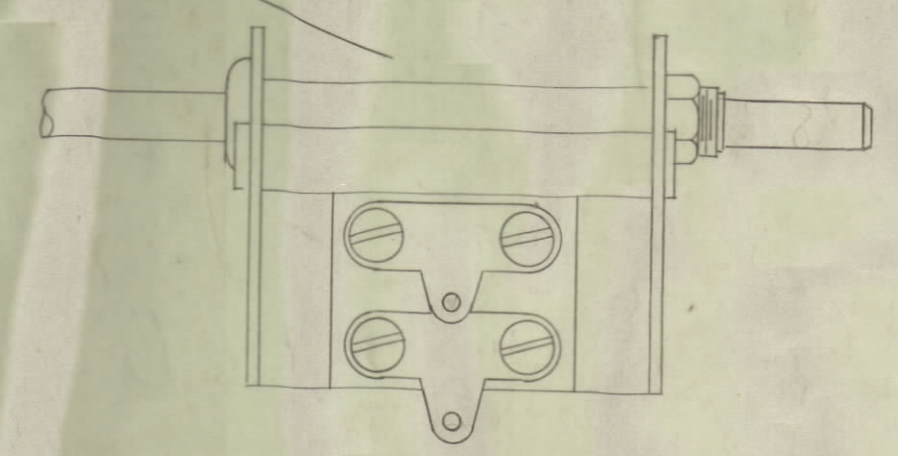
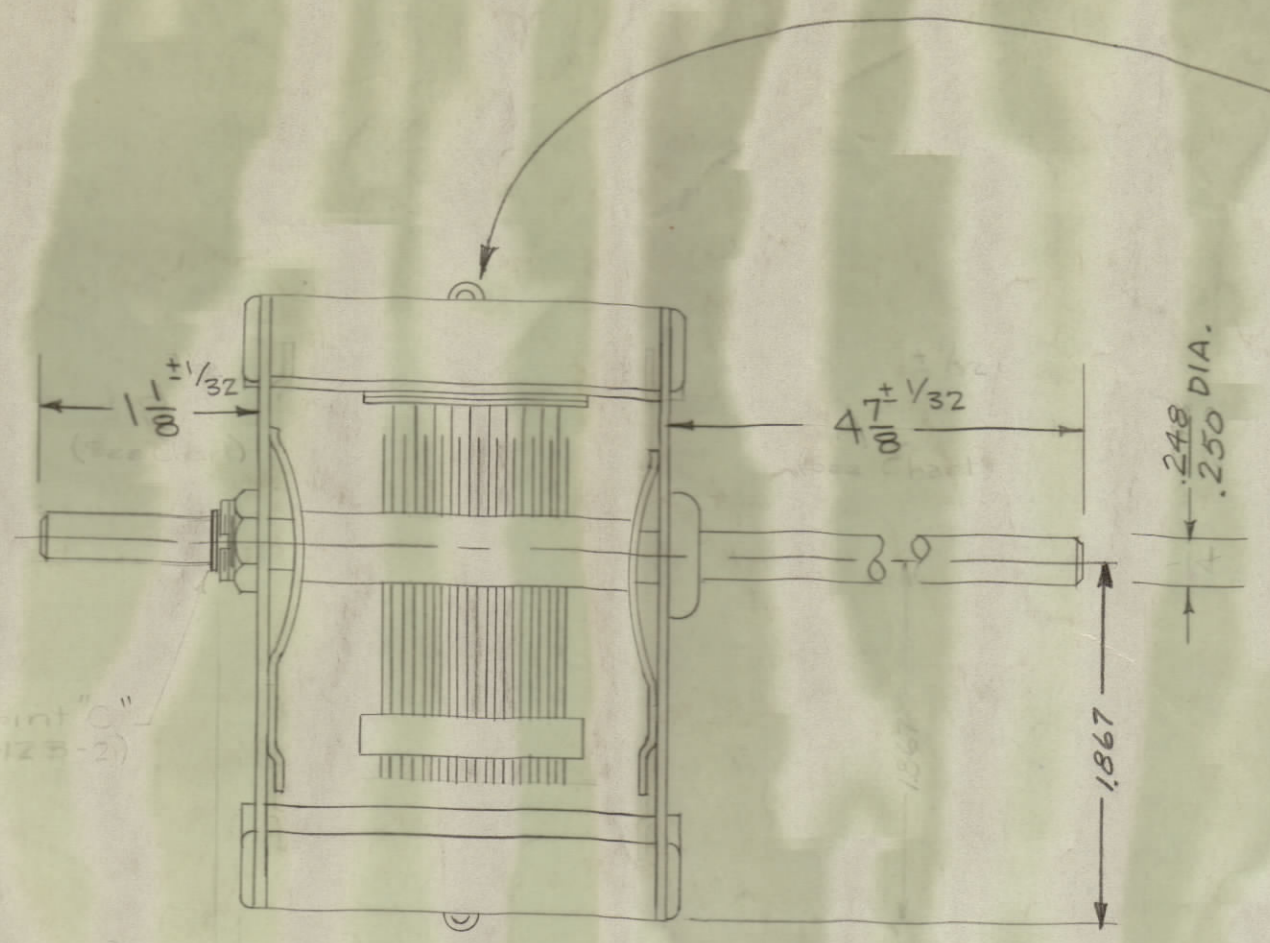
MAXIMUM ALLOWABLE TOLERANCES HAVE BEEN DETERMINED AND DEVIATIONS WILL BE CAUSE FOR REJECTION. REMOVE ALL BURRS AND SHARP EDGES

NOTICE TO PERSONS RECEIVING THIS DRAWING

THE TECHNICAL MATERIEL CORPORATION claims proprietary right in the material disclosed herein. This drawing is issued in confidence for engineering information only and may not be reproduced or used to manufacture anything shown herein without permission from THE TECHNICAL MATERIEL CORPORATION to the user. This drawing is loaned for mutual assistance and is subject to recall at any time.

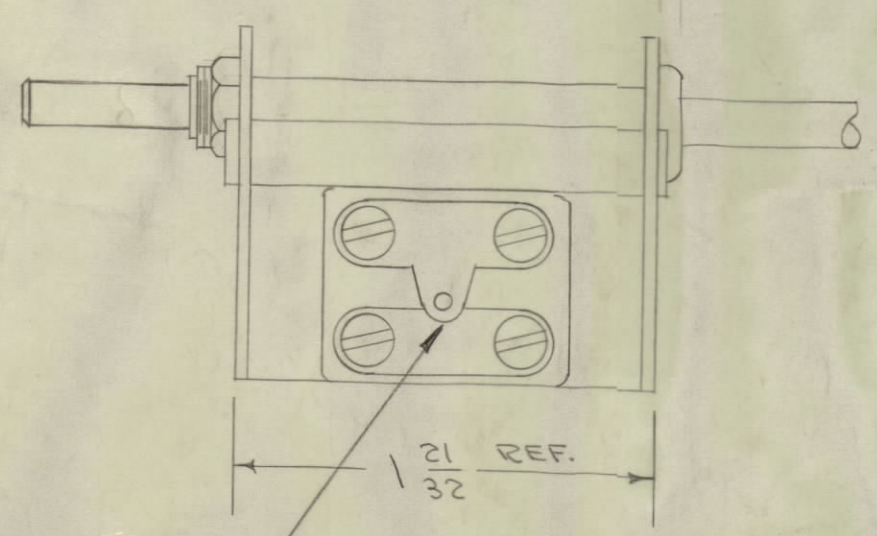
Property of:
THE TECHNICAL MATERIEL CORPORATION
MAMARONECK, NEW YORK

| % ROTATION | 21 PLATE |
|------------|----------|
| 0 | 0 |
| 10 | 4.7 |
| 20 | 14.3 |
| 25 | 19.8 |
| 30 | 26.1 |
| 40 | 41.7 |
| 50 | 63.9 |
| 60 | 95.4 |
| 70 | 136.1 |
| 75 | 158.5 |
| 80 | 181.4 |
| 90 | 226.7 |
| 100 | 270.0 |
| MIN | 12.5 |

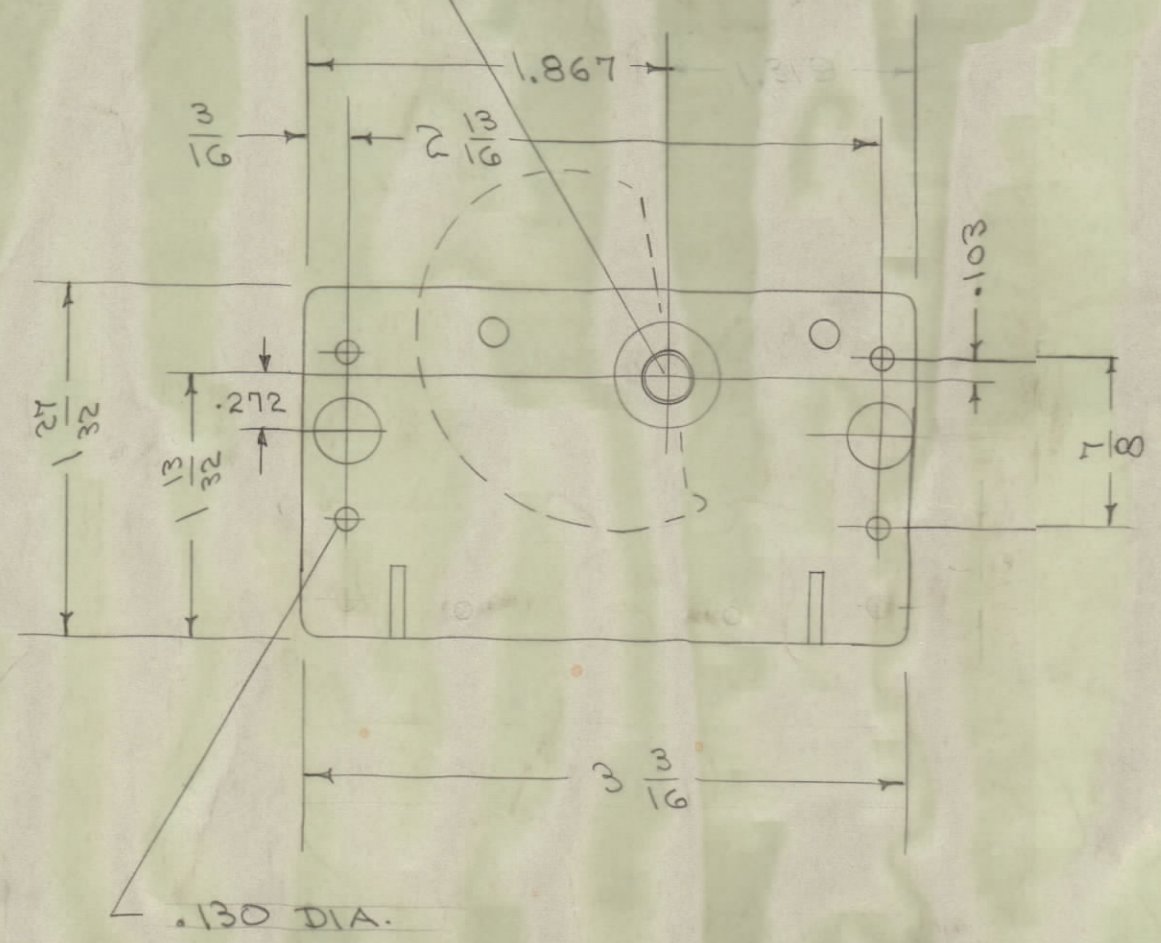


1.250 R.
MAX. SWING

STANDARD SHORT LUGS
DOUBLE CONTACT THIS SIDE



STANDARD SHORT LUGS
SINGLE CONTACT THIS SIDE



STANDARD LOW END PLATES

CB-128 D

SERIES 17 - TYPE K
1 SECTION
COUNTERCLOCK WISE ROTATION FOR MAX. CAP
CERAMIC STATOR INSULATION

SECTION
STEEL ROTOR PLATES - 11
STEEL STATOR PLATES - 10
AIR GAP - .0235
MAX. CAP. - APPROX. 282
CAP. TOL.: ACCORDING TO RADIO COND. CORP. SPECIFICATIONS.

ROTOR SHAFT - COLD ROLLED STEEL
1/8" LONG X 1/4" DIA.
1/8" " X 1/4" "
WIPERS - SPRING BRASS - POS. AS SHOWN,
AND SOLDER TO END PLATES
FINISH - ALL PARTS - CADMIUM PLATE

5401-51
REF.: 5401-131

| ITEM NO. | SHAFT LENGTH DIM. (in.) | SOLE | QUANTITY |
|----------|-------------------------|------|----------|
| CB-128-1 | 4 7/8 | RT | 1 |
| CB-128-2 | 5/16 | REC | 1 |
| CB-128-3 | 7/16 | REC | 1 |
| CB-128-4 | 7/16 | REC | 1 |

| ISSUE ITEM | CHANGED FROM | DATE | CN. NO. | DRAFTS | CHECKER | ENG. APP. |
|------------|---|----------|---------|--------|-------------|-------------|
| D | 1010:169, 2, 5401-131 DIM. 1.867 ADDED | 11/23/65 | 15 | 86 | F.V. | [Signature] |
| C | 2 HOLES DELETED 1 3/32 DIM. DELETED | 6/20/57 | 3 | 80 | [Signature] | [Signature] |
| B | 1 WIPERS REWELDED | 4/8/60 | 2 | 68 | [Signature] | [Signature] |
| A | 1 % ROTATION MIN. WAS 100 | 11/19/67 | 1 | 65 | [Signature] | [Signature] |

TOLERANCES
DEC. DIM. ± .010
FRAC. DIM. ± 1/64
ANGULAR DIM. ±

SCALE:
DRILL PUNCH, COMMERCIAL STOCK
SIZES AND MANUFACTURERS
TOLERANCES ARE NOT INCLUDED.

| REQ. PER UNIT | MODEL | PROJECT NO. | ASS'Y. NO. | DATE |
|---------------|---------------|-------------|------------|----------|
| 1 | TRTF-2 | MULT | | 12-9-58 |
| 1 | GPT-750 (RTF) | | | 10-27-55 |

| REQ. ITEM | PART NO. | DESCRIPTION | SYMBOL |
|--|----------|--------------------|--------|
| THE TECHNICAL MATERIEL CORP. MAMARONECK, NEW YORK | | | |
| CONDENSER, VARIABLE AIR | | | |
| GPT-750 | | | |
| MATERIAL | | WEIGHT PER PC. | |
| TYPE & TEMPER | | | |
| HEAT TREAT. SPEC. | | FINISH & SPEC. NO. | |

DRAWN: CDD
CHECKED: [Signature]
ELEC. DES. APP.: O.S.P.
MECH. DES. APP.: A.J.J.
FINAL APPROVAL: [Signature]

CB-128 D