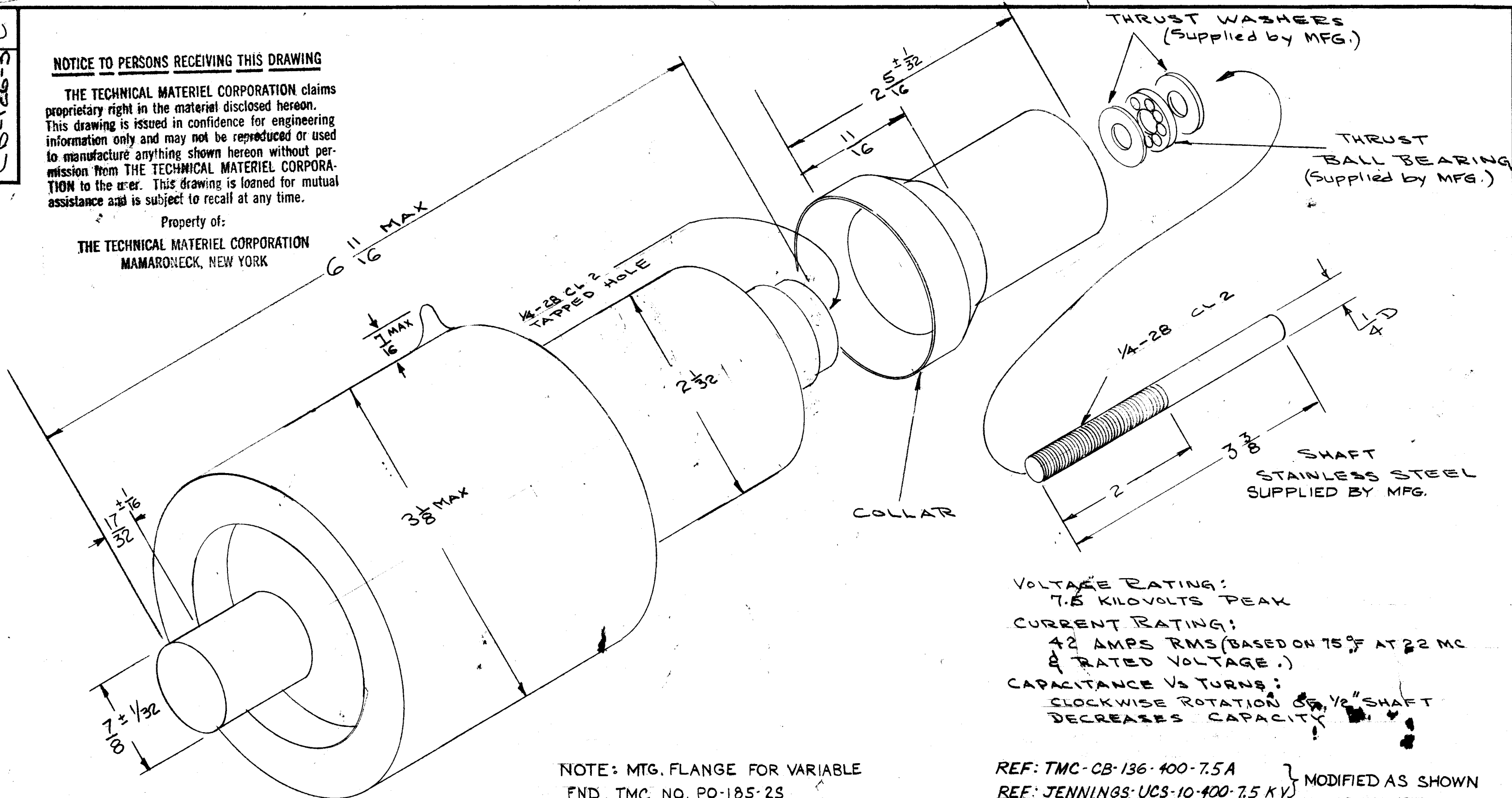


CB-126-3 C

**NOTICE TO PERSONS RECEIVING THIS DRAWING**

THE TECHNICAL MATERIEL CORPORATION claims proprietary right in the material disclosed hereon. This drawing is issued in confidence for engineering information only and may not be reproduced or used to manufacture anything shown hereon without permission from THE TECHNICAL MATERIEL CORPORATION to the user. This drawing is loaned for mutual assistance and is subject to recall at any time.

Property of:  
**THE TECHNICAL MATERIEL CORPORATION**  
 MAMARONECK, NEW YORK



VOLTAGE RATING:  
 7.5 KILOVOLTS PEAK

CURRENT RATING:  
 42 AMPS RMS (BASED ON 75°F AT 22 MC & RATED VOLTAGE.)

CAPACITANCE VS TURNS:  
 CLOCKWISE ROTATION OF 1/2" SHAFT DECREASES CAPACITY

NOTE: MTG. FLANGE FOR VARIABLE END, TMC NO. PO-185-2S (PURCHASE AS SEPARATE ITEM).

REF: TMC-CB-136-400-7.5A } MODIFIED AS SHOWN  
 REF: JENNINGS-UCS-10-400-7.5 KV }

C	2	DIM. 17/32 ± 1/32 WAS 9/16	11-9-61	5815	GDL		
	1	ON TOL. CHART ± 1/32 ADDED					
B	3	TMC REF NO. ADDED					
	2	NOTE ADDED	5-12-61	486*	MDF	JCS	
	1	TO BE SUPPLIED BY MFG. NOTE DELETED					
A	1	Mfg. No. Corrected	9/7/57	1	SC.	JWE	
ISSUE	ITEM	CHANGED FROM	DATE	CH. NO.	DRAFTS	CHECKER	ENG. APP.
TOLERANCES		SCALE: $\frac{1}{32}$					
DEC. DIM. ±		MAXIMUM ALLOWABLE TOLERANCES HAVE BEEN DETERMINED AND ANY DEVIATIONS WILL BE CAUSE FOR REJECTION.					
FRAC. DIM. ±		REMOVE ALL BURRS AND SHARP EDGES					
ANGULAR DIM. ±							

1	RTF-2	AM-108	A-1569	12-5-58
1	RTF	AM-108	A-1569	4-12-57
REQ. PER UNIT	MODEL	PROJECT NO.	ASS'Y. NO.	DATE
USED ON				

REQ. ITEM	PART NO.	DESCRIPTION	SYMBOL
THE TECHNICAL MATERIEL CORP. MAMARONECK, NEW YORK			
STOCK SIZE			
CAPACITOR, VARIABLE			
MATERIAL			
VACUUM GPT-750			
TYPE & TEMPER		HEAT TREAT. SPEC.	FINISH & SPEC. NO.
DRAWN		CHECKED	FINAL APPROVAL
ELEC.		MECH. DES. APP.	

A.I.J.  
 A.I.J.  
 GB-126-3 C