

IF IT IS FOUND DESIRABLE TO CHANGE ANY TOLERANCE OR OTHER DETAIL SPECIFIED ON THIS DRAWING NOTIFY THE PURCHASER PROMPTLY.

MAXIMUM ALLOWABLE TOLERANCES HAVE BEEN DETERMINED AND DEVIATIONS WILL BE CAUSE FOR REJECTION. REMOVE ALL BURRS AND SHARP EDGES

**NOTICE TO PERSONS RECEIVING THIS DRAWING**

THE TECHNICAL MATERIEL CORPORATION claims proprietary right in the material disclosed hereon. This drawing is issued in confidence for engineering information only and may not be reproduced or used to manufacture anything shown hereon without permission from THE TECHNICAL MATERIEL CORPORATION to the user. This drawing is loaned for mutual assistance and is subject to recall at any time.

Property of:  
THE TECHNICAL MATERIEL CORPORATION  
MAMARONECK, NEW YORK

A  
CB-107

MFG. RADIO COND. CORP.

# CN 819089

SERIES - 319

FREQ. DIST. CURVE - C

AIR GAP - .018

PLATES - ALUMINUM

SECTIONS - 3

19 PLATES PER SECTION

3 WIPERS

BAKELITE STATOR INSULATION

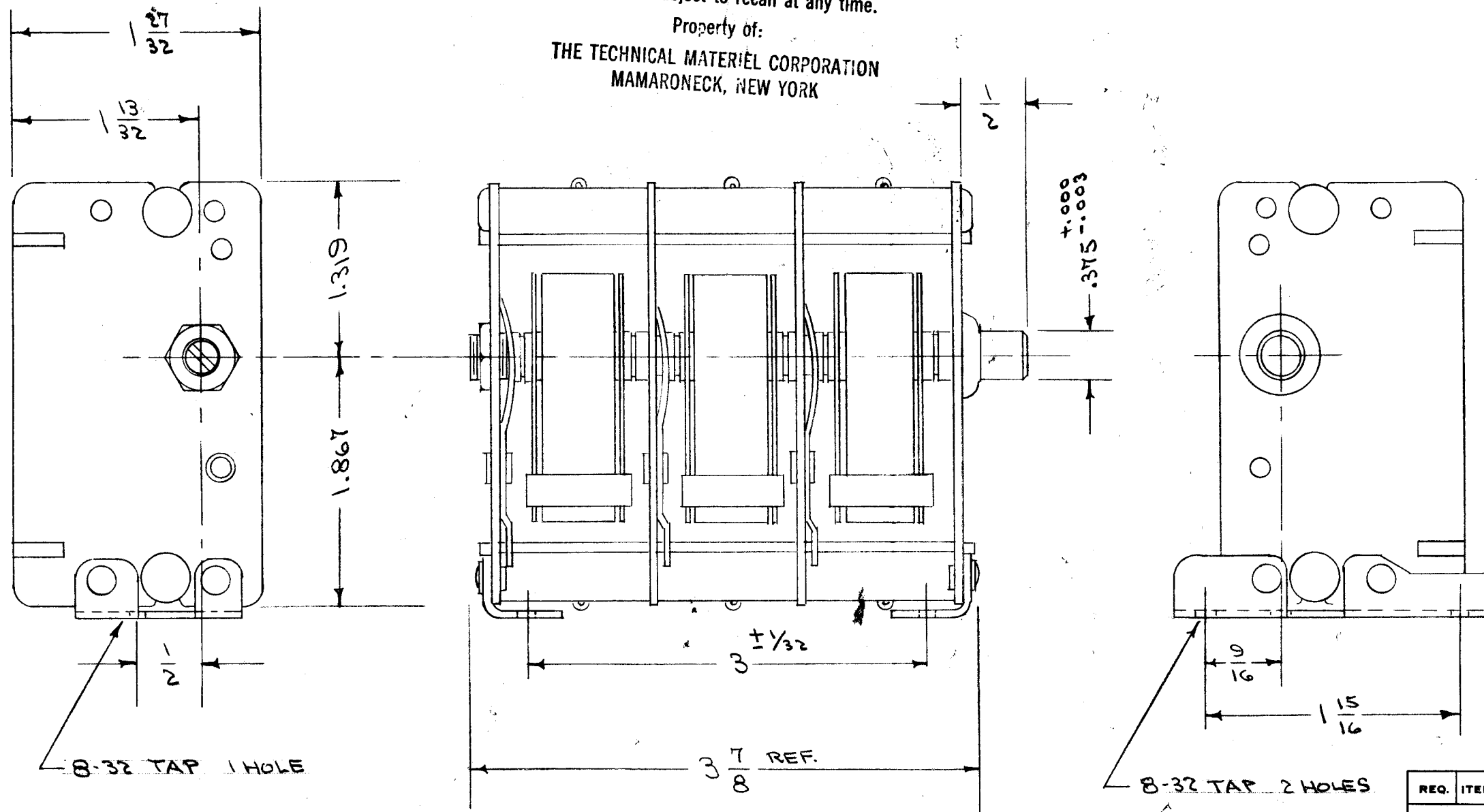
CAP. INC. COUNTERCLOCKWISE

SHORT FRAME

BRACKETS AS SHOWN  
BURNOUT - 550 V. AC.  
SHORT LUGS

% ROT.	C
0	0
10	6.0
20	20.6
25	30.0
30	41.0
40	69.1
50	106.7
60	153.0
70	205.7
75	232.4
80	258.8
90	312.1
100	361.8
MIN.	10.9

SERIES 319 TYPE C



% ROTATION	CALIBRATION SPEC.					
	SHAFT UNIT		2 <sup>ND</sup> UNIT		3 <sup>RD</sup> UNIT	
	CAP.	TOL. $\pm$	CAP.	TOL. $\pm$	CAP.	TOL. $\pm$
0	0	0	0	0	0	0
10						
25	30.0	1.3	30.0	1.1	30.0	1.1
50	106.7	2.0	106.7	1.5	106.7	1.5
75	232.4	3.3	232.4	2.2	232.4	2.2
95						
100	361.8	4.6	361.8	2.8	361.8	2.8
	CURVE		ALIGN		ALIGN	

REQ. ITEM	PART NO.	DESCRIPTION	SYMBOL
#		THE TECHNICAL MATERIEL CORP.	
		MAMARONECK, NEW YORK	
#	#	CAPACITOR, VARIABLE	
		AIR TUNING	
		C.D.D. 6-25-SA	
		DRAWN	
		CHECKED	
		FINAL APPROVAL	
			CB-107

ISSUE	ITEM	CHANGED FROM	DATE	CN. NO.	DRAFTS	CHECKER	ENG. APP.
A	1	ALUM. PLATES WERE STEEL CAP. PLATED	8-22-54	1	SC.		

TOLERANCES	SCALE:
ALL OTHERS DEC. DIM. $\pm$ FRAC. DIM. $\pm$ ANGULAR DIM. $\pm$	DRILL, PUNCH, COMMERCIAL STOCK SIZES AND MANUFACTURERS TOLERANCES ARE NOT INCLUDED.

REQ. PER UNIT	MODEL	PROJECT NO.	ASS'Y. NO.	DATE
1	XFK		A-689	6-22/54

USED ON