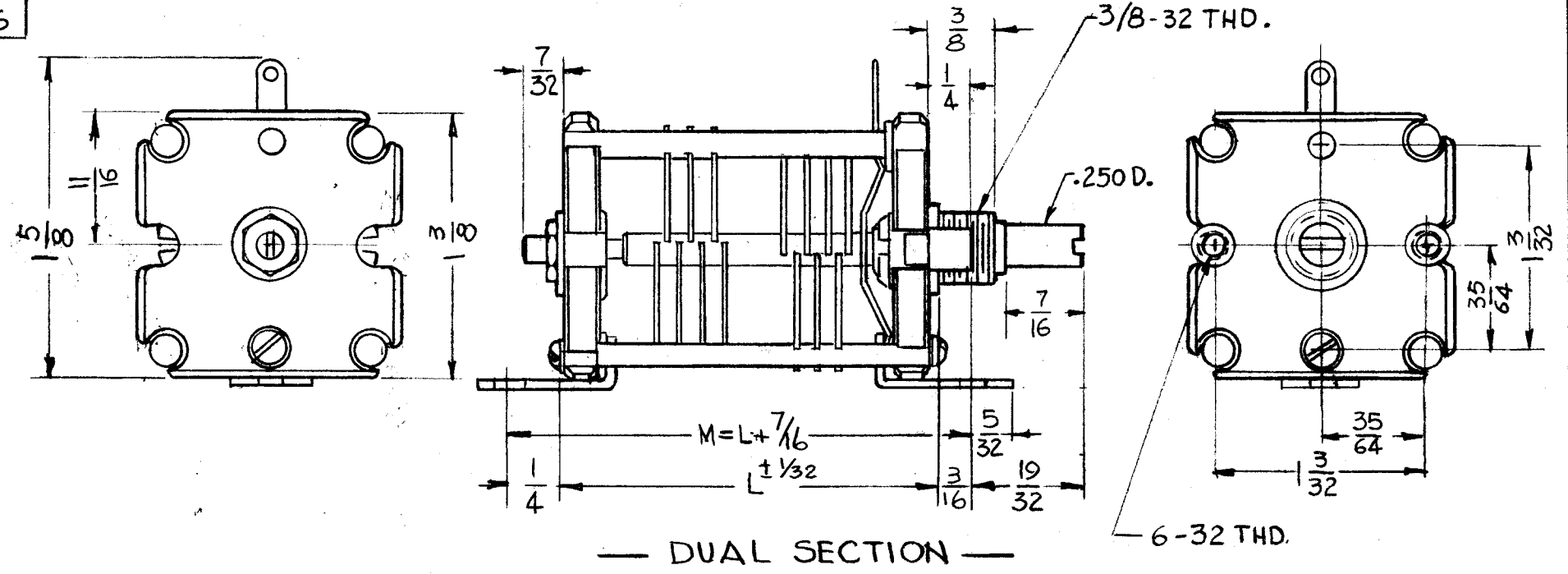


G
CB 103

THE CONTENTS OF THIS DRAWING ARE THE EXCLUSIVE PROPERTY OF THE TECHNICAL MATERIEL CORP. ITS UNAUTHORIZED USE OR REPRODUCTION IN WHOLE OR IN PART IS STRICTLY FORBIDDEN.

TMC PART NO.	CATALOG NO	PART NO	NOM. CAP. PER SECT.		SPACING	NO PLATES	L
			MAX.	MIN.			
CB103-1	25LD15	167-501	24.5	5.6	.030	14	1 5/8
CB103-2	50LD15	167-502	46	6.9	.030	26	2 15/64
CB103-3	100LD15	167-503	89	9.6	.030	50	3 7/16



NOTICE TO PERSONS RECEIVING THIS DRAWING

THE TECHNICAL MATERIEL CORPORATION claims proprietary right in the material disclosed hereon. This drawing is issued in confidence for engineering information only and may not be reproduced or used to manufacture anything shown hereon without permission from THE TECHNICAL MATERIEL CORPORATION to the user. This drawing is loaned for mutual assistance and is subject to recall at any time.

Property of:
THE TECHNICAL MATERIEL CORPORATION
MAMARONECK, NEW YORK

NOTE

END PLATE - 3/16 STEATITE, 1 3/8 SQUARE
STATOR PLATES, ROTOR PLATES AND TIE RODS + SHAFT - BRASS, NICKEL PL.
CONTACT - BERYLLIUM COPPER SILVER PLATED

2 TERMINAL LUGS

DIM. FOR REF. ONLY
S401-47

G	ADD MFG. P/N. DELE JOHNSON CO. REV. CAP. PER. SEC. COL.	2-10-61	17818	RME	<i>[Signature]</i>	
F	M=L+7/16 WAS. M=L+1/4. 3/16 DIM. ADDED	9-3-63	9779	HR	<i>[Signature]</i>	
E	REDRAWN & REVISED	12-4-62	7705	G.D.L.	<i>[Signature]</i>	
SYM	DESCRIPTION	DATE	CH. NO.	DRAFTS	CHECKER	ENG. APP.

UNLESS OTHERWISE SPECIFIED:
DIMENSIONS ARE IN INCHES
TOLERANCES ON FRACTIONS ± 1/64 DECIMALS ± .005 ANGLES ± 1/2°

SCALE: DO NOT SCALE

MAXIMUM ALLOWABLE TOLERANCES HAVE BEEN DETERMINED AND ANY DEVIATIONS WILL BE CAUSE FOR REJECTION.
REMOVE ALL BURRS AND SHARP EDGES

REQ. PER UNIT	MODEL	SECTION	ASSY. NO.	DATE
1	XFK		A-679	12-4-62
USED ON				

REQ. ITEM	PART NO.	DESCRIPTION	SYMBOL
—//—		THE TECHNICAL MATERIEL CORP, MAMARONECK, NEW YORK	
—//—		STOCK SIZE	
—//—		SEE NOTE	
—//—		MATERIAL	
—//—		TUNING	
—//—		G.D.L.	<i>[Signature]</i>
—//—		TYPE & TEMPER	
—//—		HEAT TREAT. SPEC.	
—//—		DRAWN	<i>[Signature]</i>
—//—		CHECKED	<i>[Signature]</i>
—//—		FINAL APPROVAL	<i>[Signature]</i>
—//—		SEE NOTE	
—//—		FINISH & SPEC. NO.	
—//—		ELEC. DES. APP.	
—//—		MECH. DES. APP.	
		CB 103	G