

THE CONTENTS OF THIS DRAWING ARE THE EXCLUSIVE PROPERTY OF THE TECHNICAL MATERIEL CORP. ITS UNAUTHORIZED USE OR REPRODUCTION IN WHOLE OR IN PART IS STRICTLY FORBIDDEN.

REQ. PER UNIT

1

MODEL

CAB - 5

USED ON

ASBY. NO.

DATE

1-13-62

CAB-5

SPECIFICATIONS

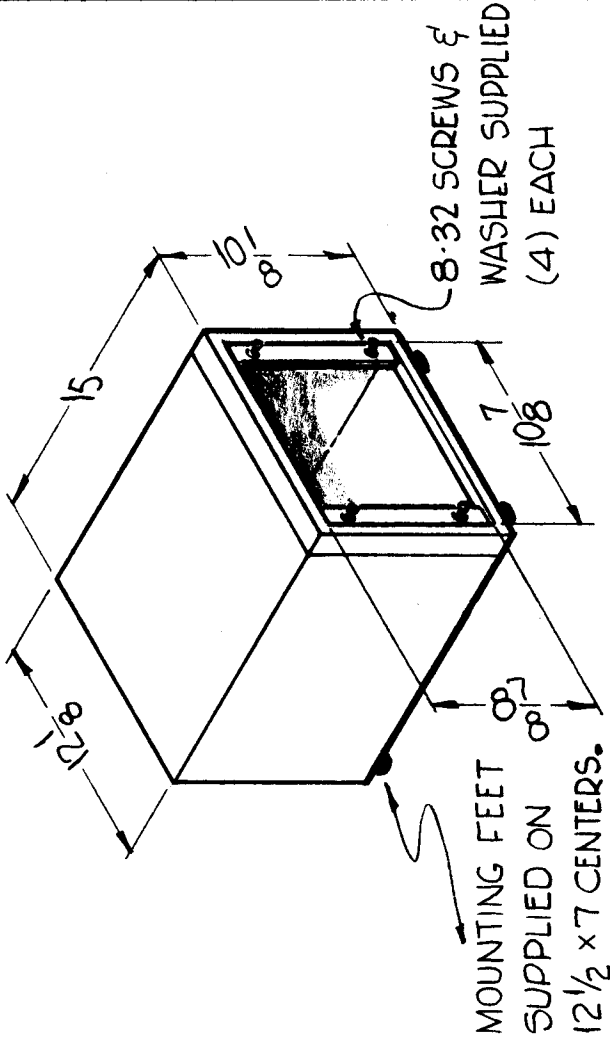
OVER ALL DIM.- $12\frac{1}{8} \times 15 \times 10\frac{1}{8}$
 CABINET MATERIAL - Cold Rolled Steel
 CABINET FINISH - RCAF Gray Wrinkle
 PANEL MTG. - UNIVERSAL SPACING
 PANEL SIZE - $10\frac{3}{4} \times 8\frac{3}{4}$
 MTG. DIM. - $12\frac{1}{2} \times 7$

NOTICE TO PERSONS RECEIVING THIS DRAWING

THE TECHNICAL MATERIEL CORPORATION claims proprietary rights in the material disclosed herein. This drawing is to be used in confidence and no copy or information is to be divulged or used to manufacture any part shown hereon without permission from THE TECHNICAL MATERIEL CORPORATION. This drawing and its contents are loaned for mutual assistance and is subject to recall at any time.

Property of:

THE TECHNICAL MATERIEL CORPORATION
 MAMARONECK, NEW YORK



REQ. ITEM	PART NO.	DESCRIPTION	SYMBOL
		THE TECHNICAL MATERIEL CORP. MAMARONECK, NEW YORK	
		CABINET, ELECTRICAL EQUIPMENT	
		STOCK SIZE	
		MATERIAL	
		DRAWN	
		CHECKED	
		TYPE & TEMPER HEATTREAT. SPEC.	
		FINISH & SPEC. NO.	

SYM	DESCRIPTION	DATE	CH. NO.	DRAFTS	CHECKER	ENG. APP.
UNLESS OTHERWISE SPECIFIED: DIMENSIONS ARE IN INCHES TOLERANCES ON FRAC. $\pm 1/64$ DEC. $\pm .008$ ANGLES $\pm 1/20$						
SCALE: A-2288 MAXIMUM ALLOWABLE TOLERANCES HAVE BEEN DETERMINED AND ANY DEVIATIONS WILL BE CAUSE FOR REJECTION. REMOVE ALL BURRS AND SHARP EDGES						