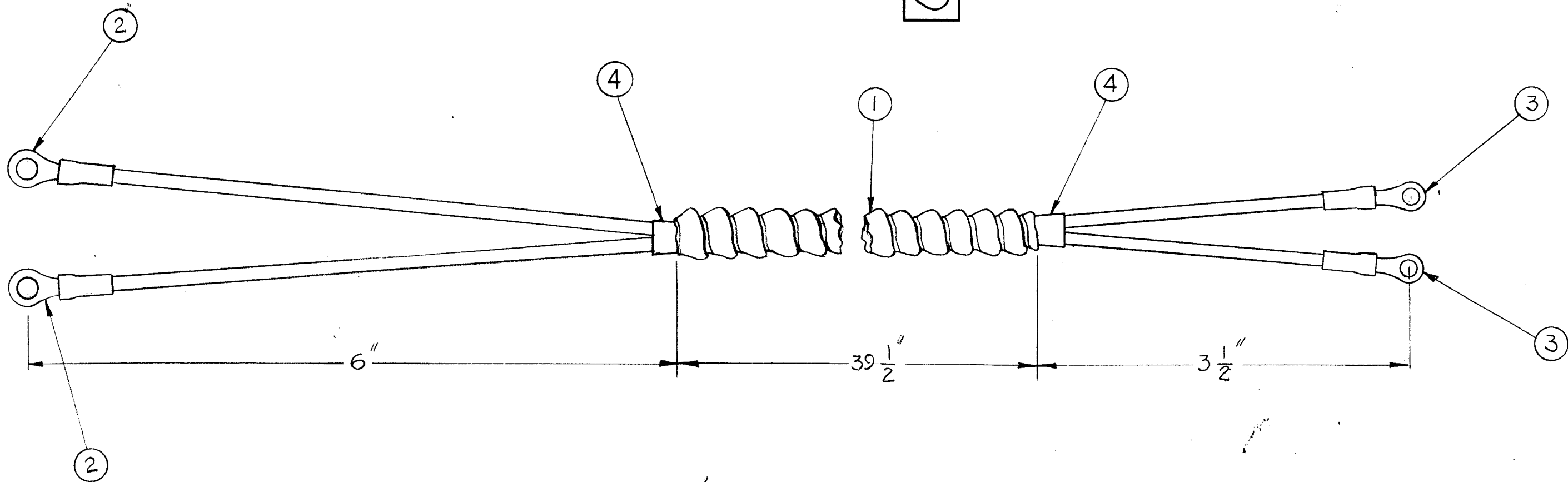


CA-849  $\phi$

REVISIONS

SYM	DESCRIPTION	DATE	E.M.N. NO.	DRAFT	CHKD	APPD
$\phi$	ORIGINAL RELEASE FOR PRODUCTION	7/16/69		0		



X	4	TA-100-1	TAPE, VINYL PLASTIC	
	2	TE-159-32957	LUG, SOLDERLESS	
	2	TE-159-34161	LUG, SOLDERLESS	
	49"	WI-138-1	CABLE, ARMORED	
REQ'D.	ITEM	PART NUMBER	DESCRIPTION	SYMBOL

LIST OF MATERIAL

MATERIAL	THE TECHNICAL MATERIEL CORP. MAMARONECK, NEW YORK			
FINISH	TITLE CABLE ASSY, OVEN SUPPLY			
UNLESS OTHERWISE SPECIFIED DIMENSIONS ARE IN INCHES AND INCLUDE CHEMICALLY APPLIED OR PLATED FINISHES		DRAWN G.D.L.	DATE 11-6-63	FINAL APPROVAL <i>[Signature]</i>
		CHECKED	DATE	DATE 7/16/69
DECIMALS .X ± .05 .XX ± .01 .XXX ± .005		ELECT. DES. <i>[Signature]</i>		DATE
FRACTIONS ± 1/64 ANGLES ± 0° 30'		MECH. DES. HVC		DATE
TOLERANCES		SHEET		REV. LTR. $\phi$

1	GPT-10K	
Q'TY./UNIT	MODEL USED ON	ASS'Y. NO.
SCALE 1:1	CODE	
THE CONTENTS OF THIS DRAWING ARE THE EXCLUSIVE PROPERTY OF THE TECHNICAL MATERIEL CORP. ITS UNAUTHORIZED USE OR REPRODUCTION IN WHOLE OR IN PART IS STRICTLY FORBIDDEN.		

NOTES