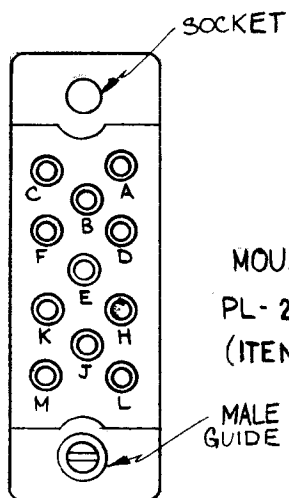


CA-668

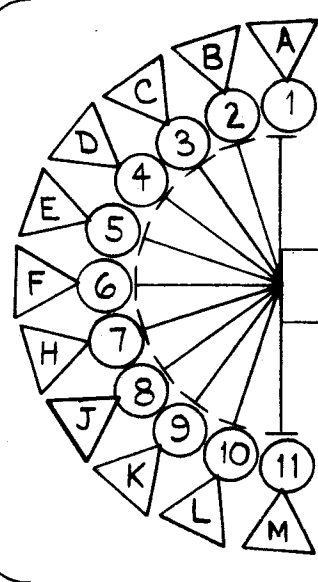
THE CONTENTS OF THIS DRAWING ARE THE EXCLUSIVE PROPERTY OF THE TECHNICAL MATERIEL CORP. ITS UNAUTHORIZED USE OR REPRODUCTION IN WHOLE OR IN PART IS STRICTLY FORBIDDEN.



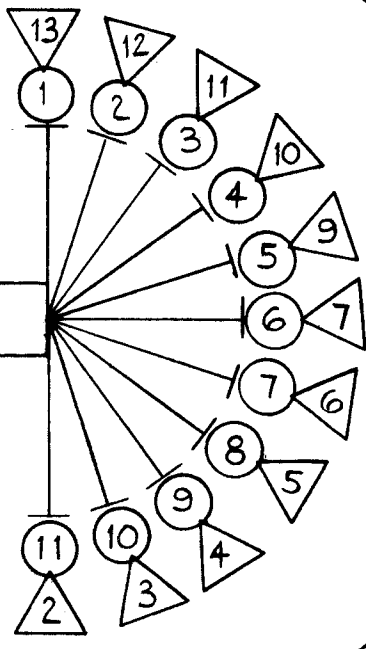
MOUNT IN PL-225-3P (ITEM 13)

PIN DETAIL OF PL-225-3P (TOP VIEW)

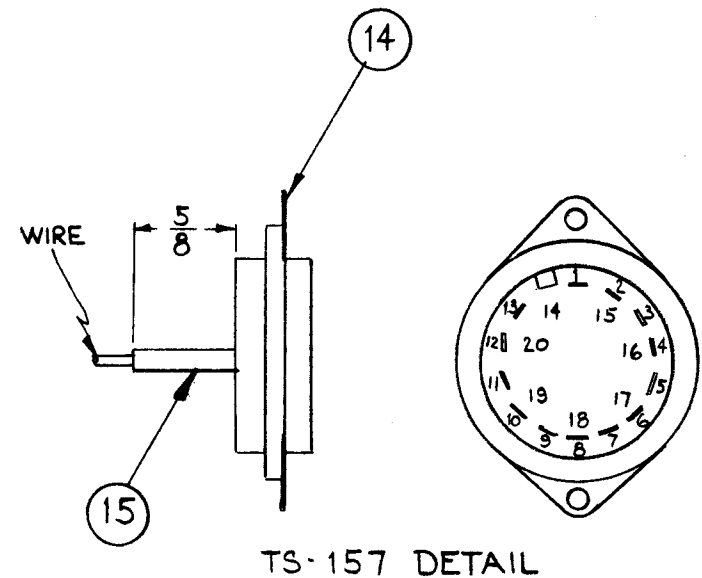
NOTE: WHEN RE-ASSEMBLING, MALE GUIDE PIN IS TO LOCATED BETWEEN PINS "M" & "L".



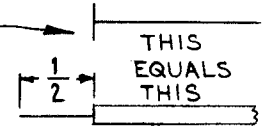
12



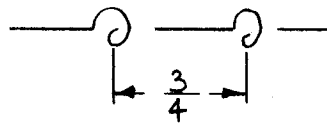
MOUNT IN TS-157 (ITEM 14)



THIS SYMBOL DENOTES END OF INSULATION & NAIL DRIVING POINT WIRE MUST BE STRIPPED 1/2" BEYOND THIS POINT & TINNED 3/8" UNLESS OTHERWISE SPECIFIED.



WIRES SHOULD BE PLACED IN CABLE IN NUMERICAL SEQUENCE AS THEY APPEAR IN ITEM COLUMN. SPACE LACING APPROX. 3/4" APART.



SYMBOL NOTES-

- DENOTES ITEM N^oS.
- △ DENOTES PIN N^oS.

NOTICE TO PERSONS RECEIVING THIS DRAWING

THE TECHNICAL MATERIEL CORPORATION claims proprietary right in the material disclosed hereon. This drawing is issued in confidence for engineering information only and may not be reproduced or used to manufacture anything shown hereon without permission from THE TECHNICAL MATERIEL CORPORATION to the user. This drawing is loaned for mutual assistance and is subject to recall at any time.

Property of:
THE TECHNICAL MATERIEL CORPORATION
MAMARONECK, NEW YORK

X	16	BS-100	SOLDER, SOFT	
6 7/8"	15	PX-100-1-.085	SLEEVING, INSULATION	BLACK
1	14	TS-157	SOCKET, EL TUBE	XDS 3002, 4, 5, 6
1	13	PL-225-3P	CONNECTOR PLUG, 11 PIN	P3002, 3, 4, 5
X	12	CD-101-1-MW	CORD LACING	BLACK
6 3/4"	11	MWC 24(7)U92	WIRE, ELECTRICAL	WH/RED
6 3/4"	10		0	BLACK
6 3/4"	9		9	WHITE
6 3/4"	8		8	GREY
6 3/4"	7		7	VIOLET
6 3/4"	6		6	BLUE
6 3/4"	5		5	GREEN
6 3/4"	4		4	YELLOW
6 3/4"	3		3	ORANGE
6 3/4"	2		2	RED
6 3/4"	1	MWC 24(7)U 1	WIRE, ELECTRICAL	BROWN

REQ. ITEM	PART NO.	J. STRUMMER DESCRIPTION	SYMBOL
THE TECHNICAL MATERIEL CORP. MAMARONECK, NEW YORK			
CABLE, DIGITAL READOUT INDICATOR (11 WIRE).			
MATERIAL			
TYPE & TEMPER		HEAT TREAT. SPEC.	FINISH & SPEC. NO.
DRAWN		CHECKED	FINAL APPROVAL
ELEC. DES. APP.		MECH. DES. APP.	CA-668

A	REV DESCRIPTION IT. 14	8/24/77	20797	GE	EL	EL
SYM	DESCRIPTION	DATE	CH. NO.	DRAFTS	CHECKER	ENG. APP.
UNLESS OTHERWISE SPECIFIED:		SCALE:				
DIMENSIONS ARE IN INCHES		MAXIMUM ALLOWABLE TOLERANCES HAVE BEEN DETERMINED AND ANY DEVIATIONS WILL BE CAUSE FOR REJECTION.				
TOLERANCES ON FRACTIONS ± 1/64		DECIMALS ± .005				
ANGLES ± 1/2°		REMOVE ALL BURRS AND SHARP EDGES				
4	HFS-1					8-15-62
REQ. PER UNIT	MODEL	SECTION	ASSY. NO.	DATE	USED ON	