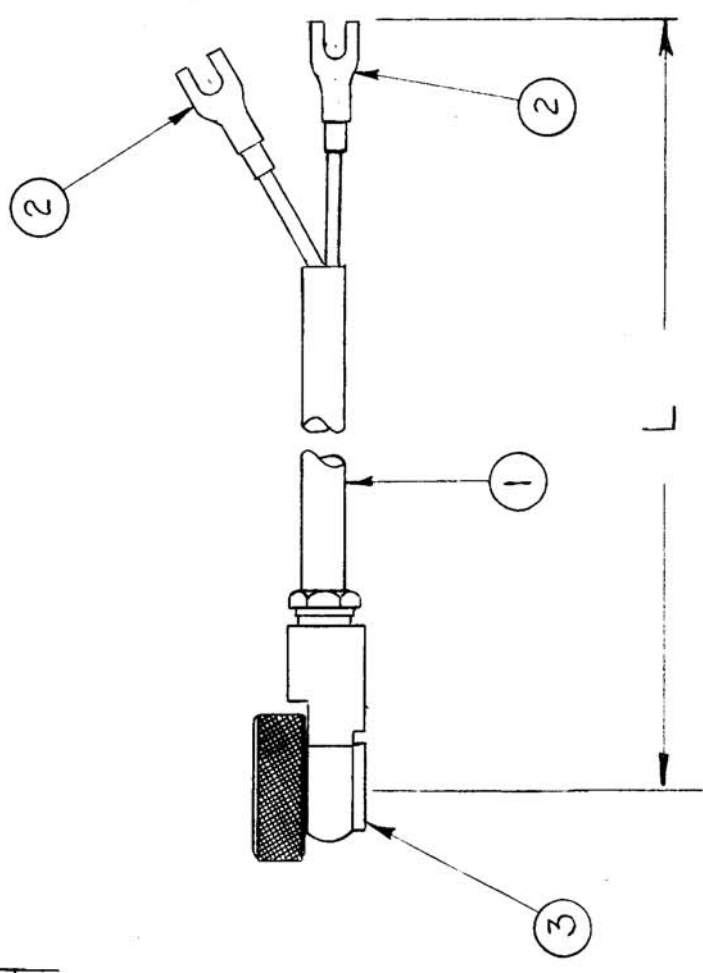


REQ. PER UNIT	2	MODEL	TER-25K-30	DATE	9-27-61
USED ON	ASBY. N.	CA-646			

TMC PART NO.	ITEM 1	ITEM 2	ITEM 3	L
CA-646-1	RG-58/U	TE-120-2	PL-192	27"
CA-646-2	RG-58/U	TE-120-2	PL-192	22"
CA-646-3	RG-58/U	NONE	PL-192	70"



REG. ITEM	PART NO.	DESCRIPTION	SYMBOL
		THE TECHNICAL MATERIEL CORP.	
		MAMARONECK, NEW YORK	
		CABLE, R.F.	
ISSUE ITEM	CHANGED FROM	DATE	CH. NO.
TOLERANCES			
DEC. DIM. ±	MAXIMUM ALLOWABLE TOLERANCES HAVE BEEN DETERMINED AND ANY DEVIATIONS WILL BE CAUSE FOR REJECTION.		
FRAC. DIM. ±	REMOVE ALL BURRS AND SHARP EDGES		
ANGULAR DIM. ±			
SCALE:	DATE	CH. NO.	DRAFTS
			CHECKER
			ENG. APP.
G.O.L.	D.G. [Signature]	ZB/ [Signature]	FINAL APPROVAL
DRAWN	AA	CHECKED	CA-646
ELEC. DES. APP. MECH. DES. APP.			