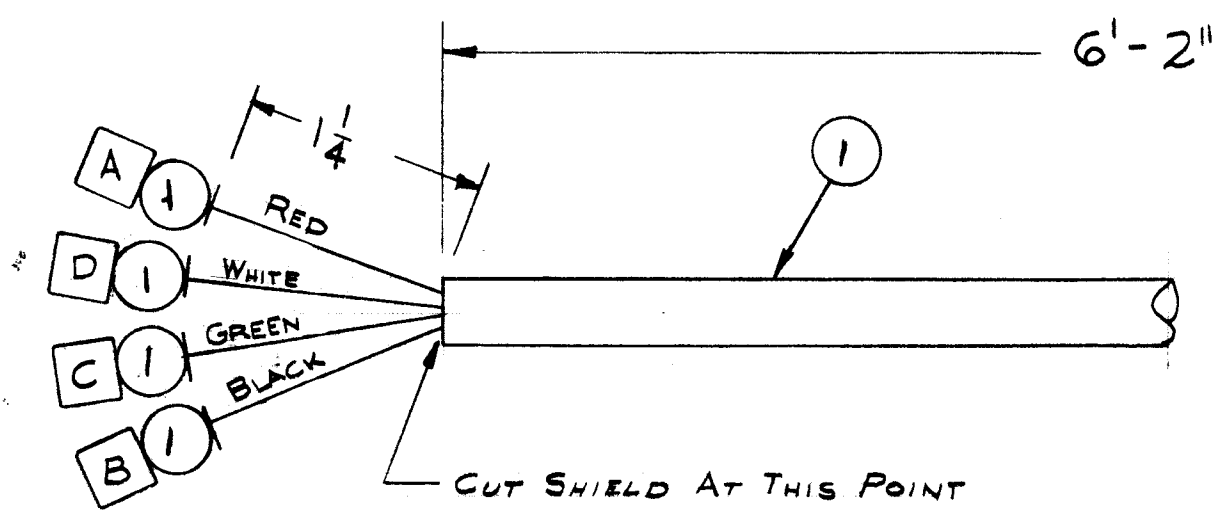


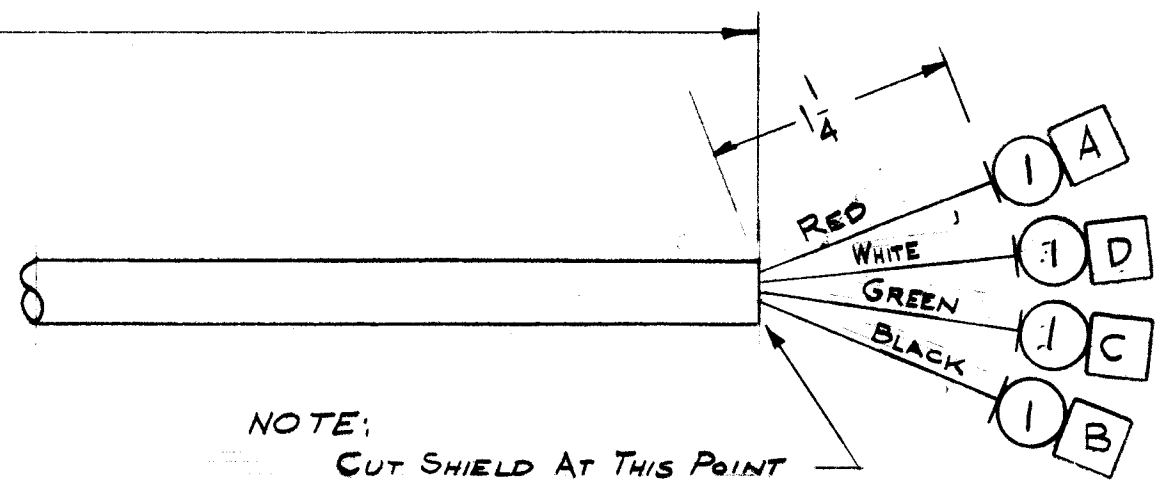
CA-510

ITEM 5

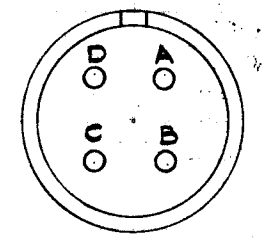
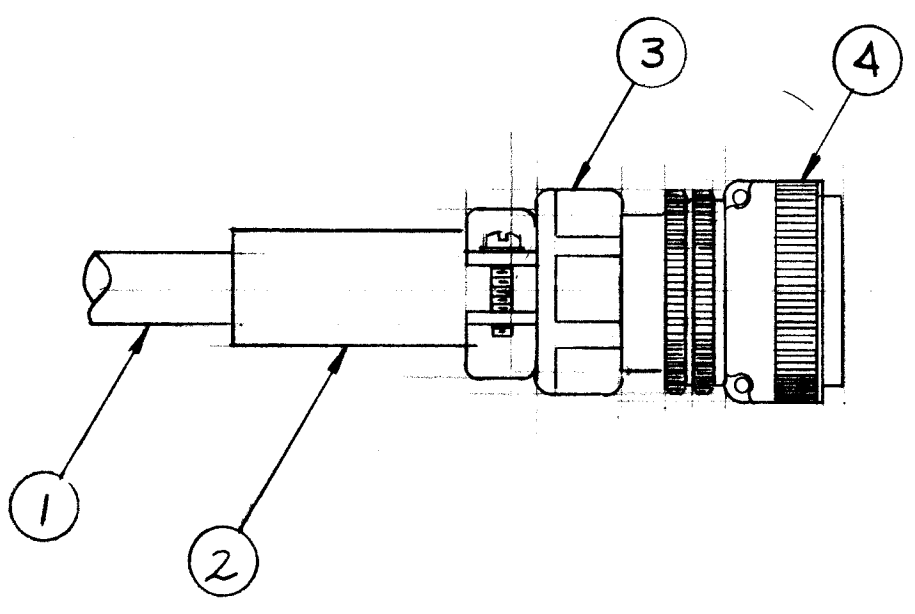


CUT PAPER ON THIS LINE AND LENGTHEN TO 6'-2"

ITEM 4



NOTE: CUT SHIELD AT THIS POINT



NOTICE TO PERSONS RECEIVING THIS DRAWING

THE TECHNICAL MATERIEL CORPORATION claims proprietary right in the material disclosed hereon. This drawing is issued in confidence for engineering information only and may not be reproduced or used to manufacture anything shown hereon without permission from THE TECHNICAL MATERIEL CORPORATION to the user. This drawing is loaned for mutual assistance and is subject to recall at any time.

Property of:
THE TECHNICAL MATERIEL CORPORATION
MAMARONECK, NEW YORK

ISSUE	ITEM	CHANGED FROM	DATE	CH. NO.	DRAFTS	CHECKER	ENG. APP.
TOLERANCES		SCALE:					
DEC. DIM. ±		MAXIMUM ALLOWABLE TOLERANCES HAVE BEEN DETERMINED AND ANY DEVIATIONS WILL BE CAUSE FOR REJECTION: REMOVE ALL BURRS AND SHARP EDGES					
FRAC. DIM. ±							
ANGULAR DIM. ±							

REQ. PER UNIT	MODEL	PROJECT NO.	ASSY. NO.	DATE
1	RAK-9			1-27-60
USED ON				

11				
10				
9				
8				
7				
6				
1	5	MS3106A1A52P	CONNECTOR PLUG	
1	4	MS3106A1A525	CONNECTOR PLUG	
2	3	MS3057-6	CABLE, CLAMP	
2	2	MS3420-6A	BUSHING, TELESCOPING	
77	1	WI-130-4-18-77	CABLE CONDUCTOR SHIELDED	
REQ. ITEM	PART NO.		DESCRIPTION	SYMBOL
STOCK SIZE			THE TECHNICAL MATERIEL CORP. MAMARONECK, NEW YORK	
MATERIAL			INTERCONNECT CABLE	
			RF OUTPUT TO SWR OR ATS-2	
TYPE & TEMPER		HEATTREAT. SPEC.	DRAWN	CHECKED
			P.A.	
FINISH & SPEC. NO.		ELEC. DES. APP		MECH. DES. APP
				CA-510