

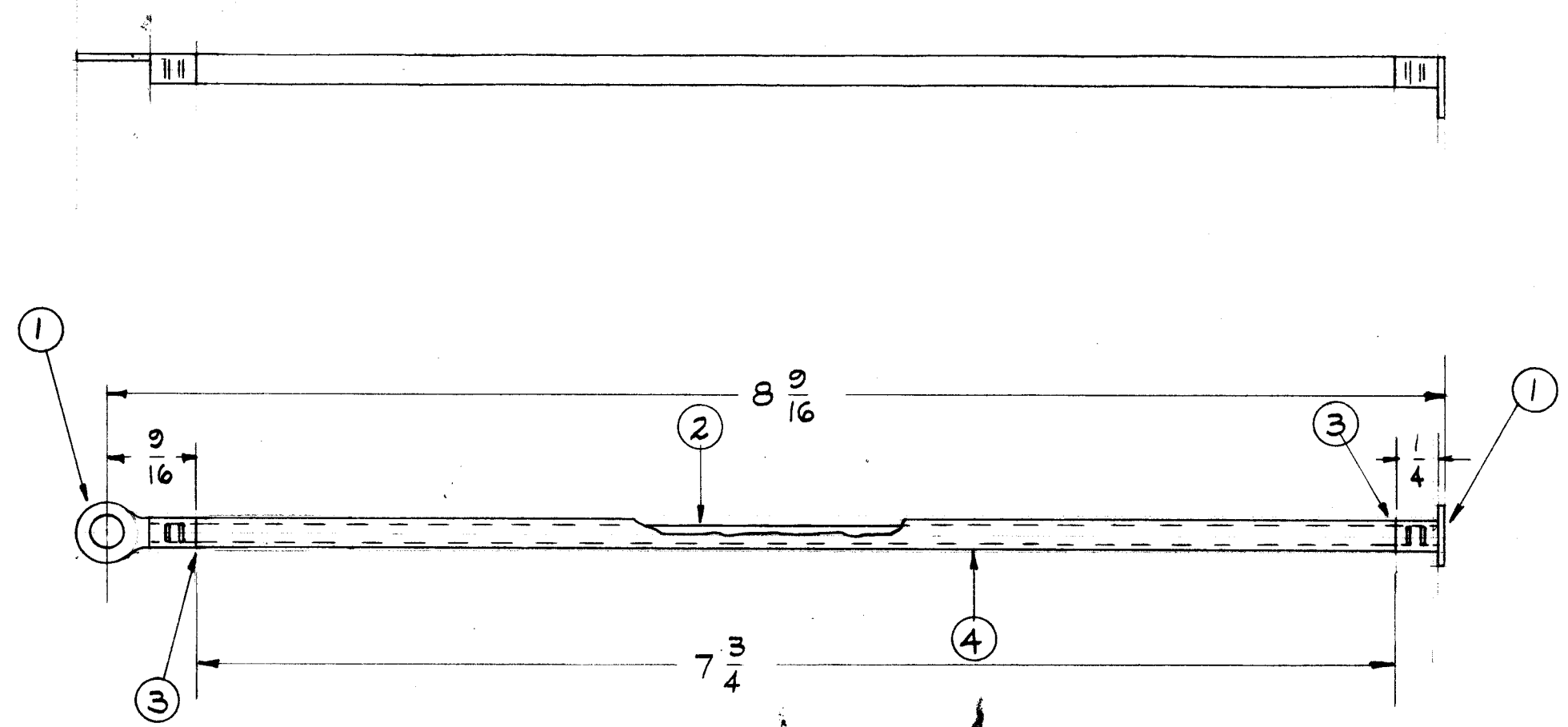
CA-450

NOTICE TO PERSONS RECEIVING THIS DRAWING

THE TECHNICAL MATERIEL CORPORATION claims proprietary right in the material disclosed hereon. This drawing is issued in confidence for engineering information only and may not be reproduced or used to manufacture anything shown hereon without permission from THE TECHNICAL MATERIEL CORPORATION to the user. This drawing is loaned for mutual assistance and is subject to recall at any time.

Property of:
THE TECHNICAL MATERIEL CORPORATION
MAMARONECK, NEW YORK

9-4-59 16
THIS DWG. OBSOLETE
DIRECTLY REPLACED BY
CA-412-4-8-31



NOTE: DIRECT REPLACEMENT FOR MS-1463

REQ. ITEM	PART NO.	DESCRIPTION	SYMBOL
8 4	PX-370-6-7	INSULATION SLEEVING, TEFALON	
X 3	BS-100	SOLDER, SOFT	
8 1/4 2	TU-100-2-S	TUBING, COPPER	
2 1	TE-141-3	TERMINAL	
STOCK SIZE		THE TECHNICAL MATERIEL CORP. MAMARONECK, NEW YORK	
MATERIAL		CONNECTOR, RF OUTPUT	
TYPE & TEMPER	HEAT TREAT. SPEC.	DRAWN	CHECKED
FINISH & SPEC. NO.	ELEC. DES. APP.	MECH. DES. APP.	FINAL APPROVAL

ISSUE ITEM	CHANGED FROM	DATE	CH. NO.	DRAFTS	CHECKER	ENG. APP.
TOLERANCES		SCALE:				
DEC. DIM. ±		MAXIMUM ALLOWABLE TOLERANCES HAVE BEEN DETERMINED AND ANY DEVIATIONS WILL BE CAUSE FOR REJECTION.				
FRAC. DIM. ±	1/64	REMOVE ALL BURRS AND SHARP EDGES				
ANGULAR DIM. ±						

REQ. PER UNIT	MODEL	PROJECT NO.	ASS'Y. NO.	DATE
	REF-1	11A		4/9/59
USED ON				