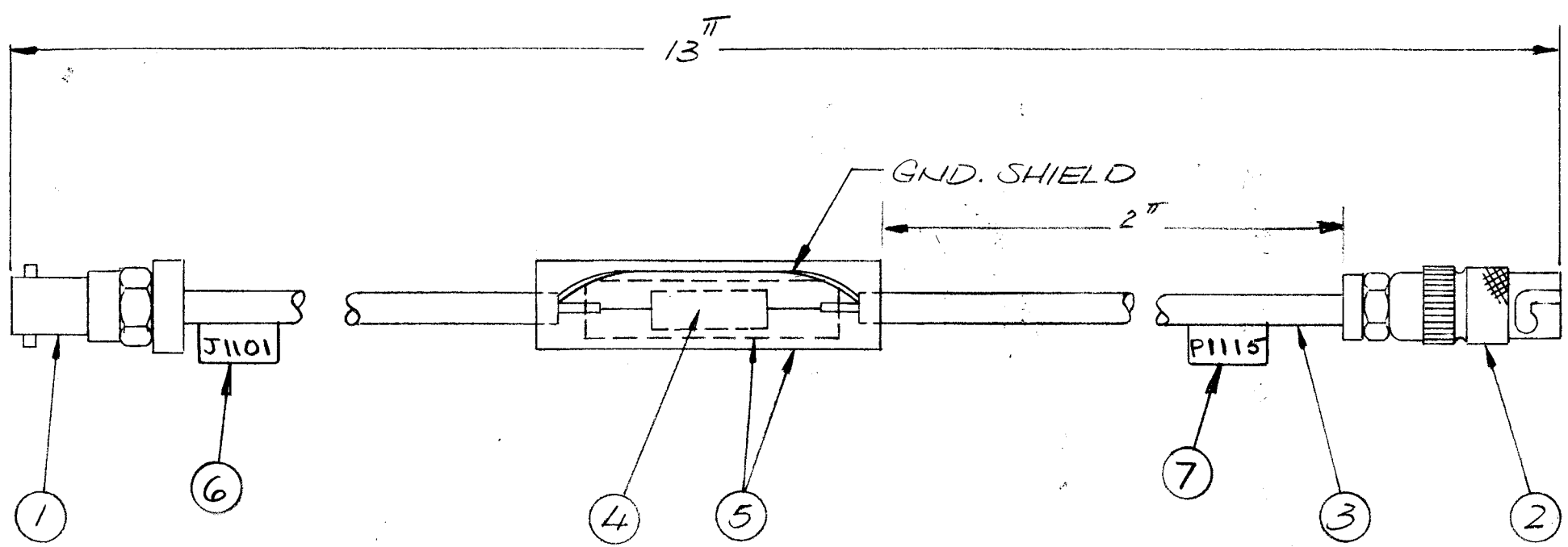


REVISIONS							
E.M.N. NO.	DRAFT	CHKD	ZONE	LTR	DESCRIPTION	DATE	APPROVED
	Q			Ø	ORIGINAL RELEASE FOR PROD	3/23/73	
21066	CE	CJ		A	IT. 7 PIN CHG WAS P1415	4/23/73	CJ



— NOTE —
PLACE IT. 4 CLOSE TO IT. 2
OF CABLE.

REQ'D	ITEM	PART NUMBER	DESCRIPTION	SYM.
1	7	LA107-9-P1115	SLV, MKR, CBL	
1	6	LA107-9-J1101	SLV, MKR, CBL	
X	5	PX830	TUBING SHRINK	
1	4	RC07GF103J	RESISTOR FIXED	R1102
X	3	RG188/U	CABLE COAX.	
1	2	PL168-16	PLUG CONN.	P1115
1	1	JU172	CONN. RECEPTACLE	J1101

LIST OF MATERIAL

KIT 375		
QTY / UNIT	MODEL USED ON	ASS'Y NO.
APPLICATION		
CODE		

NOTICE TO PERSONS RECEIVING THIS DRAWING
THE TECHNICAL MATERIEL CORPORATION claims proprietary right in the material disclosed hereon. This drawing is issued in confidence for engineering information only and may not be reproduced or used to manufacture anything shown hereon without permission from THE TECHNICAL MATERIEL CORPORATION to the user. This drawing is loaned for mutual assistance and is subject to recall at any time.

UNLESS OTHERWISE SPECIFIED DIMENSIONS ARE IN INCHES AND INCLUDE CHEMICALLY APPLIED OR PLATED FINISHES	FINAL APPROVAL <i>[Signature]</i>	DATE 20 MAR 73
DECIMALS .X ± .05 FRACTIONS 1/64 TOLS. ANGLES 0°-30'	MECH. DES.	DATE
MATERIAL	ELECT. DES. <i>[Signature]</i>	DATE 20 MAR 73
FINISH	CHECKED	DATE
	DRAWN CE	DATE 1-22-73

THE TECHNICAL MATERIEL CORP. MAMARONECK, NEW YORK			
HFO CABLE			
SIZE B	CODE IDENT. NO. 82679	DWG NO. CA1725	ISSUE A
SCALE	SHEET		OF