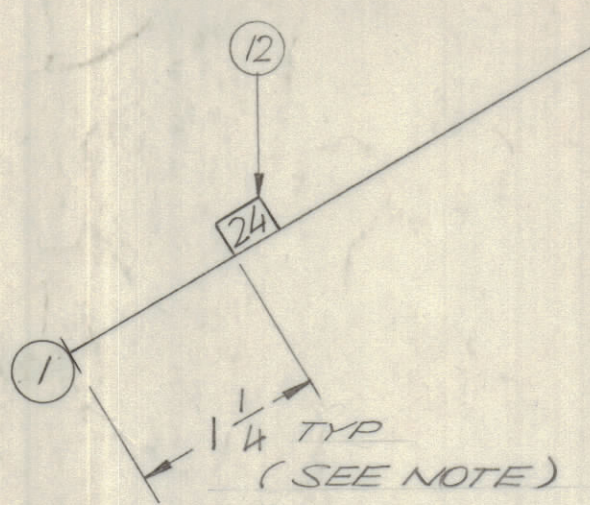
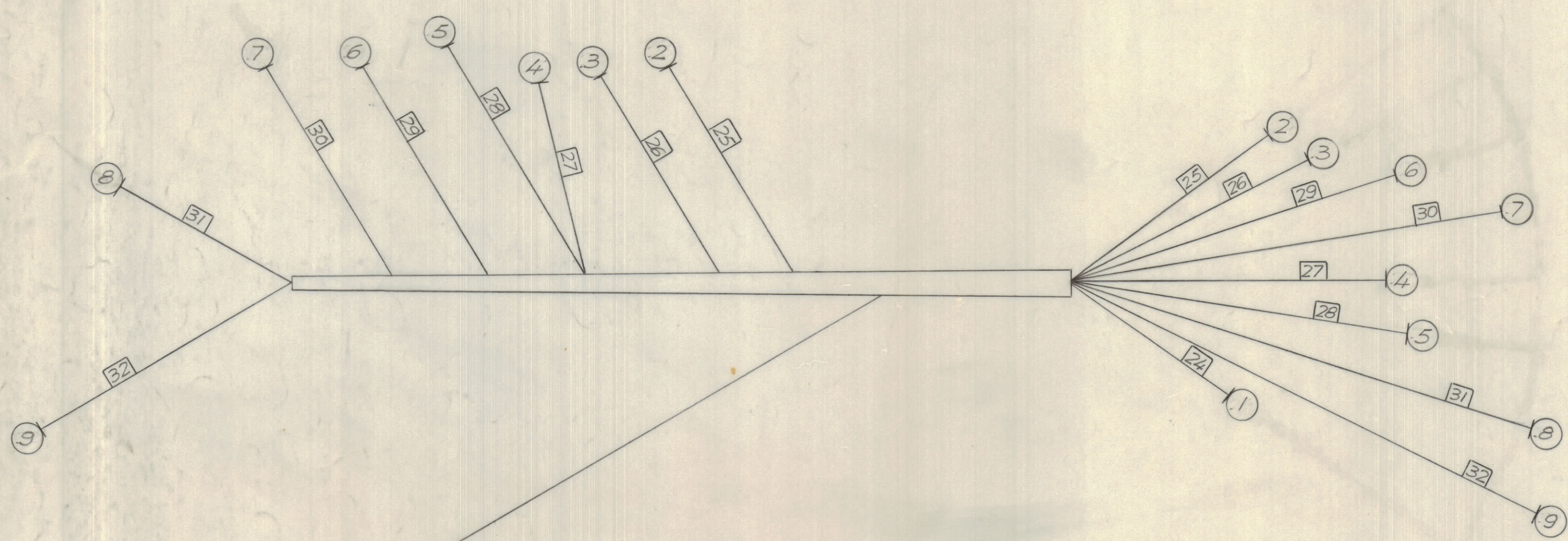
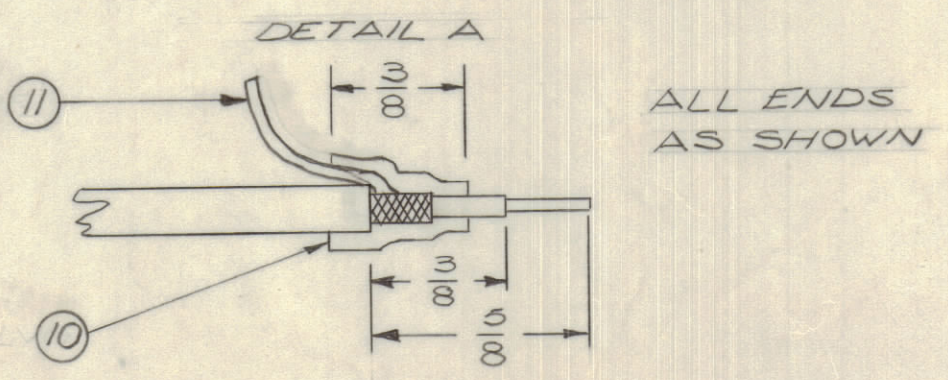
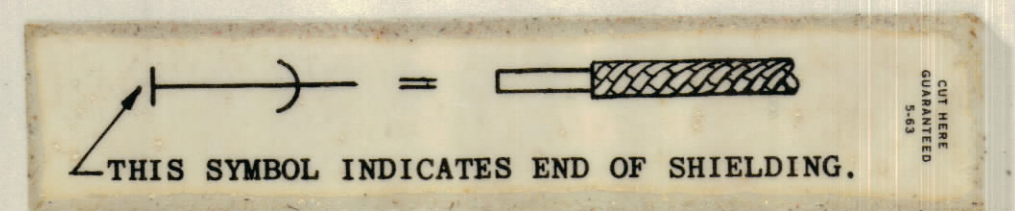
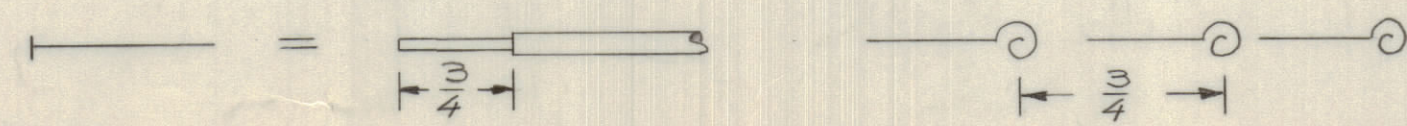


REVISIONS						
E.M.N.O	DRAFT	CHKD	ZONE	LTR	DATE	APPROVED
	KH			X	7/7/69	EXP. RELEASE
				Ø	8/8/69	ORIGINAL RELEASE FOR PRODUCTION



LABEL NOTE:
ATTACH LABELS (LA 101-) TO BOTH ENDS OF EACH WIRE (1 1/4 FROM END, TYP.)



SYMBOL DENOTES

○ = ITEM NO.'S

□ = TAGS

QTY. REQ.	ITEM	PART NO.	DESCRIPTION	SYMBOL
	X 13	BS 100	SOLDER, SOFT	
	18	LA 101	BAND, MARKER, CABLE	
		11	LWC 26(7) UO	
	X 10	PX 830-12-1	INSULATION, SLEEVING, ELEC.	
	9	RG 174/U	R.F. COAXIAL CABLE	
	8			
	7			
	6			
	5			
	4			
	3			
	2			
	1	RG 174/U	R.F. COAXIAL CABLE	

LIST OF MATERIAL			
UNLESS OTHERWISE SPECIFIED DIMENSIONS ARE IN INCHES AND INCLUDE CHEMICALLY APPLIED OR PLATED FINISHES		THE TECHNICAL MATERIEL CORP. MAMARONECK, NEW YORK	
TOLERANCES ON		WIRING HARNESS BRANCHED	
DECIMALS	FRACTIONS	SIZE	CODE IDENT NO. DWG NO.
.X ± .05	± 1/64	D	82679 CA 1492
.XX ± .01	ANGLES ± 0° - 30'	SCALE	FULL
.XXX ± .005		SHEET	OF

QTY / UNIT	MODEL USED ON	ASS'Y NO.
	MTR () 150	
APPLICATION		
CODE		
NOTICE TO PERSONS RECEIVING THIS DRAWING THE TECHNICAL MATERIEL CORPORATION claims proprietary right in the material disclosed hereon. This drawing is issued in confidence for engineering information only and may not be reproduced or used to manufacture anything shown hereon without permission from THE TECHNICAL MATERIEL CORPORATION to the user. This drawing is loaned for mutual assistance and is subject to recall at any time.		

FINAL APPROVAL		DATE
POSE	GR	8/8/69
MECH. DES.		DATE
ELECT. DES.		DATE
The		8/1/69
CHECKED		DATE
		7-7-69
DRAWN		DATE
L. Hines		7/7/69