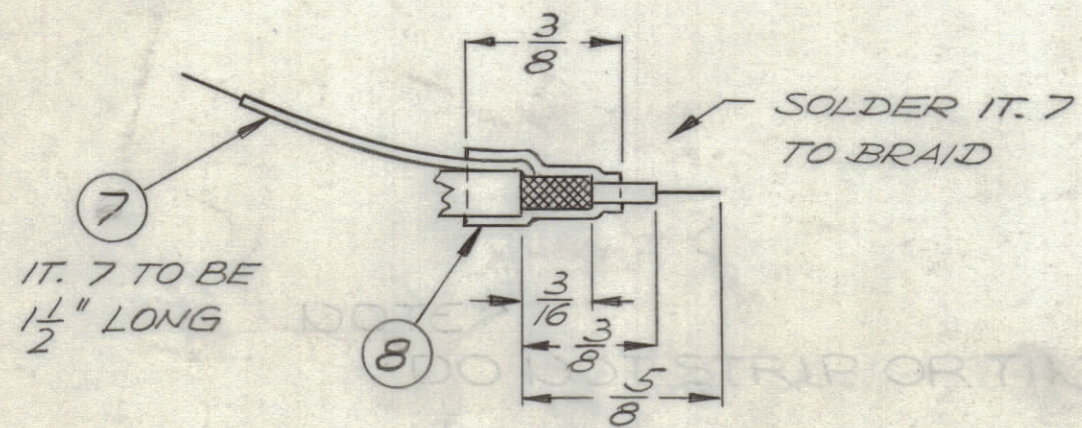
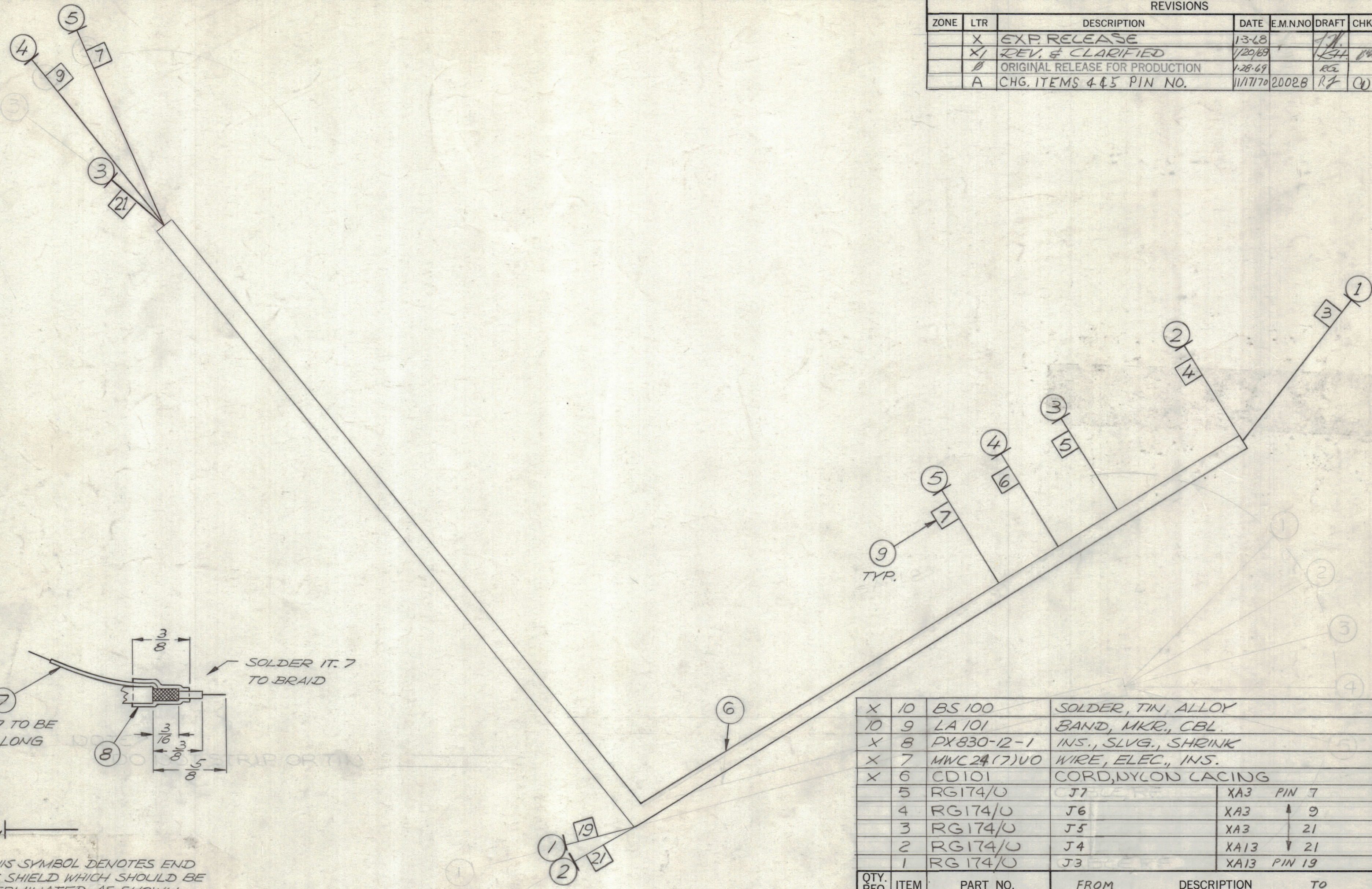


REVISIONS						
ZONE	LTR	DESCRIPTION	DATE	E.M.N.NO	DRAFT	CHKD APPD
X		EXP. RELEASE	1-3-68			R.E.
X		REV. & CLARIFIED	1/20/69			R.E.
		ORIGINAL RELEASE FOR PRODUCTION	1-28-69			R.E.
A		CHG. ITEMS 4 & 5 PIN NO.	11/17/70	20028	R.F.	R.E.

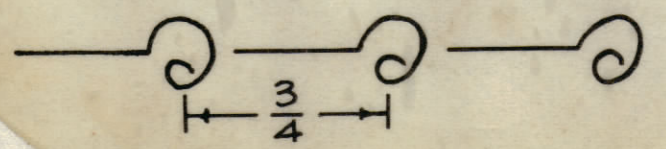


THIS SYMBOL DENOTES END OF SHIELD WHICH SHOULD BE TERMINATED AS SHOWN.

UNLESS OTHERWISE SPECIFIED WIRES SHOULD BE PLACED IN CABLE IN NUMERICAL SEQUENCE AS THEY APPEAR IN ITEM COLUMN BY CATEGORY.

- ALL R.F. CABLES
- ALL SHIELDED CABLES
- ALL OTHERS

SPACE LACING APPROXIMATELY 3/4" APART.



QTY. REQ.	ITEM	PART NO.	FROM	DESCRIPTION	TO	SYMBOL
X	10	BS 100		SOLDER, TIN ALLOY		
	10	LA 101		BAND, MKR., CBL.		
X	8	PX830-12-1		INS., SLVG., SHRINK		
X	7	MWC24(7)UO		WIRE, ELEC., INS.		
X	6	CD101		CORD, NYLON LACING		
	5	RG174/U	J7		XA3 PIN 7	
	4	RG174/U	J6		XA3 ↑ 9	
	3	RG174/U	J5		XA3 ↓ 21	
	2	RG174/U	J4		XA13 ↓ 21	
	1	RG174/U	J3		XA13 PIN 19	

HOGAN (EBERT) LIST OF MATERIAL

UNLESS OTHERWISE SPECIFIED DIMENSIONS ARE IN INCHES AND INCLUDE CHEMICALLY APPLIED OR PLATED FINISHES	FINAL APPROVAL <i>[Signature]</i>	DATE
	MECH. DES.	DATE
	ELECT. DES.	DATE 28 JAN 69
	CHECKED <i>[Signature]</i>	DATE 1-3-68
	DRAWN <i>[Signature]</i>	DATE 1-3-68

THE TECHNICAL MATERIEL CORP.
MAMARONECK, NEW YORK

WIRING HARNESS,
BRANCHED (REAR PANEL)

1	HFSR-4	BMA 236
QTY / UNIT	MODEL USED ON	ASS'Y NO.
APPLICATION		
CODE	S401-451	

NOTICE TO PERSONS RECEIVING THIS DRAWING
THE TECHNICAL MATERIEL CORPORATION claims proprietary right in the material disclosed hereon. This drawing is issued in confidence for engineering information only and may not be reproduced or used to manufacture anything shown hereon without permission from THE TECHNICAL MATERIEL CORPORATION to the user. This drawing is loaned for mutual assistance and is subject to recall at any time.

SIZE	CODE IDENT. NO.	DWG NO.	ISSUE
C	82679	CA1414	A
SCALE	1:1	SHEET	OF

D

C

B

A

CA1414