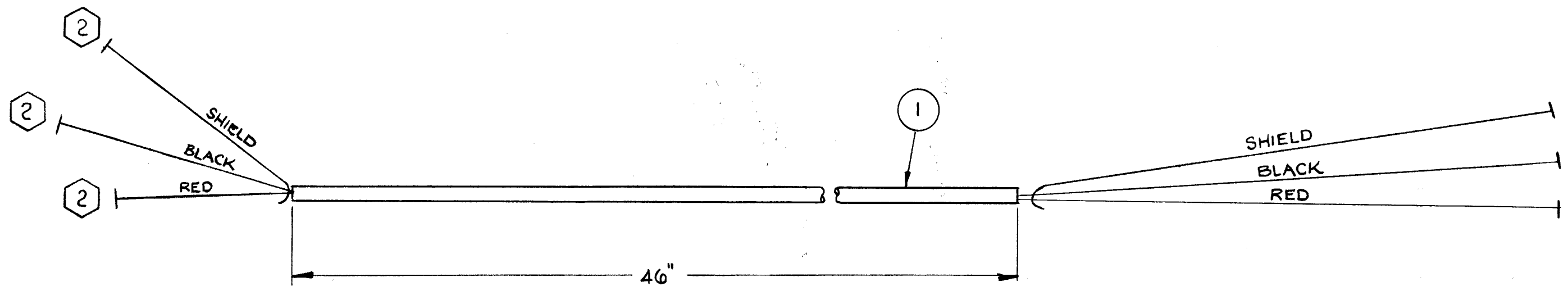


CA 1239

REVISIONS

SYM	DESCRIPTION	DATE	E.M.N. NO.	DRAFT	CHKD	APPD
Ø	ORIGINAL RELEASE FOR PRODUCTION	6.23.66	---	UFW		JLO



⬡ - DENOTES LUG

REQ'D.	ITEM	PART NUMBER	DESCRIPTION	SYMBOL
X	3	BS 100	SOLDER, SOFT	
3	2	TE-120-2	LUG, CRIMP TYPE	
X	1	WI-128-20-2	SHIELDED CABLE 2 WIRE	BLACK RED

LIST OF MATERIAL

MATERIAL		THE TECHNICAL MATERIEL CORP. MAMARONECK, NEW YORK			
FINISH		TITLE CABLE, INTERCONNECTION			
UNLESS OTHERWISE SPECIFIED DIMENSIONS ARE IN INCHES AND INCLUDE CHEMICALLY APPLIED OR PLATED FINISHES		DRAWN <i>JCB</i>	DATE 6/22/66	FINAL APPROVAL <i>[Signature]</i>	DATE 6/23/66
DECIMALS .X ± .05 .XX ± .01 .XXX ± .005		TOLERANCES		CA 1239	Ø
FRACTIONS ± 1/64 ANGLES ± 0° 30'		MECH. DES.	DATE	SHEET	REV. LTR.

1	PTE-4A	AX 644
Q'TY./UNIT	MODEL USED ON	ASS'Y. NO.
SCALE	CODE	

THE CONTENTS OF THIS DRAWING ARE THE EXCLUSIVE PROPERTY OF THE TECHNICAL MATERIEL CORP. ITS UNAUTHORIZED USE OR REPRODUCTION IN WHOLE OR IN PART IS STRICTLY FORBIDDEN.

NOTES