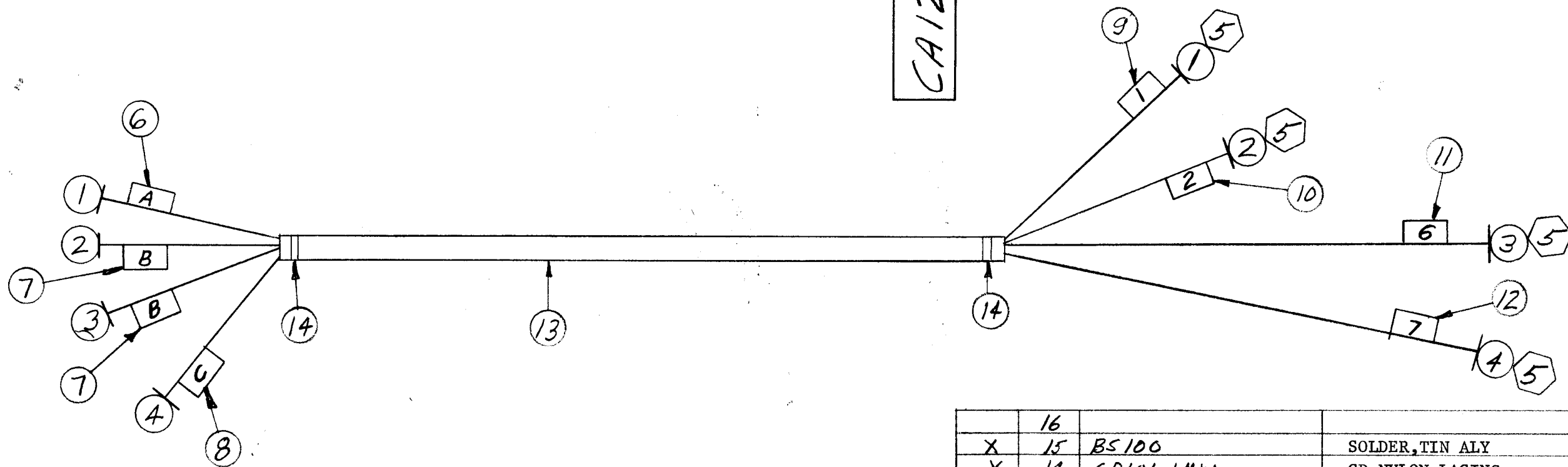


CA1214

REVISIONS					
SYM	DESCRIPTION	DATE	E.M.N. NO.	DRAFT	CHKD
Ø	ORIGINAL RELEASE FOR PRODUCTION	2/2/66			JLD



	16			
X	15	BS100	SOLDER, TIN ALY	
X	14	CD101-1MW	CD, NYLON, LACING	
6	13	PX100-1-166	INS SLVG	
1	12	LA101-7	BAND, MARKER, CBL	
1	11	LA101-6	BAND, MARKER, CBL	
1	10	LA101-2	BAND, MARKER, CBL	
1	9	LA101-1	BAND, MARKER, CBL	
1	8	LA101-C	BAND, MARKER, CBL	
2	7	LA101-B	BAND, MARKER, CBL	
1	6	LA101-A	BAND, MARKER, CBL	
4	5	TE120-2	TERM., LUG-SPADE NO. 6	
	4	MWC22(7)U2	WIRE, ELEC, INS	
	3	MWC22(7)U92	WIRE, ELEC, INS	
	2	MWC22(7)U97	WIRE, ELEC, INS	
	1	MWC22(7)U7	WIRE, ELEC, INS	
REQ'D.	ITEM	PART NUMBER	DESCRIPTION	SYMBOL

LIST OF MATERIAL

MATERIAL	THE TECHNICAL MATERIEL CORP. MAMARONECK, NEW YORK			
FINISH	TITLE CABLE, SPECIAL PURPOSE			
UNLESS OTHERWISE SPECIFIED DIMENSIONS ARE IN INCHES AND INCLUDE CHEMICALLY APPLIED OR PLATED FINISHES	DRAWN	DATE	FINAL APPROVAL	DATE
	Checked <i>JM</i>	4 Jan 66	<i>R.H. Hay</i>	2/2/66
DECIMALS .X ± .05 .XX ± .01 .XXX ± .005	TOLERANCES	FRACTIONS ± 1/64 ANGLES ± 0° 30'	ELECT. DES.	DATE
			MECH. DES.	DATE
			CA1214	Ø
			SHEET	REV. LTR.

THIS SYMBOL DENOTES END OF INSULATION AND NAIL DRIVING POINT. WIRE MUST BE STRIPPED 3/4" BEYOND THIS POINT AND TINNED 1/2" UNLESS OTHERWISE SPECIFIED.

NOTES

1	KIT 180	
Q'TY./UNIT	MODEL USED ON	ASS'Y. NO.
SCALE	CODE	
THE CONTENTS OF THIS DRAWING ARE THE EXCLUSIVE PROPERTY OF THE TECHNICAL MATERIEL CORP. ITS UNAUTHORIZED USE OR REPRODUCTION IN WHOLE OR IN PART IS STRICTLY FORBIDDEN.		