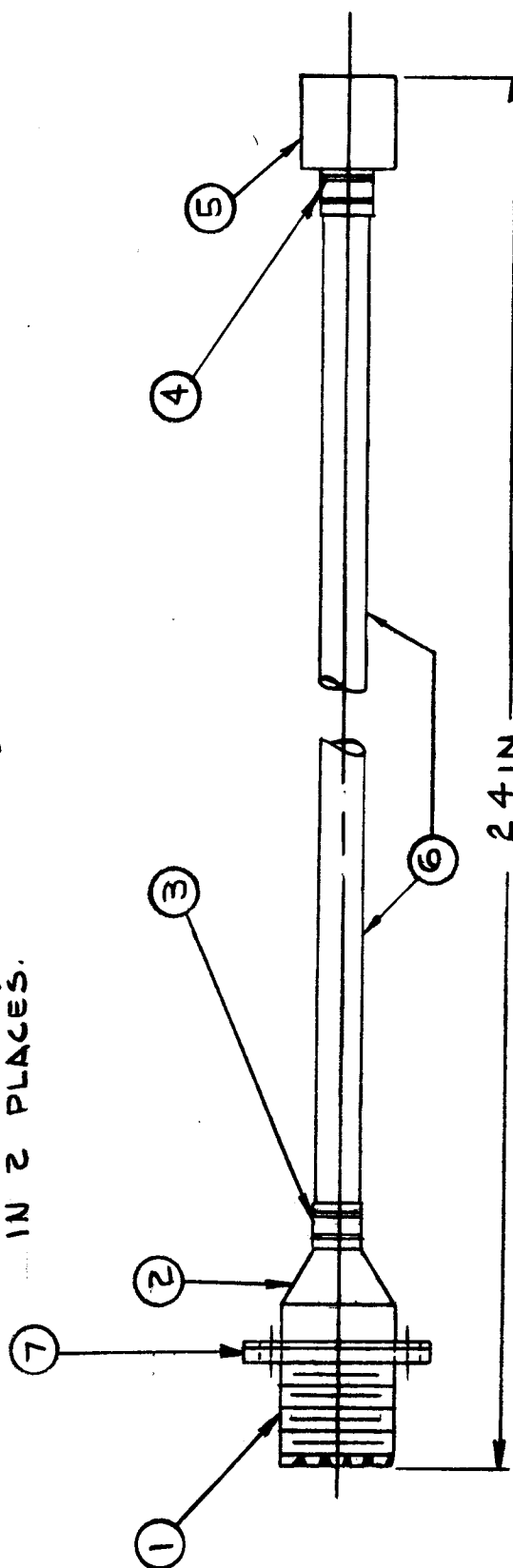


IF IT IS FOUND DESIRABLE TO CHANGE ANY TOLERANCE OR OTHER DETAIL SPECIFIED ON THIS DRAWING NOTIFY THE PURCHASER PROMPTLY.

MAXIMUM ALLOWABLE TOLERANCES HAVE BEEN DETERMINED AND DEVIATIONS WILL BE CAUSE FOR REJECTION. REMOVE ALL BURRS AND SHARP EDGES

NOTE:
SOLDER ITEM (1) TO ITEM (2)
IN 2 PLACES.



NOTICE TO PERSONS RECEIVING THIS DRAWING

THE TECHNICAL MATERIEL CORPORATION claims proprietary right in the material disclosed herein. This drawing is issued in confidence for engineering information only and may not be reproduced or used to manufacture anything shown herein without permission from THE TECHNICAL MATERIEL CORPORATION to the user. The drawing is loaned for mutual assistance and is subject to recall at any time.

Property of:

THE TECHNICAL MATERIEL CORPORATION

IT. I WAS SO 239, II 5WAS PL 259	9/12/64	14670	R.K.
NOTE, BUILD-UP MODEL ADDED	1-15-65	13825	J.P.
ISSUE ITEM	CHANGED FROM	DATE	CN. NO. DRAFTS CHECKER ENG. APP.

TOLERANCES

ALL DEC. DIM. ±
OTHERS FRAC. DIM. ±
ANGULAR DIM. ±

SCALE NTS

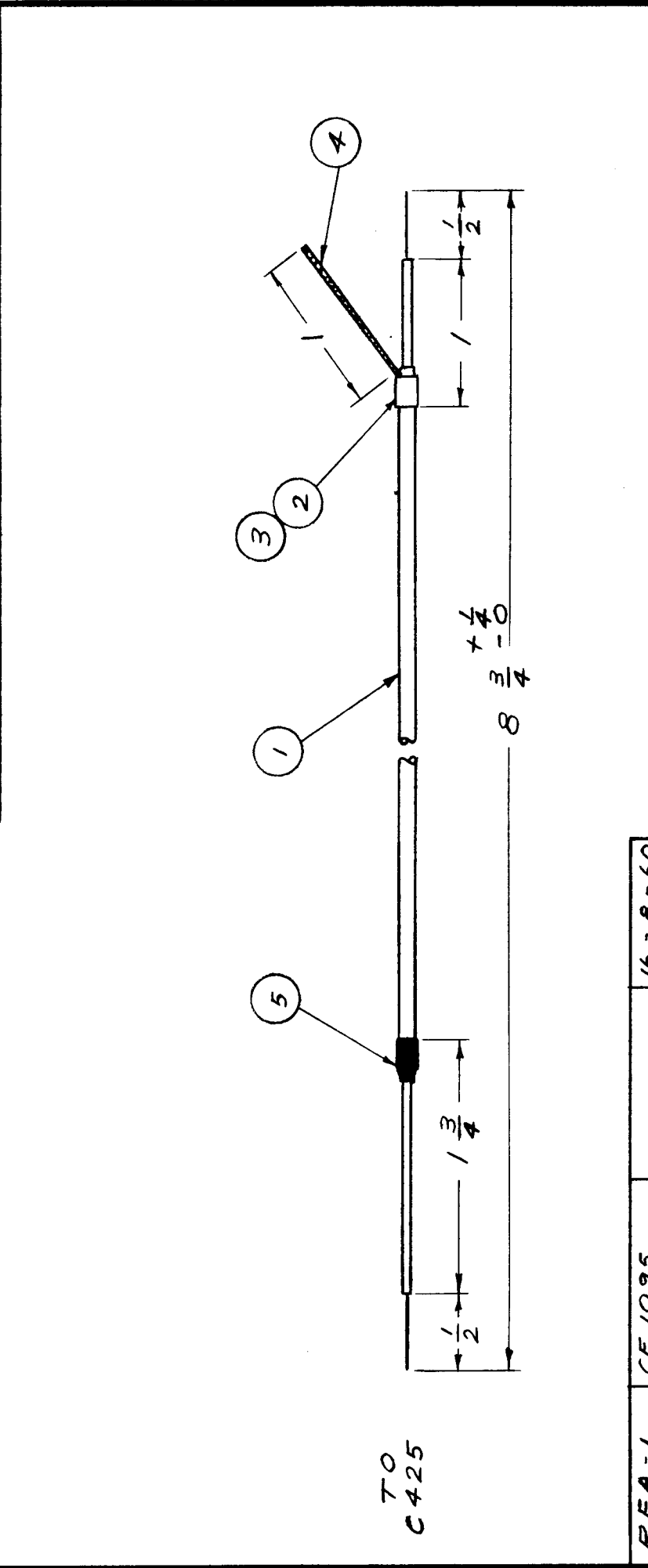
DRILL, PUNCH, COMMERCIAL STOCK SIZES AND MANUFACTURERS TOLERANCES ARE NOT INCLUDED.

USED ON		CA10102 B
MODEL	PROJECT NO.	ASS'Y. NO.
AMC6-5	CE 5003	
		DATE
		JULY 20/59

REQ. ITEM	PART NO.	DESCRIPTION	SYMBOL
X 7	B5100	SOLDER, TIN ALLOY	
1 6	RG59/U	CBL, RF	
1 5	PL259A	CONN, PL, UHF	
1 4	UG176/U	ADPT, CBL	
1 3	CU101-4	FRL, RF CBL, GRD	
1 2	UG177/U	ADPT, CBL	
1 1	SO239A	CONN, RECP - UHF	

STOCK SIZE		TMC (Canada) LIMITED OTTAWA ONTARIO	
MATERIAL	WEIGHT PER PC.	CABLE ASSEMBLY	
TYPE & TEMPER		R.C.N. PATCH PANEL AMC6-5	
HEAT TREAT. SPEC.		JPC	
FINISH & SPEC. NO.		DRAWN	ELEC. DES. APP.
		ALM	MECH. DES. APP.
			1 JPC
		CHECKED	FINAL APPROVAL
			CA10102 B

ISSUE	ITEM	CHANGED FROM	DATE	CN. NO.	DRAFTS	CHECKER	ENG. APP.	REQ.	ITEM	PART NO.	DESCRIPTION	SYMBOL
B	X	ADDS, REDRAWN	8-7-66	17553	RD	[Signature]	[Signature]	8*	1	RG-188/U	CABLE, R.F., MIN.	
								1	2	CU-101-9	FERRULE, CABLE, INNER	
								1	3	CU-101-10	FERRULE, CABLE, OUTER	
								1 1/4	4	WL-103-1	SHIELD, FLEXIBLE	
								3/4	5	PX830-18-1	SLEEVEING, SHRINK	



MODEL	RFA-1	CE 1095	PROJECT NO.	16-8-60
	RFE-1	028/66	ASSY. NO.	8 JULY 66
USED ON				
MAXIMUM ALLOWABLE TOLERANCES HAVE BEEN DETERMINED AND DEVIATIONS WILL BE CAUSE FOR REJECTION. REMOVE ALL BURRS AND SHARP EDGES		IF IT IS FOUND DESIRABLE TO CHANGE ANY TOLERANCE OR OTHER DETAIL SPECIFIED ON THIS DRAWING NOTIFY THE PURCHASER PROMPTLY.		
TOLERANCES		SCALE NTS		
DEC. DIM. ±	DIMENSIONS IN INCHES UNLESS OTHERWISE SPECIFIED			
FRAC. DIM. ±	DRILL, PUNCH, COMMERCIAL STOCK SIZES AND MANUFACTURERS TOLERANCES ARE NOT INCLUDED.			
ANGULAR DIM. ±				
ALL OTHERS				
STOCK SIZE		TMC (Canada) LIMITED OTTAWA ONTARIO		
MATERIAL	CABLE ASSY R.F.		C215 TO C233	
WEIGHT PER FC.	JPC		ELEC. DES. APP. [Signature]	
TYPE & TEMPER	DRAWN [Signature]		MECH. DES. APP. [Signature]	
HEAT TREAT. SPEC.	CHECKED [Signature]		FINAL APPROVAL [Signature]	
FINISH & SPEC. NO.	CA10111		B	

IF IT IS FOUND DESIRABLE TO CHANGE ANY TOLERANCE OR OTHER DETAIL SPECIFIED ON THIS DRAWING NOTIFY THE PURCHASER PROMPTLY.

MAXIMUM ALLOWABLE TOLERANCES HAVE BEEN DETERMINED AND DEVIATIONS WILL BE CAUSE FOR REJECTION. REMOVE ALL BURRS AND SHARP EDGES

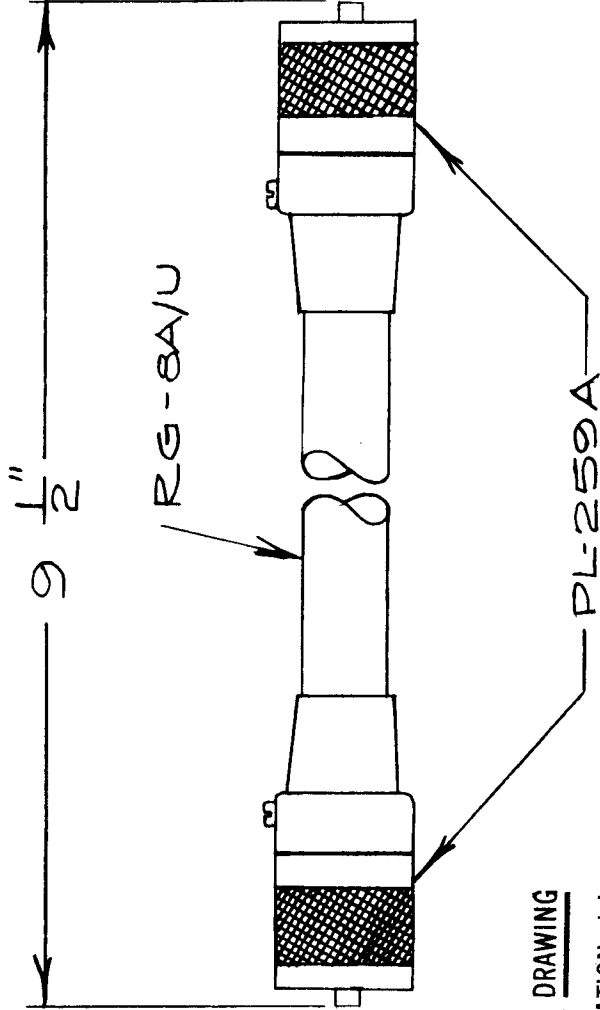
CA10123

USED ON

PROJECT NO. ASS'Y. NO. DATE

CATU'IK CE5008

8/11/60



NOTICE TO PERSONS RECEIVING THIS DRAWING

THE TECHNICAL MATERIEL CORPORATION claims proprietary right in the material disclosed hereon. This drawing is issued in confidence for engineering information only and may not be reproduced or used to manufacture anything shown hereon without permission from THE TECHNICAL MATERIEL CORPORATION to the user. This drawing is loaned for mutual assistance and is subject to recall at any time.

Property of:

**THE TECHNICAL MATERIEL CORPORATION
MAMARONECK, NEW YORK**

REQ. ITEM	PART NO.	DESCRIPTION	SYMBOL
		TMC(Canada) LIMITED OTTAWA ONTARIO	
		CABLE ASS'Y	
STOCK SIZE			
MATERIAL	WEIGHT PER PC.		
TYPE & TEMPER		JPC	
HEAT TREAT. SPEC.		DRAWN	
FINISH & SPEC. NO.		CHECKED	
		ELEC. DES. APP. <i>R. W. Hemmets</i>	
		MECH. DES. APP.	
		FINAL APPROVAL	
		CA10123	

ISSUE	ITEM	CHANGED FROM	DATE	CN. NO.	DRAFTS	CHECKER	ENG. APP.
ALL							
OTHERS							
TOLERANCES							
DEC. DIM. ±				DIMENSIONS IN INCHES			
FRAC. DIM. ±				UNLESS OTHERWISE SPECIFIED			
ANGULAR DIM. ±				DRILL, PUNCH, COMMERCIAL STOCK			
				SIZES AND MANUFACTURERS			
				TOLERANCES ARE NOT INCLUDED.			

IF IT IS FOUND DESIRABLE TO CHANGE ANY TOLERANCE OR OTHER DETAIL SPECIFIED ON THIS DRAWING NOTIFY THE PURCHASER PROMPTLY.

MAXIMUM ALLOWABLE TOLERANCES HAVE BEEN DETERMINED AND DEVIATIONS WILL BE CAUSE FOR REJECTION. REMOVE ALL BURRS AND SHARP EDGES

CA10125

USED ON

ASS'Y. NO.

PROJECT NO.

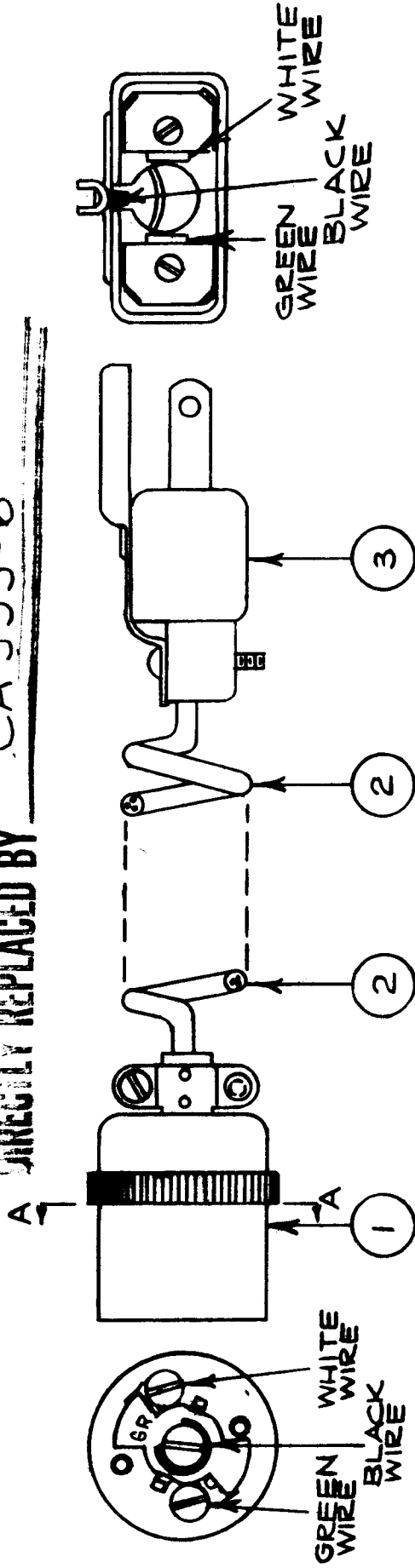
DATE

PS-7 CE5107

12/5/60

SUPERSEDED

DIRECTLY REPLACED BY CA 555-6



NOTICE TO PERSONS RECEIVING THIS DRAWING

THE TECHNICAL MATERIEL CORPORATION claims proprietary right in the material disclosed hereon. This drawing is issued in confidence for engineering information only and may not be reproduced or used to manufacture anything shown hereon without permission from THE TECHNICAL MATERIEL CORPORATION to the user. This drawing is loaned for mutual assistance and is subject to recall at any time.

Property of:

THE TECHNICAL MATERIEL CORPORATION
MAMARONECK, NEW YORK

ISSUE	ITEM	CHANGED FROM	DATE	CN. NO.	DRAFTS	CHECKER	ENG. APP.
A	1	SUPERSEDED NOTE ADD.	2.3.65	13318	92	JDS	

TOLERANCES

ALL DEC. DIM. ±
OTHERS FRAC. DIM. ±
ANGULAR DIM. ±

SCALE 1:1
DIMENSIONS IN INCHES
UNLESS OTHERWISE SPECIFIED
DRILL, PUNCH, COMMERCIAL STOCK
SIZES AND MANUFACTURERS
TOLERANCES ARE NOT INCLUDED.

REQ. ITEM	PART NO.	DESCRIPTION	SYMBOL
1	3 PL-172	PLUG	
-	2 WI-134-6-24	POWER CORD	
1	1 PL-176	PLUG	
STOCK SIZE			
MATERIAL			
WEIGHT PER PC.			
TYPE & TEMPER			
HEAT TREAT. SPEC.			
FINISH & SPEC. NO.			
TMC (Canada) LIMITED OTTAWA		POWER CORD AC	
PS-7		JPC	
DRAWN		ELEC. DES. APP. M.K.	
CHECKED		MECH. DES. APP. JDS	
FINAL APPROVAL		CA10125	
		A	

IF IT IS FOUND DESIRABLE TO CHANGE ANY TOLERANCE OR OTHER DETAIL SPECIFIED ON THIS DRAWING NOTIFY THE PURCHASER PROMPTLY.

MAXIMUM ALLOWABLE TOLERANCES HAVE BEEN DETERMINED AND DEVIATIONS WILL BE CAUSE FOR REJECTION. REMOVE ALL BURRS AND SHARP EDGES

CA10143

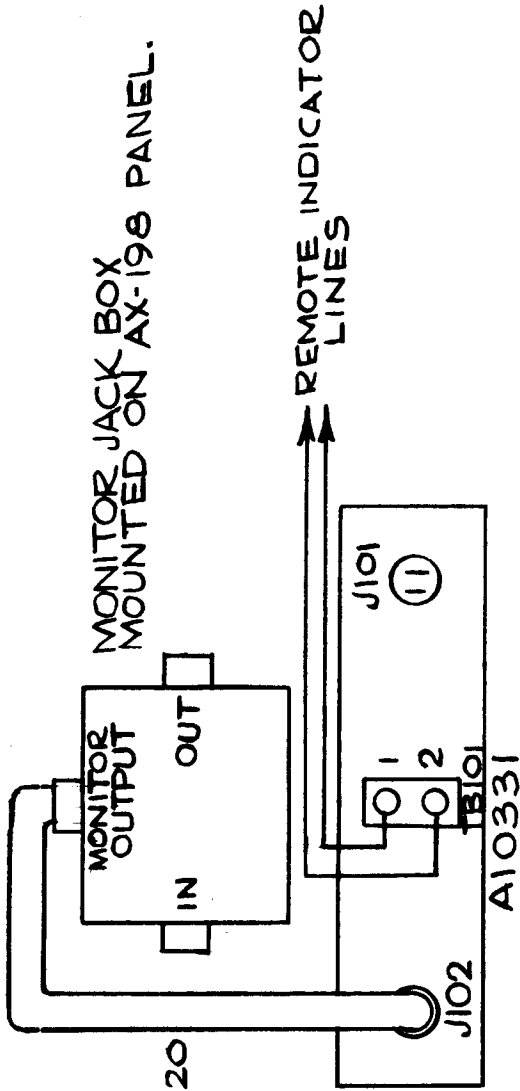
USED ON

MODEL PROJECT NO. ASS'Y. NO. DATE

OCT. 11 1962

MONITOR JACK BOX MOUNTED ON AX-198 PANEL.

CA 480-7-20



NOTICE TO PERSONS RECEIVING THIS DRAWING

THE TECHNICAL MATERIEL CORPORATION claims proprietary right in the material disclosed hereon. This drawing is issued in confidence for engineering information only and may not be reproduced or used to manufacture anything shown hereon without permission from THE TECHNICAL MATERIEL CORPORATION to the user. This drawing is loaned for mutual assistance and is subject to recall at any time.

Property of:

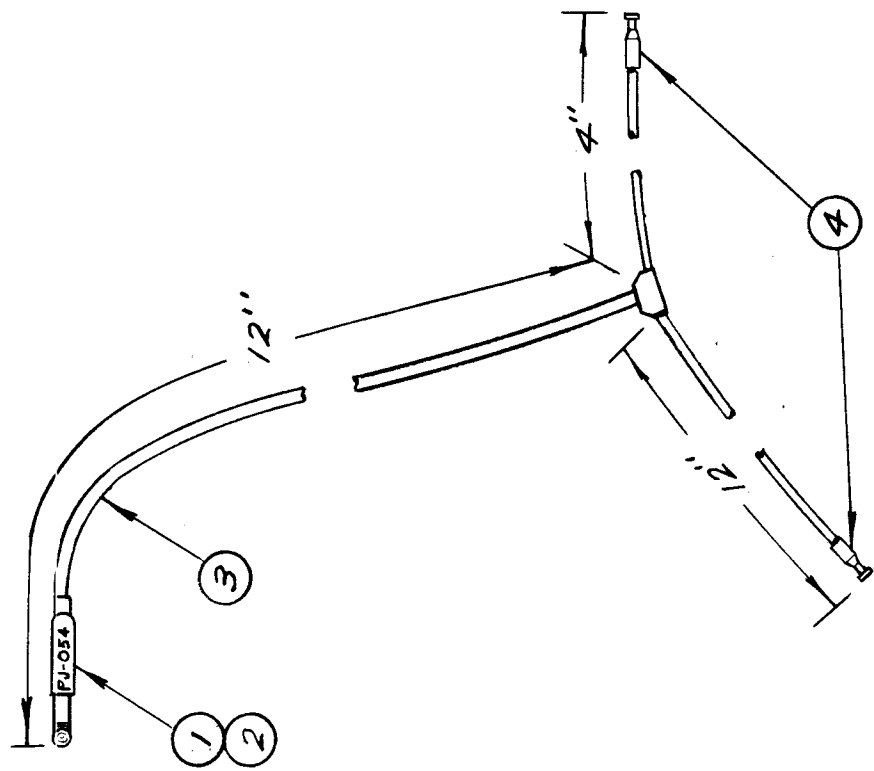
THE TECHNICAL MATERIEL CORPORATION
MAMARONECK, NEW YORK

REQ. ITEM	PART NO.	DESCRIPTION	SYMBOL
		TMC (Canada) LIMITED OTTAWA ONTARIO	
		INTERCONNECTING DIAGRAM FOR A10331 TO SBT-1K SERIES	
		JPC DRAWN	
		ELEC. DES. APP. MECH. DES. APP.	
		CHECKED	FINAL APPROVAL
		HEAT TREAT. SPEC.	
		FINISH & SPEC. NO.	CA10143

ISSUE	ITEM	CHANGED FROM	DATE	CN. NO.	DRAFTS	CHECKER	ENG. APP.
TOLERANCES							
SCALE							
DIMENSIONS IN INCHES UNLESS OTHERWISE SPECIFIED							
DRILL, PUNCH, COMMERCIAL STOCK SIZES AND MANUFACTURERS TOLERANCES ARE NOT INCLUDED.							
ALL OTHERS	DEC. DIM. ±						
	FRAC. DIM. ±						
	ANGULAR DIM. ±						

CA-10146

ISSUE	ITEM	CHANGED FROM	DATE	CN. NO.	DRAFTS	CHECKER	ENG. APP.	REQ.	ITEM	PART NO.	DESCRIPTION	SYMBOL
		DRAWN FROM CA-162						1	1	PJ-054	PLUG, TELEPHONE	
								2	2	TE-125	TERMINAL, CORD TIP	
								1	3	CA-10148	MOULDED, CABLE	
								2	4	TE-10014	TERMINAL, SOLDER	
								A/R	5	BS-100	SOLDER, SOFT	

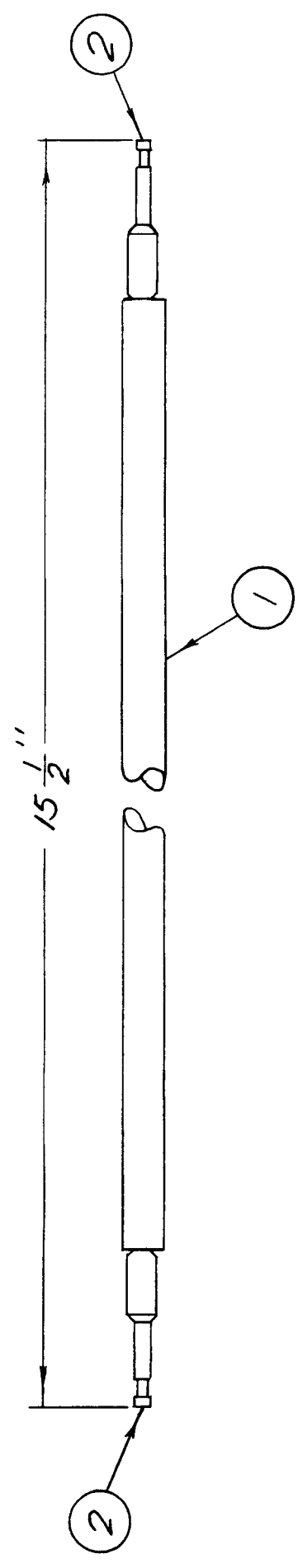


SPECIALLY MANUFACTURED
 CONTRACT CD-275374
 DDP SERIAL 2PV3-4

MODEL		PROJECT NO.	ASSY. NO.	DATE	STOCK SIZE	
				10-9-63		
TOLERANCES			USED ON			
MAXIMUM ALLOWABLE TOLERANCES HAVE BEEN DETERMINED AND DEVIATIONS WILL BE CAUSE FOR REJECTION. REMOVE ALL BURRS AND SHARP EDGES			IF IT IS FOUND DESIRABLE TO CHANGE ANY TOLERANCE OR OTHER DETAIL SPECIFIED ON THIS DRAWING NOTIFY THE PURCHASER PROMPTLY.			
DEC. DIM. ±			SCALE			
FRAC. DIM. ±			DIMENSIONS IN INCHES UNLESS OTHERWISE SPECIFIED			
ANGULAR DIM. ±			DRILL, PUNCH, COMMERCIAL STOCK SIZES AND MANUFACTURERS TOLERANCES ARE NOT INCLUDED.			
ALL OTHERS			HEAT TREAT. SPEC.			
			FINISH & SPEC. NO.			
			MATERIAL			
			TYPE & TEMPER			
			WEIGHT PER PC.			
			DRAWN			
			ELEC. DES. APP.			
			MECH. DES. APP.			
			CHECKED			
			FINAL APPROVAL			
			R DES.			
			CORD SET			
			HEAD PHONE			
			TMC (Canada) LIMITED			
			OTTAWA ONTARIO			
			CA-10146			

CA-10147

ISSUE	ITEM	CHANGED FROM	DATE	CN. NO.	DRAFTS	CHECKER	ENS. APP.	REQ.	ITEM	PART NO.	DESCRIPTION	SYMBOL
		DRAWN FROM CA-153						15 1/2	1	WI-115	CABLE, SINGLE CONDUCTOR	
								2	2	TE-10014	TERMINAL, SOLDER	
								A/R	3	BS-100	SOLDER, SOFT	

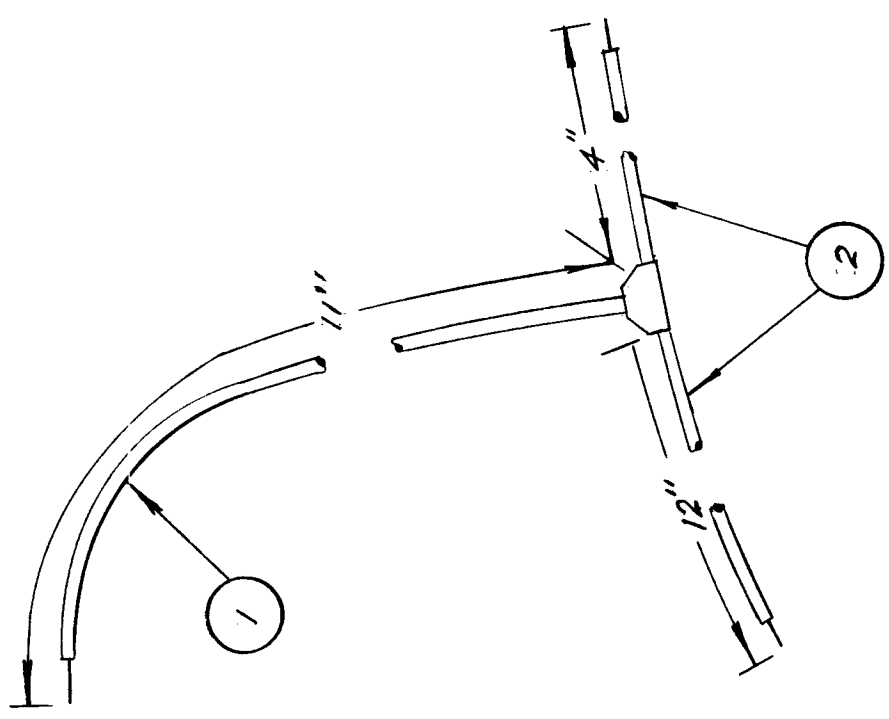


SPECIALLY MANUFACTURED FOR
COMPANY CD-275374
DDP SERIAL 2PV3-4.

TMC (Canada) LIMITED OTTAWA ONTARIO		CORDSET, HEADPHONE	
MODEL PROJECT NO. ASS'Y. NO. DATE 10/9/63	STOCK SIZE MATERIAL TYPE & TEMPER HEAT TREAT. SPEC. FINISH & SPEC. NO.	DRAWN R.B.	ELEC. APP. MECH. DES. APP.
MAXIMUM ALLOWABLE TOLERANCES HAVE BEEN DETERMINED AND DEVIATIONS WILL BE CAUSE FOR REJECTION. REMOVE ALL BURRS AND SHARP EDGES		IF IT IS FOUND DESIRABLE TO CHANGE ANY TOLERANCE OR OTHER DETAIL SPECIFIED ON THIS DRAWING NOTIFY THE PURCHASER PROMPTLY.	
TOLERANCES DEC. DIM. ± FRAC. DIM. ± ANGULAR DIM. ±		SCALE DIMENSIONS IN INCHES UNLESS OTHERWISE SPECIFIED DRILL, PUNCH, COMMERCIAL STOCK SIZES AND MANUFACTURERS TOLERANCES ARE NOT INCLUDED.	
ALL OTHERS	FINAL APPROVAL CA-10147	CHECKED	

CA-10148

ISSUE	ITEM	CHANGED FROM	DATE	CN. NO.	DRAFTS	CHECKER	ENG. APP.	REQ.	ITEM	PART NO.	DESCRIPTION	SYMBOL
								11"	1	WI-114-2	CABLE, TWO CONDUCTOR	
								16"	2	WI-115	CABLE, SINGLE CONDUCTOR	



CA-10146	PROJECT NO.	ASS'Y. NO.	DATE	10-9-63
USED ON				
<p>MAXIMUM ALLOWABLE TOLERANCES HAVE BEEN DETERMINED AND DEVIATIONS WILL BE CAUSE FOR REJECTION. REMOVE ALL BURRS AND SHARP EDGES</p>		<p>IF IT IS FOUND DESIRABLE TO CHANGE ANY TOLERANCE OR OTHER DETAIL SPECIFIED ON THIS DRAWING NOTIFY THE PURCHASER PROMPTLY.</p>		
TOLERANCES				
ALL OTHERS	DEC. DIM. ±	SCALE 5-10045-38		
	FRAC. DIM. ±	DIMENSIONS IN INCHES UNLESS OTHERWISE SPECIFIED		
	ANGULAR DIM. ±	DRILL, PUNCH, COMMERCIAL STOCK SIZES AND MANUFACTURERS TOLERANCES ARE NOT INCLUDED.		
TMC (Canada) LIMITED OTTAWA ONTARIO		MOULDED CABLE		
DRAWN		R.B.W.		
CHECKED		ELEC. DES. A.P. / M.C.S.		
FINISH & SPEC. NO.		FINAL APPROVAL		
		CA-10148		