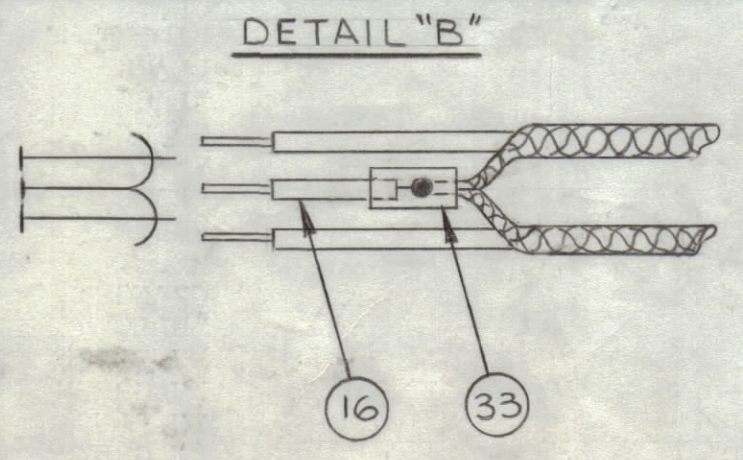
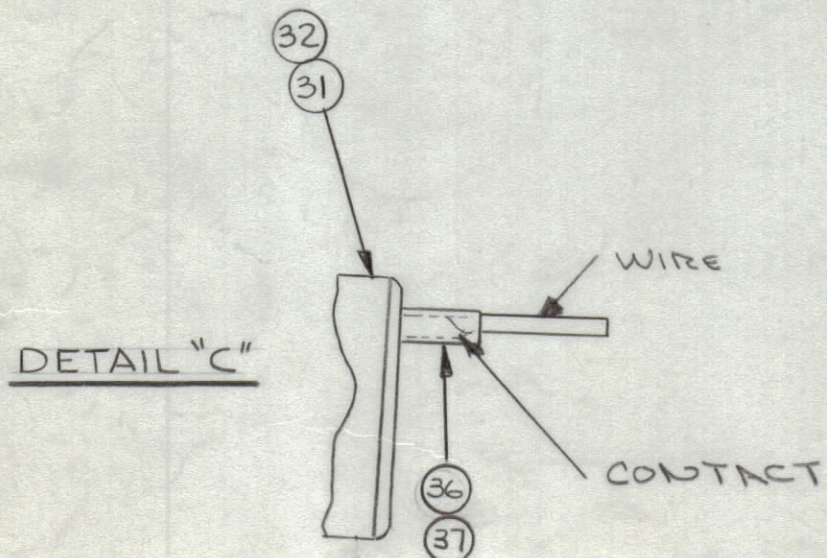
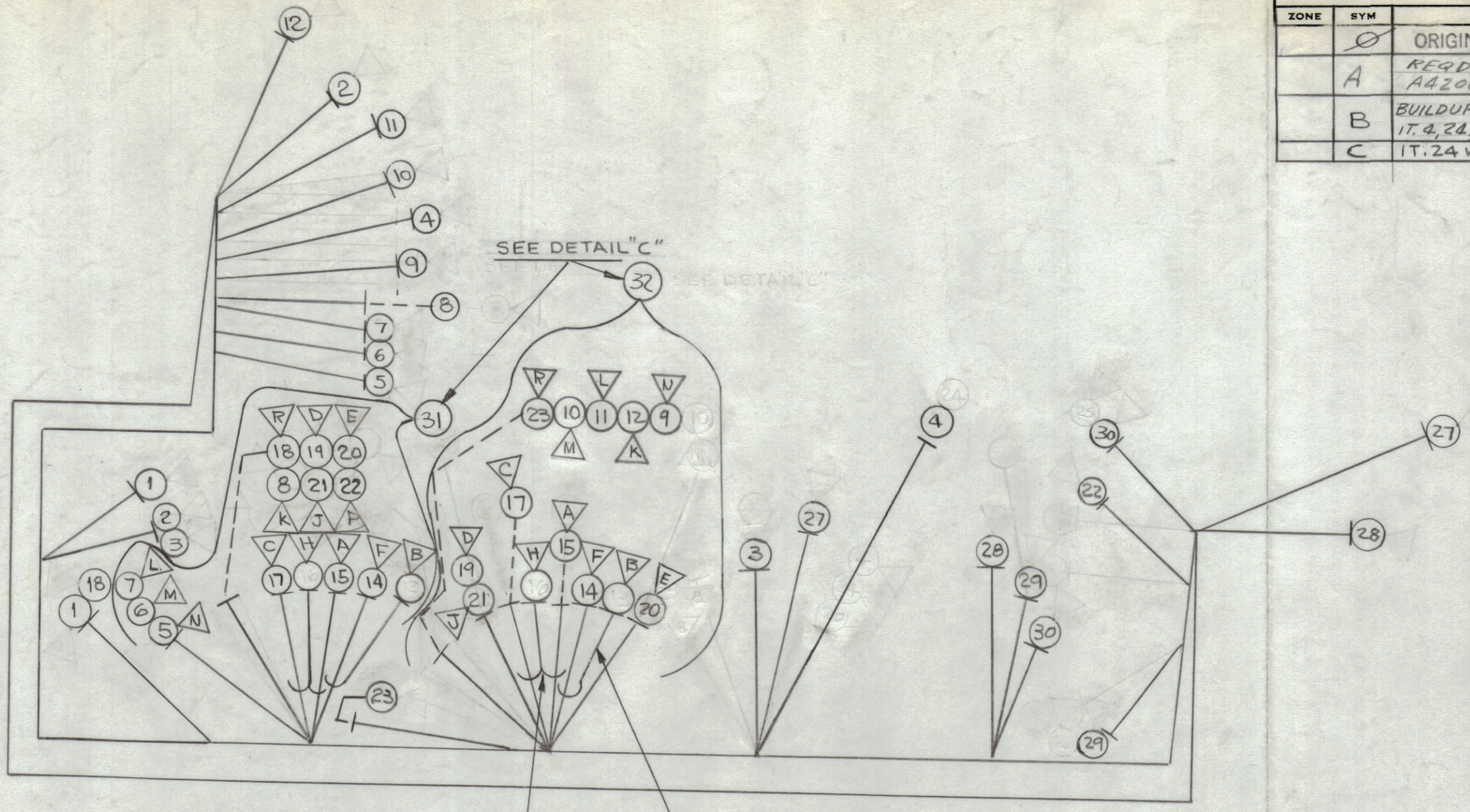


REVISIONS						
ZONE	SYM	DESCRIPTION	DATE	E.M.N. NO.	DRAFT	CHKD APPD
	Ø	ORIGINAL RELEASE FOR PRODUCTION	10/22/65			JLB
A		REQD. COL ADDED, IT 32 WAS JJ200-2 A4206 ADDED TO U/I BLK.	12/1/65	15378	JL	JCB
B		BUILDUP REVISED; ADDED IT. 36, 37; REVISED LEN. IT. 4, 24; RELOCATED IT. 20.	1/27/66	15661	JL	JCB
C		IT. 24 WAS MWC 20 (7) U93	2-9-66	15718	JL	JCB

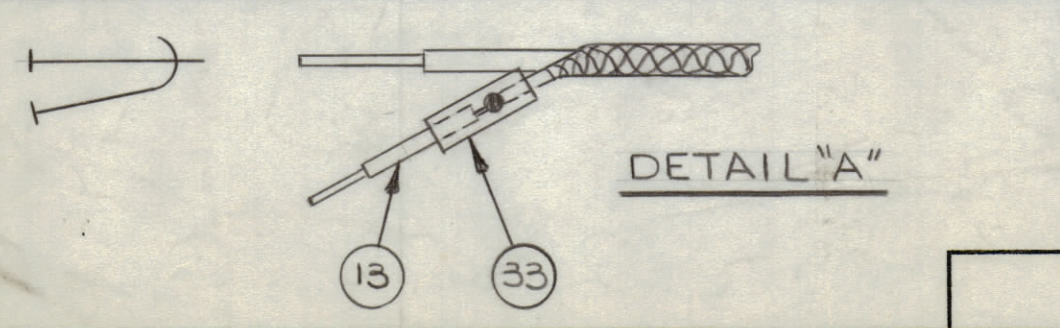


UNLESS OTHERWISE SPECIFIED
WIRES SHOULD BE PLACED IN CABLE IN NUMERICAL SEQUENCE
AS THEY APPEAR IN ITEM COLUMN BY CATEGORY.

1. ALL R.F. CABLES
2. ALL SHIELDED CABLES
3. ALL OTHERS

SPACE LACING APPROXIMATELY 3/4" APART.

THIS SYMBOL DENOTES END OF INSULATION
AND NAIL DRIVING POINT. WIRE MUST BE
STRIPPED 3/4" BEYOND THIS POINT AND
TINNED 1/2" UNLESS OTHERWISE SPECIFIED.



SYMBOLS

○ DENOTES ITEM NO.'S
△ DENOTES PIN NO.'S

NOTES

REQD. ITEM	PART NUMBER	DESCRIPTION	SYMBOL
37	PX100-1-106	INS. SLVG, SZ 10	
36	PX100-1-085	INS. SLVG, SZ 12	
35	BS100	SOLDER, TIN ALLOY	
34	CD101-1-MW	CORD, NYLON, LACING	
33	PX830-18-1	INS, SLEEVING, SHRINK	
32	JJ200-3	CONN, RECP., FEMALE	J101
31	JJ200-1	CONN, RECP., FEMALE	J102
30	MWC20(7)U90	WIRE, ELEC., INS.	WH-BLACK
29	MWC20(7)U92		WH-RED
28	MWC20(7)U8		GREY
27	MWC20(7)U98		WH-GREY
26	DELETED		
25	DELETED		
24	DELETED		
23	MWC20(7)U0		BLACK
22	MWC20(7)U9		WHITE
21	MWC20(7)U91		WH-BROWN
20	MWC20(7)U6		BLUE
19	MWC20(7)U0		BLACK
18	MWC20(7)U0		BLACK
17	MWC22(7)SJ0		BLACK
16	MWC22(7)U0		BLACK
15	MWC22(7)SJ5		GREEN
14	MWC22(7)SJ4		YELLOW
13	MWC22(7)U0		BLACK
12	MWC20(7)U1		BROWN
11	MWC20(7)U2		RED
10	MWC20(7)U3		ORANGE
9	MWC20(7)U4		YELLOW
8	MWC20(7)U90		WH-BLACK
7	MWC20(7)U95		WH-GREEN
6	MWC20(7)U96		WH-BLUE
5	MWC20(7)U98		WH-GREY
4	MWC20(7)U93		WH-ORANGE
3	MWC20(7)U0		BLACK
2	MWC20(7)U5		GREEN
1	MWC20(7)U0	WIRE, ELEC., INS.	BLACK

LIST OF MATERIAL			
MATERIAL		THE TECHNICAL MATERIEL CORP. MAMARONECK, NEW YORK	
FINISH		TITLE WIRING HARNESS, BRANCHED	
DRAWN	DATE	FINAL APPROVAL	DATE
EAENZA	9-23-65	[Signature]	10/22/65
CHECKED	DATE	REV. LTR.	
JL	3/29/65	CA1096 C	
ELECT. DES.	DATE	SHEET	
JL		REV. LTR.	
MECH. DES.	DATE	SHEET	
		REV. LTR.	

Q'TY./UNIT	MODEL USED ON	ASS'Y. NO.
1	TPCK-1	A4206
SCALE	CODE	
1/1		

THE CONTENTS OF THIS DRAWING ARE THE EXCLUSIVE PROPERTY
OF THE TECHNICAL MATERIEL CORP. ITS UNAUTHORIZED USE OR
REPRODUCTION IN WHOLE OR IN PART IS STRICTLY FORBIDDEN.

UNLESS OTHERWISE SPECIFIED
DIMENSIONS ARE IN INCHES AND INCLUDE
CHEMICALLY APPLIED OR PLATED FINISHES

DECIMALS: .XX ± .01, .XXX ± .005
FRACTIONS: ± 1/64, ANGLES: ± 0° 30'