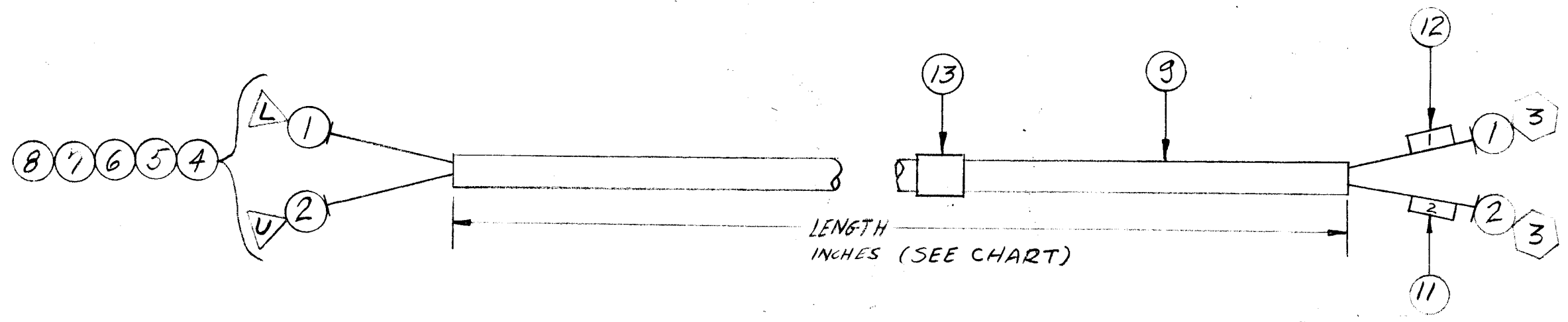


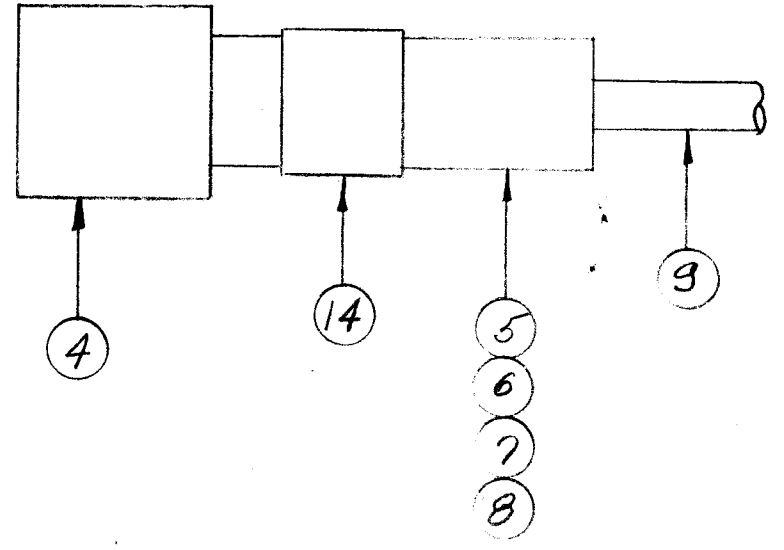
TMC PART NO.	LENGTH	ITEM 11	ITEM 12	ITEM 13	ITEM 14
CA1051-1	62.00	LA101-2	LA101-1	LA107-9-CA1051-1	LA107-20-J8005
CA1051-2	39.00	LA101-2	LA101-1	LA107-9-CA1051-2	LA107-20-J8005

CA1051 A

REVISIONS					
SYM	DESCRIPTION	DATE	E.M.N. NO.	DRAFT	CHKD APPD
X					
X1	ITEM 4 WAS PL212-4	11/3/65			
X2	IT. 11 WAS LA107-4-172, IT. 12 WAS LA107-4-171, IT. 13 " LA107-9-1220, IT. 14 " LA107-20-1207	4/29/66	M	Jc	Zg
Ø	ORIGINAL RELEASE FOR PRODUCTION	4/29/66	M	Jc	
A	ON CHART TMC P/N CA1051-2 ADDED	2-23-67	17839	G-DL	



USE SLEEVING ITEM 10 ON CONTACTS.



REQ'D.	ITEM	PART NUMBER	DESCRIPTION	SYMBOL
	15	BS100	SOLDER, TIN ALY	
1	14	SEE CHART	SLEEVE, MARKER, CABLE, SPLIT	
1	13	SEE CHART		
1	12	SEE CHART		
1	11	SEE CHART		
	10	PX100-1-095	INSULATION, SLEEVING	
	9	PX100-1-133	INSULATION, SLEEVING	
1	8	MS3420-4A	BUSHING, RUBBER	
1	7	-6A		
1	6	-8A		
1	5	MS3420-12A		
1	4	PL212-3	CONNECTOR, PLUG, MALE	
2	3	TE120-2	LUG, SPADE	
	2	MWC20(7)U2	WIRE, ELEC, INS	
	1	MWC20(7)U0	WIRE, ELEC, INS	

E.NAP LIST OF MATERIAL				
MATERIAL		THE TECHNICAL MATERIEL CORP. MAMARONECK, NEW YORK		
FINISH		TITLE CABLE ASSY, SPECIAL PURPOSE		
UNLESS OTHERWISE SPECIFIED DIMENSIONS ARE IN INCHES AND INCLUDE CHEMICALLY APPLIED OR PLATED FINISHES		DRAWN JWA	DATE 4/29/66	FINAL APPROVAL [Signature]
DECIMALS .X ± .05 .XX ± .01 .XXX ± .005		CHECKED JWA	DATE 7/22/65	DATE 4/29/66
FRACTIONS ± 1/64 ANGLES ± 0° 30'		ELECT. DES.	DATE	DATE
TOLERANCES		MECH. DES.	DATE	DATE
		SHEET		REV. LTR.

1	TSTE-10K	CA1052
Q'TY./UNIT	MODEL USED ON	ASS'Y. NO.
SCALE	CODE	

NOTES

THE CONTENTS OF THIS DRAWING ARE THE EXCLUSIVE PROPERTY OF THE TECHNICAL MATERIEL CORP. ITS UNAUTHORIZED USE OR REPRODUCTION IN WHOLE OR IN PART IS STRICTLY FORBIDDEN.

UNLESS OTHERWISE SPECIFIED
DIMENSIONS ARE IN INCHES AND INCLUDE
CHEMICALLY APPLIED OR PLATED FINISHES

CA1051 A