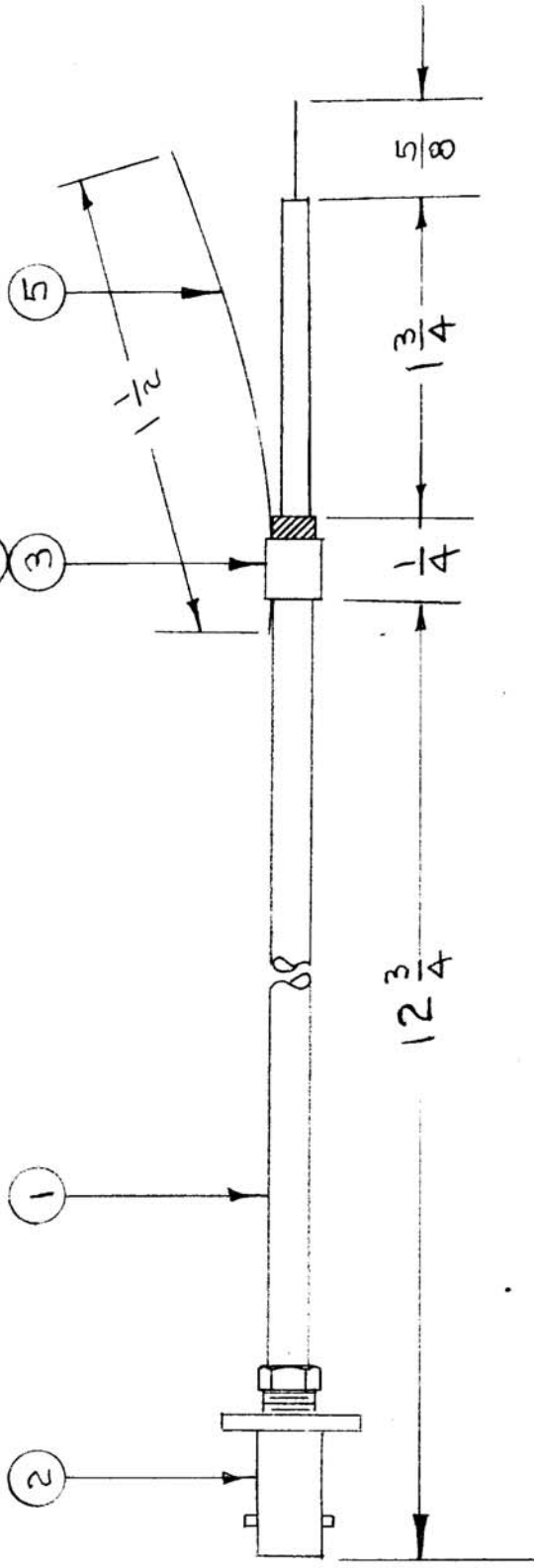


IF IT IS FOUND DESIRABLE TO CHANGE ANY TOLERANCE OR OTHER DETAIL SPECIFIED ON THIS DRAWING NOTIFY THE PURCHASER PROMPTLY.

MAXIMUM ALLOWABLE TOLERANCES HAVE BEEN DETERMINED AND DEVIATIONS WILL BE CAUSE FOR REJECTION. REMOVE ALL BURRS AND SHARP EDGES

INSTALL PER S-166



CA-171 B

USED ON

MODEL	PROJECT NO.	ASSY. NO.	DATE
DMK-4	140	A-155	5-28-53

REQ. ITEM	PART NO.	DESCRIPTION	SYMBOL
1/2" 5	WL-103-1	SHIELD, FLEXIBLE	
1 4	CU-101-4	FERRULE (OUTER)	
1 3	CU-101-3	FERRULE (INNER)	
1 2	UG-262/U	CONNECTOR, R.F.	
145/8" 1	RG 59/U	CABLE	.

THE TECHNICAL MATERIEL CORP.
MAMARONECK, NEW YORK

CABLE ASSEMBLY

STOCK SIZE	WEIGHT PER PC.
#	#
MATERIAL	
TYPE & TEMPER	
HEAT TREAT. SPEC.	
FINISH & SPEC. NO.	

ISSUE ITEM	CHANGED FROM	DATE	CN. NO.	DRAFTS CHECKER	ENG. APP.
B 2	12 3/4 WAS 13	4/8/54	2	JHR	
A 1	1FD ADDED CR-46	7/25/54	1	W	

TOLERANCES

DEC. DIM. ±
FRAC. DIM. ±
OTHERS ANGULAR DIM. ±

DRILL, PUNCH, COMMERCIAL STOCK SIZES AND MANUFACTURERS TOLERANCES ARE NOT INCLUDED.

CHECKED
DRAWN
ELEC. DES. APP.
MECH. DES. APP.

FINAL APPROVAL

CA-171 B