

OBSCLETE

IF IT IS FOUND DESIRABLE TO CHANGE ANY TOLERANCE OR OTHER DETAIL SPECIFIED ON THIS DRAWING NOTIFY THE PURCHASER PROMPTLY.

MAXIMUM ALLOWABLE TOLERANCES HAVE BEEN DETERMINED AND DEVIATIONS WILL BE CAUSE FOR REJECTION. REMOVE ALL BURRS AND SHARP EDGES

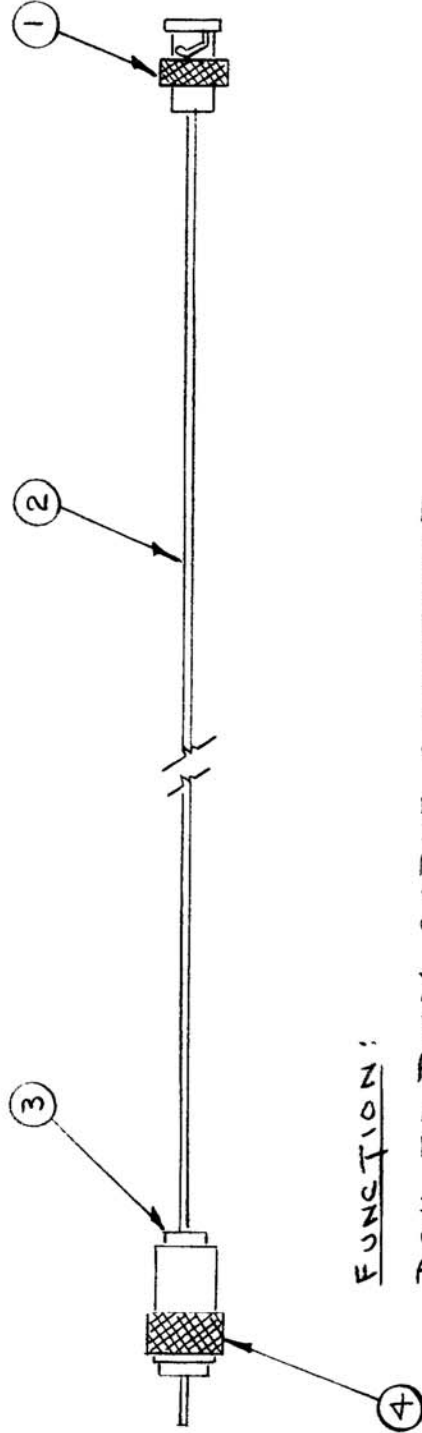
3/9/54

USED ON

MODEL PROJECT NO. ASS'Y. NO. DATE

DDR-2 5/19/53

LENGTH OVERALL 13"



FUNCTION:

DCU TO DVM CABLE CONNECTOR

1	4	PL-259	PLUG	DESCRIPTION	SYMBOL
1	3	UG-176/U	ADAPTER	THE TECHNICAL MATERIEL CORP.	
12"	2	RG-59/U	CABLE	MAMARONECK, NEW YORK	
1	1	UG-260/U	PLUG	CABLE ASSEMBLY	
REQ. ITEM	PART NO.				
STOCK SIZE					
MATERIAL		WEIGHT PER PC.			
TYPE & TEMPER		ELEC. DES. APP. MECH. DES. APP.			
HEAT TREAT. SPEC.		DRAWN			
FINISH & SPEC. NO.		CHECKED			
		FINAL APPROVAL			

ISSUE ITEM	CHANGED FROM	DATE	CN. NO.	DRAFTS	CHECKER	ENG. APP.
TOLERANCES						
ALL	DEC. DIM. ±	DRILL, PUNCH, COMMERCIAL STOCK				
OTHERS	FRAC. DIM. ±	SIZES AND MANUFACTURERS				
	ANGULAR DIM. ±	TOLERANCES ARE NOT INCLUDED.				