

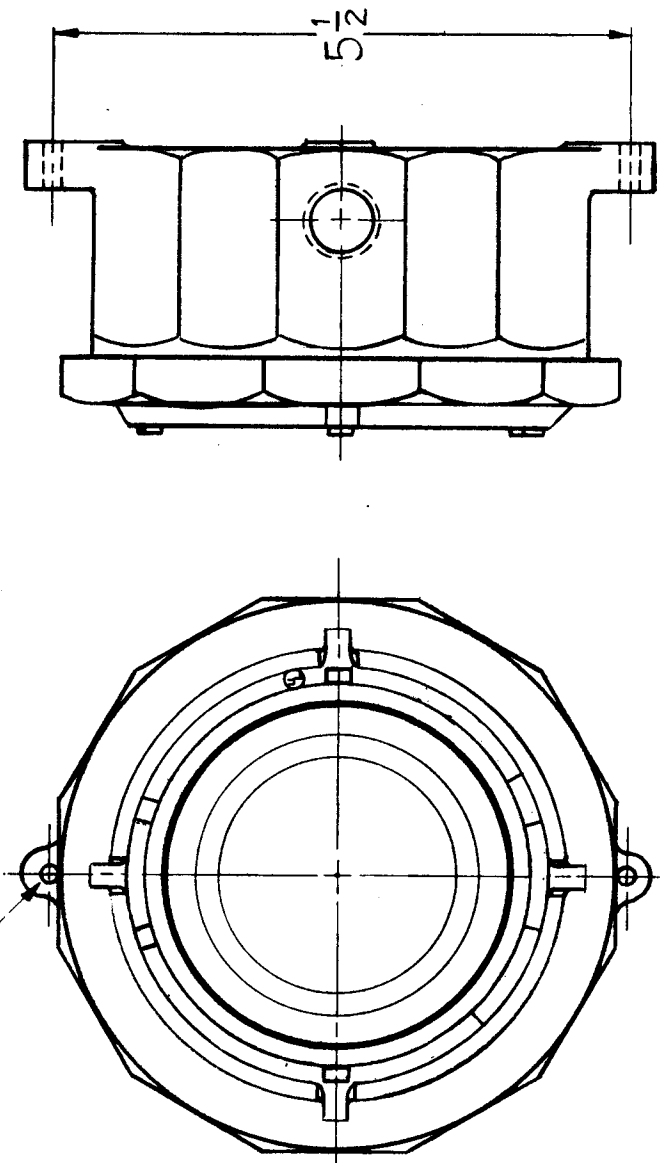
BZ-100 B

USED ON
ASSY. NO. DATE
4-11-59

REQ. PER UNIT
MODEL
GPT-10K

ELEC. SPEC.
230V 60~

$\frac{3}{8}$ (375) DIA. ~ 2REQ.



ORIGINAL PART
NO LONGER AVAILABLE
REPLACE BY PO A 5851

REQ. ITEM	CH. NO.	DATE	DRAFTS	CHECKER	ENG. APP.	REG. ITEM	PART NO.	DESCRIPTION	SYMBOL
B	6-10-85	22/04	GDL	JCB	JCB			THE TECHNICAL MATERIEL CORP. MAMARONECK, NEW YORK	
A	3/8 DIA WAS 11/32 DIA.	4/27/59	1	JCB	JCB			BUZZER, 230VAC	
ISSUE ITEM CHANGED FROM						J.C. BIELE			
TOLERANCES						DRAWN			
DEC. DIM. ±						TYPE & TEMPER			
FRAC. DIM. ±						HEAT TREAT. SPEC.			
ANGULAR DIM. ±						FINISH & SPEC. NO.			
MAXIMUM ALLOWABLE TOLERANCES HAVE BEEN DETERMINED AND ANY DEVIATIONS WILL BE CAUSE FOR REJECTION. REMOVE ALL BURRS AND SHARP EDGES						MATERIAL			
SCALE: 5401-45 (SWP 8699)						J.C. BIELE			
						CHECKED			
						FINAL APPROVAL			
						BZ-100 B			