

5

4

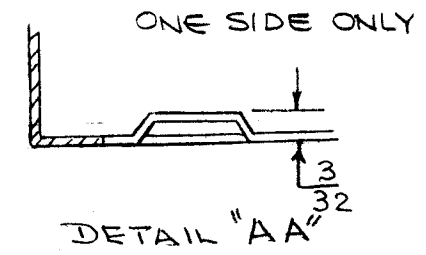
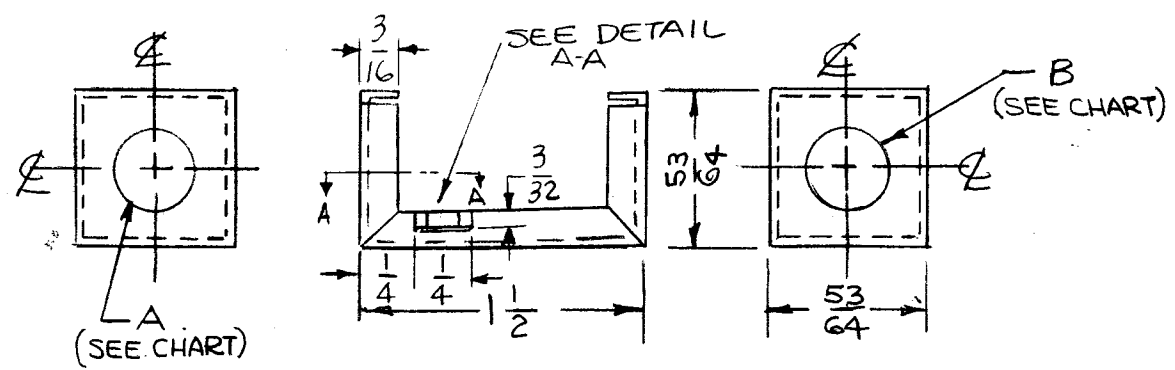
3

2

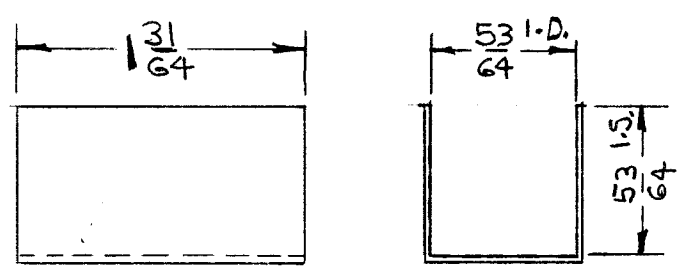
1

REVISIONS

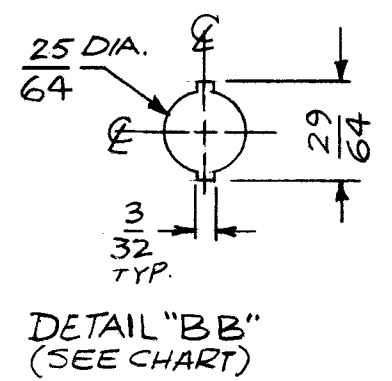
ZONE	LTR	DESCRIPTION	DATE	E.M.N.NO	DRAFT	CHKD	APPD
	X	EXPERIMENTAL RELEASE	12/13/67	X	JAD		
	Ø	ORIG. RELEASE FOR PROD.	12-20-67	Ø	R.G.		JAD
	A	DETAIL "BB" ADDED & UPDATED	18878		H.S.		EFM



CASE



COVER



DETAIL "BB" (SEE CHART)

TMC P/N	A-DIA	B-DIA.
BX 226	.437	.515
BX 226-2	SEE CHART "BB"	.312

REQ'D	ITEM	PART NUMBER	DESCRIPTION	SYM.
	MARTINENGO LIST OF MATERIAL			

1	AX8054	AX8054
1	SW 346	2A4682
QTY / UNIT	MODEL USED ON	ASS'Y NO.
APPLICATION		
	CODE	S401-451
	A	

UNLESS OTHERWISE SPECIFIED DIMENSIONS ARE IN INCHES AND INCLUDE CHEMICALLY APPLIED OR PLATED FINISHES

DECIMALS: .X ± .05, .XX ± .01, .XXX ± .005
 FRACTIONS: 1/64, ANGLES: 0°-30'

MATERIAL: .019 THICK HARD BRASS
 FINISH: BRIGHT BRASS

FINAL APPROVAL	DATE
MECH. DES.	DATE
ELECT. DES.	DATE
CHECKED	DATE
DRAWN	DATE

THE TECHNICAL MATERIEL CORP. MAMARONECK, NEW YORK			
CASE & COVER			
SIZE	CODE IDENT. NO.	DWG NO.	ISSUE
B	82679	BX 226	A
SCALE	1:1	SHEET	OF

NOTICE TO PERSONS RECEIVING THIS DRAWING
 THE TECHNICAL MATERIEL CORPORATION claims proprietary right in the material disclosed hereon. This drawing is issued in confidence for engineering information only and may not be reproduced or used to manufacture anything shown hereon without permission from THE TECHNICAL MATERIEL CORPORATION to the user. This drawing is loaned for mutual assistance and is subject to recall at any time.