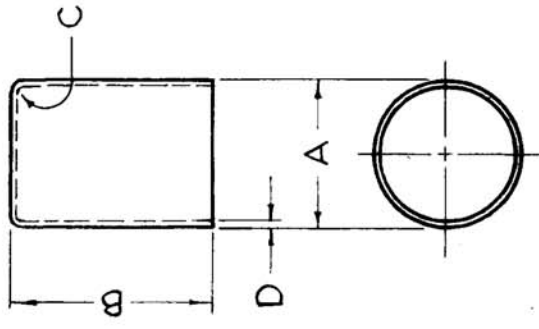


THE CONTENTS OF THIS DRAWING ARE THE EXCLUSIVE PROPERTY OF THE TECHNICAL MATERIEL CORP. ITS UNAUTHORIZED USE FOR REPRODUCTION IN WHOLE OR IN PART IS STRICTLY FORBIDDEN.

REQ. PER UNIT: _____
 MODEL: _____
 ASS'Y. NO.: _____
 DATE: _____

BX-208 0

TMC PT. NO.	MFG. PT. NO.	A	B	C	D	MATERIAL ^{SEE CHART}	FINISH
BX-208-1	HU-1523	15/16	55/64	1/16	.019	2	NONE



MATERIAL CHART

1	ALUMINIUM	5	MUMETAL
2	BRASS	6	STAINLESS STEEL
3	COPPED	7	NICKEL SILVER
4	STEEL		

SYM	DESCRIPTION	DATE	CH. NO.	DRAFTS	CHECKER	ENG. APP.	SCALE	CODE
0	ORIGINAL RELEASE	5.18.64		ASB			NONE	5.401-28
UNLESS OTHERWISE SPECIFIED DIMENSIONS ARE IN INCHES AND INCLUDE CHEMICALLY APPLIED OR PLATED FINISHES								
TOLERANCES								
FRACTIONS ± 1/64 ANGLES ± 0° 30'								
DECIMALS .X ± .05 .XX ± .01 .XXX ± .005								
REQ. ITEM	PART NO.	F. BUDETTI DESCRIPTION						
		THE TECHNICAL MATERIEL CORP. MAMARONECK, NEW YORK						
		CASE, ROUND						
TYPE & TEMPER	HEAT TREAT. SPEC.	DRAWN	CHECKED	FINAL APPROVAL				
		John C. Biele	AA	RBC				
FINISH & SPEC. NO.		ELEC. DES. APP. MECH. DES. APP.						
		BX-208 0						