

STANDARD DRAWING

THE CONTENTS OF THIS DRAWING ARE THE EXCLUSIVE PROPERTY OF THE TECHNICAL MATERIEL CORP. ITS UNAUTHORIZED USE FOR REPRODUCTION IN WHOLE OR IN PART IS STRICTLY FORBIDDEN.

REQ. PER UNIT
1

MODEL
TRX-1

USED ON ASSY. NO.

DATE
2-27-63

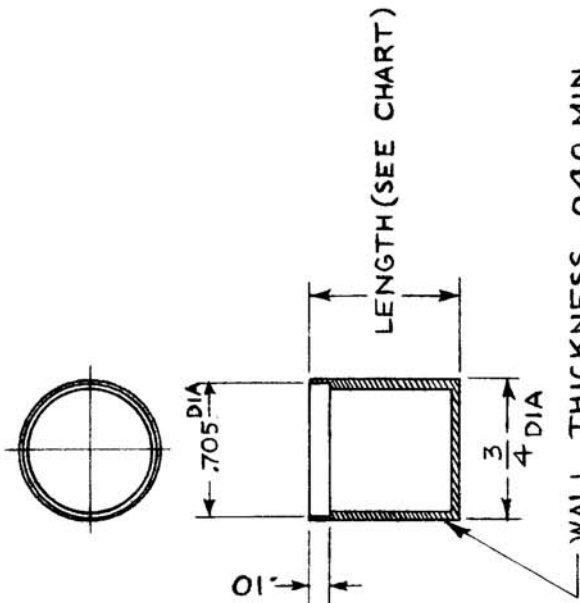
BX-204

TMC PART NO.	MFGR PART NO.	LENGTH	COLOR
BX-204-1	E1041-1	5/8	BLACK
BX-204-2	E1041-2	3/4	BLACK
BX-204-3	E1041-3	1/2	BLACK
BX-204-4	E1041-4	7/16	BLACK

SPECIFICATIONS

ELECTRICAL;

1. TEMP. RANGE: CONTINUOUS OPERATION UP TO 400°F.



WALL THICKNESS .040 MIN
MATING HEADER: TMC P/N PO-261

REQ. ITEM	PART NO.	J. STRUMER DESCRIPTION		SYMBOL
	#	THE TECHNICAL MATERIEL CORP. MAMARONECK, NEW YORK		
EPOXY #105		CASE, CYLINDRICAL		
MATERIAL		PLASTIC		
TYPE & TEMPER	HEAT TREAT. SPEC.	DRAWN	CHECKED	FINAL APPROVAL
SEE CHART		<i>JMA</i>	<i>JMA</i>	<i>BP</i>
FINISH & SPEC. NO.		E.C. DES. APP. MCH. DES. APP.		BX-204
DATE	CH. NO.	DRAFTS	CHECKER	ENG. APP.
UNLESS OTHERWISE SPECIFIED DIMENSIONS ARE IN INCHES AND INCLUDE CHEMICALLY APPLIED OR PLATED FINISHES		SCALE FULL		
DECIMALS .X ± .05 .XX ± .01 .XXX ± .005	FRACTIONS ± 1/64 ANGLES, ± 0° 30'	CODE S-401-204		
TOLERANCES				