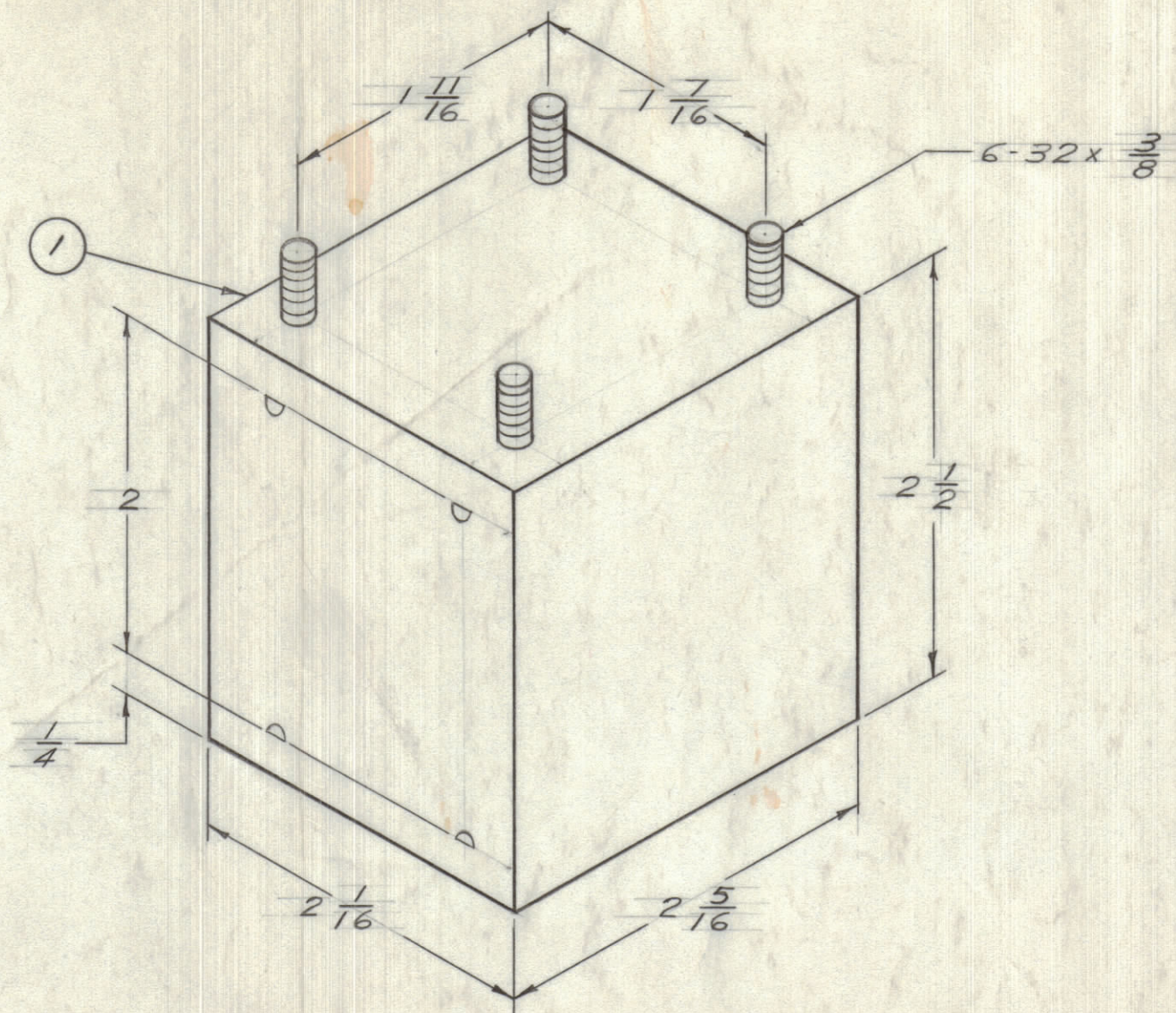
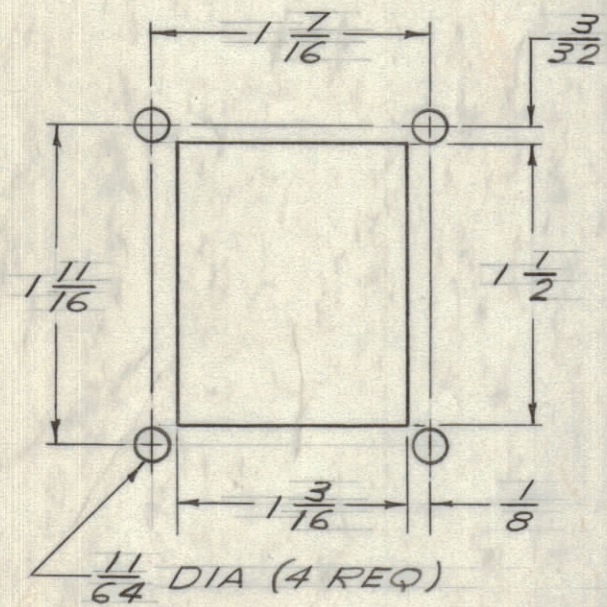


IF IT IS FOUND DESIRABLE TO CHANGE ANY TOLERANCE OR OTHER DETAIL SPECIFIED ON THIS DRAWING NOTIFY THE PURCHASER PROMPTLY.		DIMENSIONS IN INCHES UNLESS OTHERWISE SPECIFIED					
MAXIMUM ALLOWABLE TOLERANCES HAVE BEEN DETERMINED AND DEVIATIONS WILL BE CAUSE FOR REJECTION. REMOVE ALL BURRS AND SHARP EDGES.							
ISSUE	ITEM	CHANGED FROM	DATE	CN. NO.	DRAFTS	CHECKER	ENG. APP.

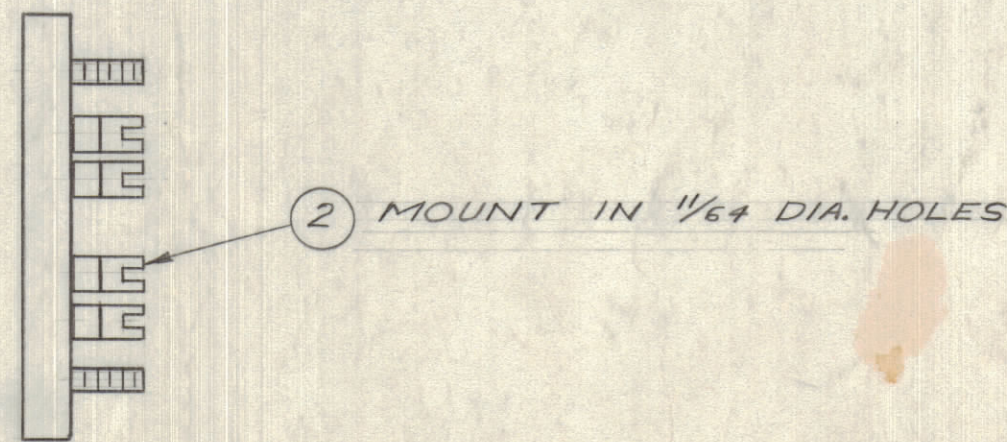
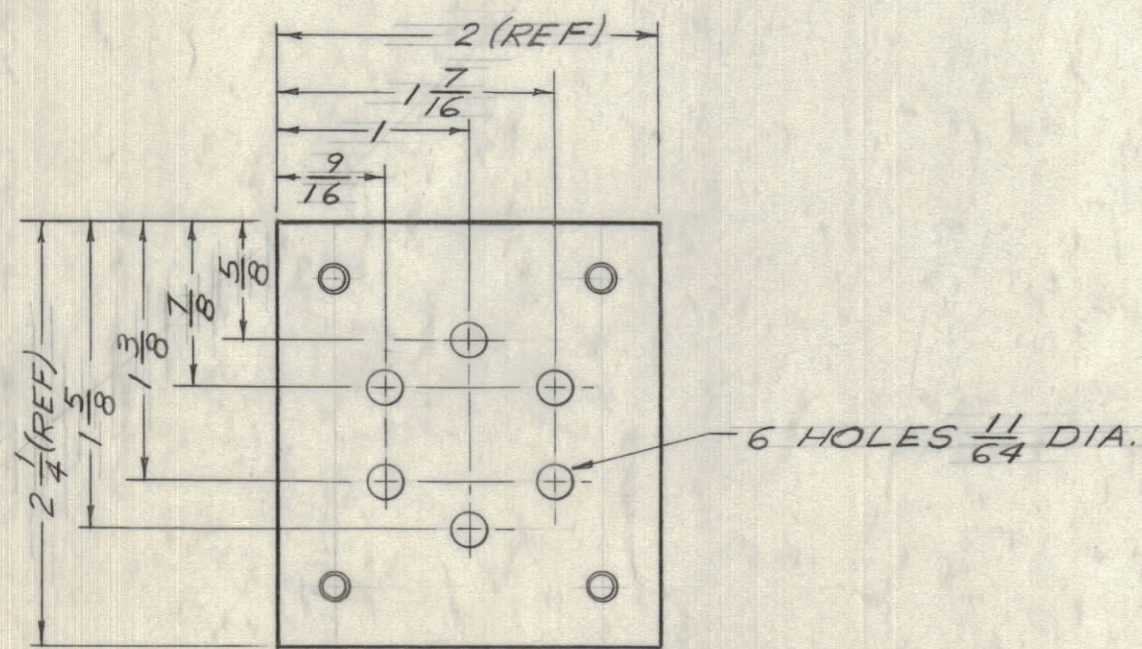
REQ.	ITEM	PART NO.	DESCRIPTION	SYMBOL
1	1	BX100-85	BOX	
6	2	TE101-1	TERMINAL	

MOUNTING DETAILS



DIMENSIONS FOR REFERENCE

BX10016 ϕ



MODIFICATION TO BASE

TOLERANCES		SCALE: 1:1
ALL OTHERS	DEC. DIM. \pm FRAC. DIM. \pm ANGULAR DIM. \pm	DRILL, PUNCH, COMMERCIAL STOCK SIZES AND MANUFACTURERS TOLERANCES ARE NOT INCLUDED.

TRO 82	020/66	A 10365	10 NOV 65
MODEL	PROJECT NO.	ASS'Y. NO.	DATE

STOCK SIZE		TMC (Canada) LIMITED OTTAWA ONTARIO	
SEE ITEM #1		CASE, TRANSFORMER	
MATERIAL	WEIGHT PER PC.		
TYPE & TEMPER		RD	100
HEAT TREAT. SPEC.		CHECKED	FINAL APPROVAL
FINISH & SPEC. NO.		BX10016 ϕ	