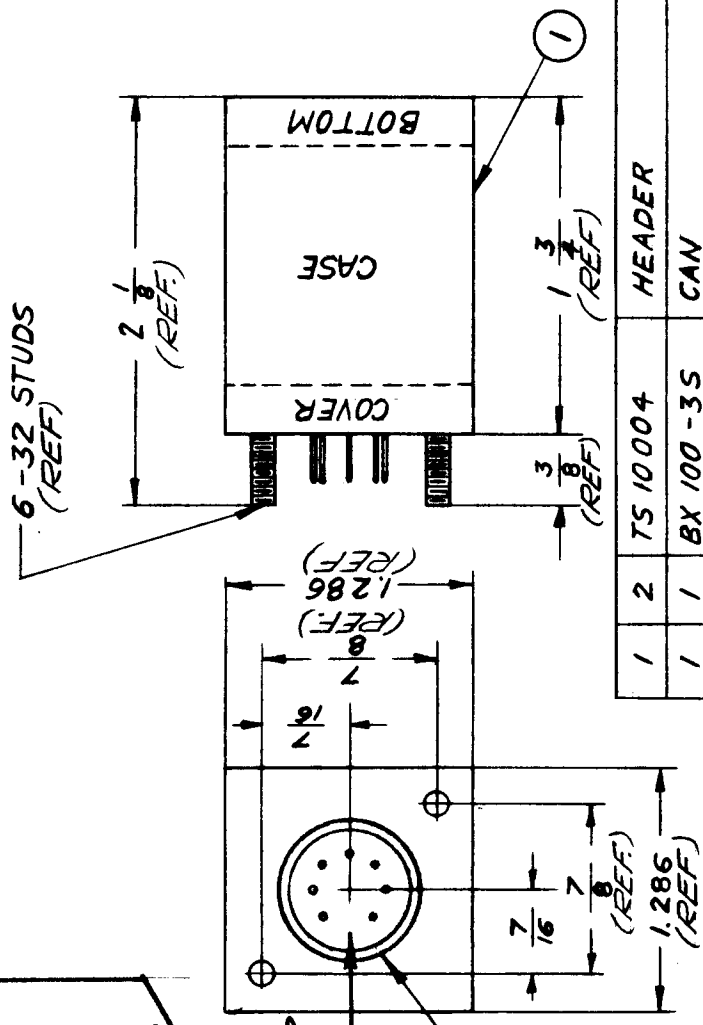
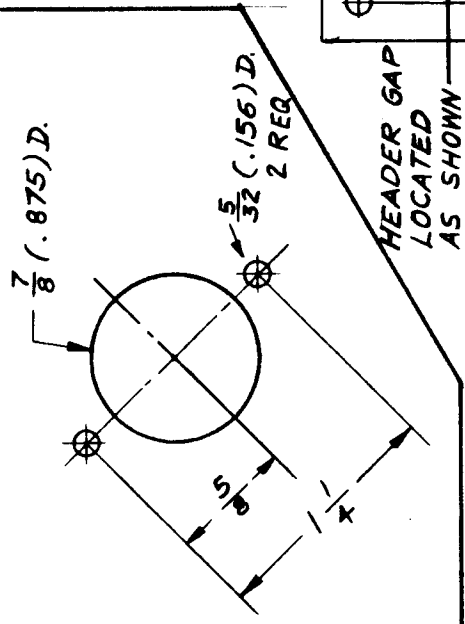


BX 10015

IF IT IS FOUND DESIRABLE TO CHANGE ANY TOLERANCE OR OTHER DETAIL SPECIFIED ON THIS DRAWING NOTIFY THE PURCHASER PROMPTLY.		USED ON	
MAXIMUM ALLOWABLE TOLERANCES HAVE BEEN DETERMINED AND DEVIATIONS WILL BE CAUSE FOR REJECTION. REMOVE ALL BURRS AND SHARP EDGES		MODEL	PROJECT NO.
		ASS'Y. NO.	DATE

MOUNTING DETAIL



1	2	TS 10004	HEADER		
1	1	BX 100-3S	CAN		
REQ. ITEM	PART NO.	DESCRIPTION		SYMBOL	
.019 - .025		TMC (Canada) LIMITED		ONTARIO	
STEEL		CASE, TRANSFORMER			
MATERIAL		WEIGHT PER PC.			
TYPE & TEMPER		HEAT TREAT. SPEC.			
HOT TINNED		FINISH & SPEC. NO.			
FINISH & SPEC. NO.		ELEC. DES. APP.		MECH. DES. APP.	
DRAWN		CHECKED		FINAL APPROVAL	
Huro.		R.D.		BX 10015	
				A	

ISSUE	ITEM	CHANGED FROM	DATE	CN. NO.	DRAFT'S	CHECKER	ENG. APP.
A	REV PER CEMU	988	1/17				
TOLERANCES							
SCALE 1:1							
DIMENSIONS IN INCHES							
UNLESS OTHERWISE SPECIFIED							
DRILL, PUNCH, COMMERCIAL STOCK							
SIZES AND MANUFACTURERS							
TOLERANCES ARE NOT INCLUDED.							
DEC. DIM. ±		FRAC. DIM. ± 1/64		ANGULAR DIM. ±			