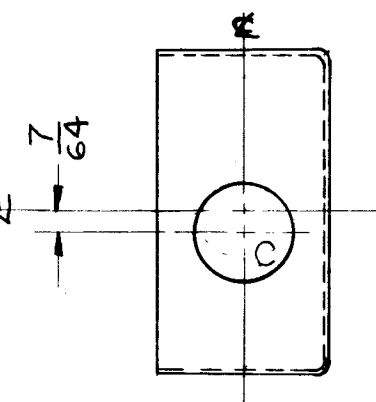
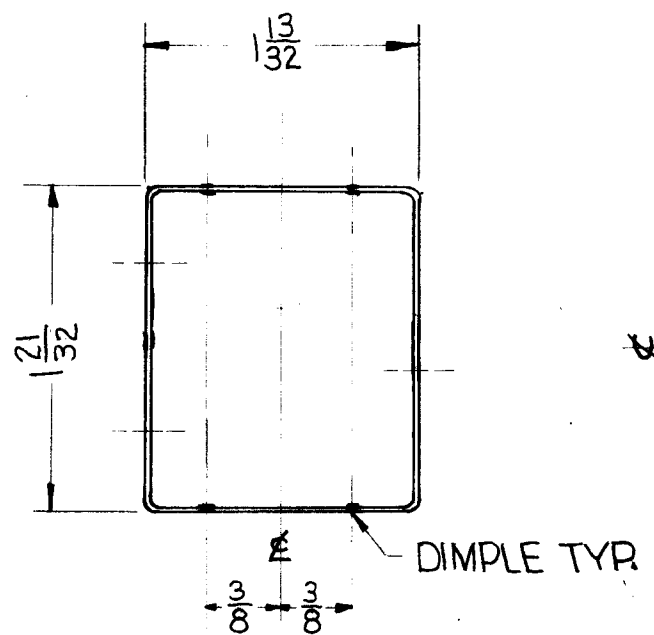
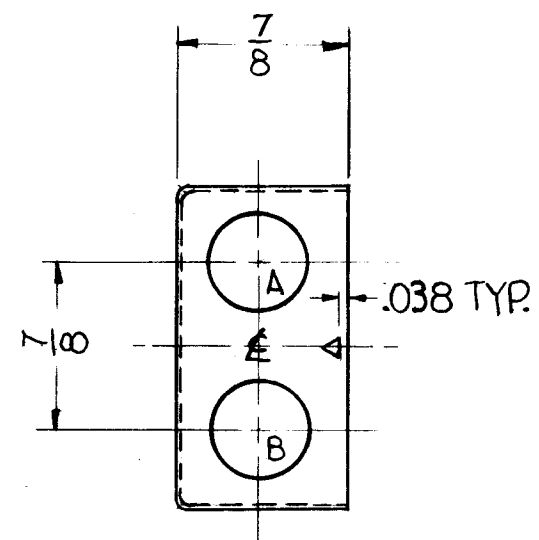
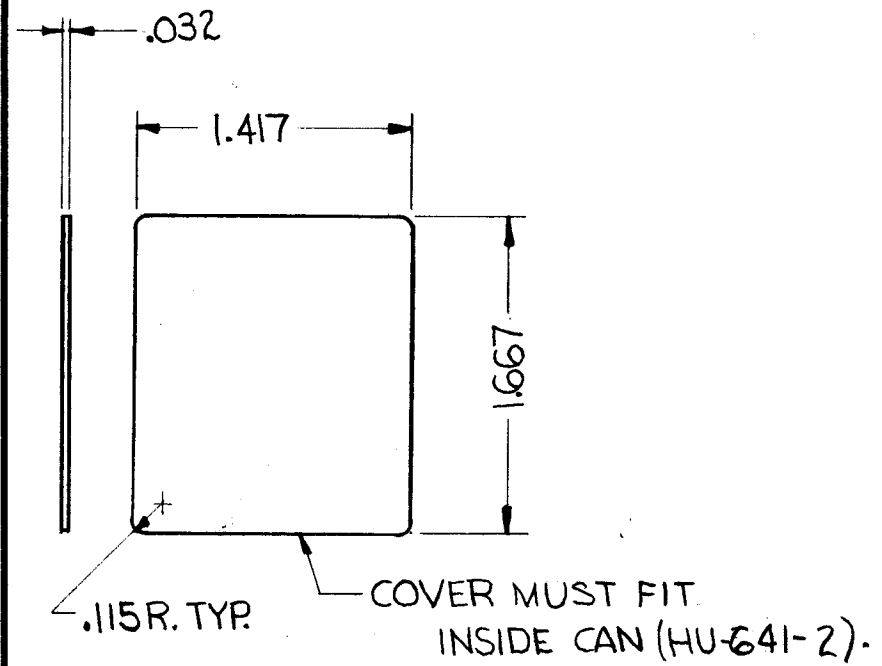


TMC PART NO.	A-DIA.	B-DIA.	C-DIA.
BX 199 -1	.437	.437	.515
BX 199 -2	.515	.515	.515
BX 199 -3			
BX 199 -4			

D  
BX199

REVISIONS					
SYM	DESCRIPTION	DATE	E.M.N. NO.	DRAFT	CHKD
A	DELETED PART NO. (HU-641-2C)	7-25-62	6976	SRG	
B	ON RIGHT SIDE VIEW, (1) DIMPLE DELETED	12-7-62	7829	GR	
C	CHGD. "A", "B", "C" DIMS. ON CHART SW306 W/BX109-4 SW307 W/BX109-3	4-12-66	16087	H.L.A.	
D	P/N CHART ALL .515 DIA. WERE .500	4.16.68	18872	H.S.	E.F.M.



NOTICE TO PERSONS RECEIVING THIS DRAWING

THE TECHNICAL MATERIEL CORPORATION claims proprietary right in the material disclosed hereon. This drawing is issued in confidence for engineering information only and may not be reproduced or used to manufacture anything shown hereon without permission from THE TECHNICAL MATERIEL CORPORATION to the user. This drawing is loaned for mutual assistance and is subject to recall at any time.

Property of:

THE TECHNICAL MATERIEL CORPORATION  
MAMARONECK, NEW YORK

NOTE:  
ALL RADII  $\frac{7}{64}$   
REMOVE ALL FOREIGN MATTER FROM CAN AND COVER, SURFACE MUST BE CLEAN.

Q'TY./UNIT	MODEL USED ON	TMC PART NO.
	SW-409	BX 199-1
	SW-317	BX 199-1
	SW-308	BX 199-2
	SW-307	BX 199-2
	SW-306	BX 199-2
	SW-305	BX 199-1

SCALE	CODE	S-401-184
DO NOT SCALE		S-401-28 PART NO. HU-641-2

THE CONTENTS OF THIS DRAWING ARE THE EXCLUSIVE PROPERTY OF THE TECHNICAL MATERIEL CORP. ITS UNAUTHORIZED USE OR REPRODUCTION IN WHOLE OR IN PART IS STRICTLY FORBIDDEN.

REQ'D.	ITEM	PART NUMBER	DESCRIPTION	SYMBOL
PRITCHARD LIST OF MATERIAL				
MATERIAL			THE TECHNICAL MATERIEL CORP. MAMARONECK, NEW YORK	
.019 BRASS UNLESS OTHERWISE SPECIFIED			TITLE CASE AND COVER QDM SERIES	
FINISH			DRAWN R. Lurchin DATE 5-21-62	
BRIGHT DIP			CHECKED J.W. DATE 5-25-62	
UNLESS OTHERWISE SPECIFIED DIMENSIONS ARE IN INCHES AND INCLUDE CHEMICALLY APPLIED OR PLATED FINISHES			ELECT. DES. DATE	
DECIMALS			MECH. DES. DATE 6/25/62	
.X ± .05			SHEET	
.XX ± .01			REV. LTR.	
.XXX ± .005			D	
FRACTIONS			D	
± 1/64			D	
ANGLES			D	
± 0° 30'			D	