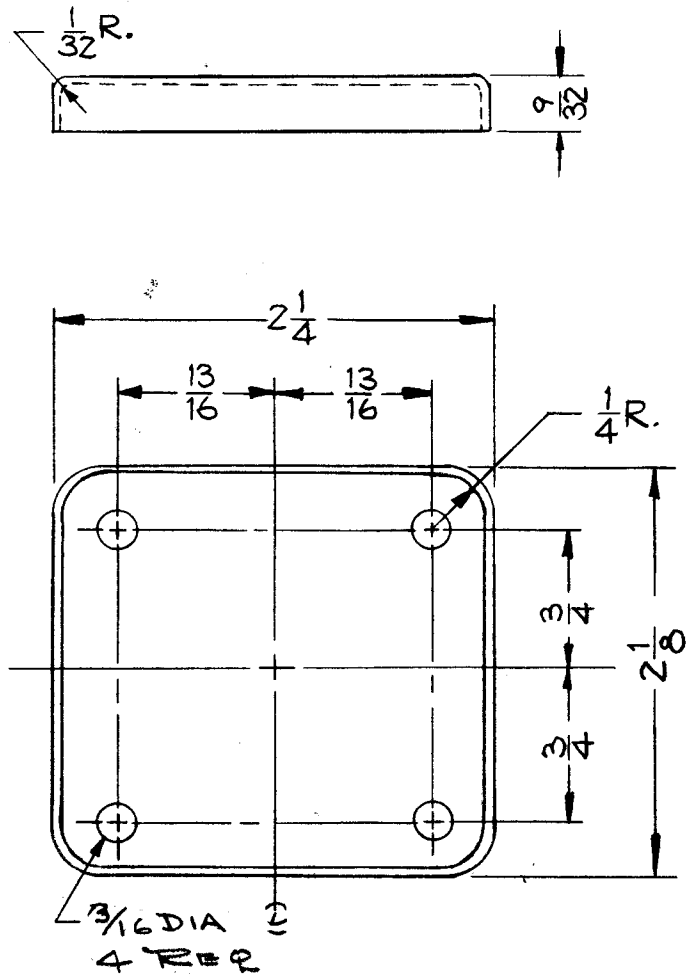
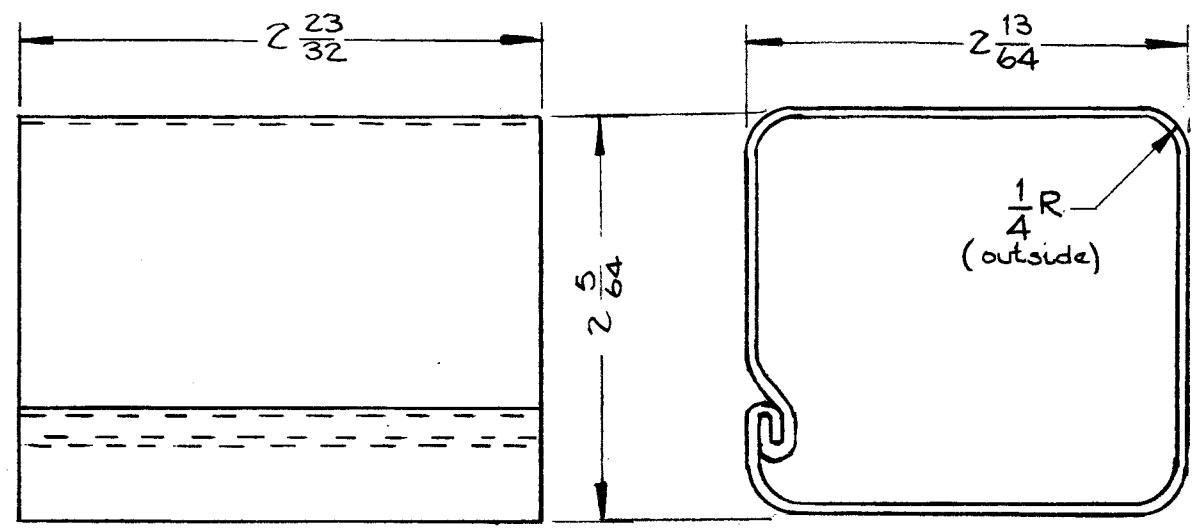


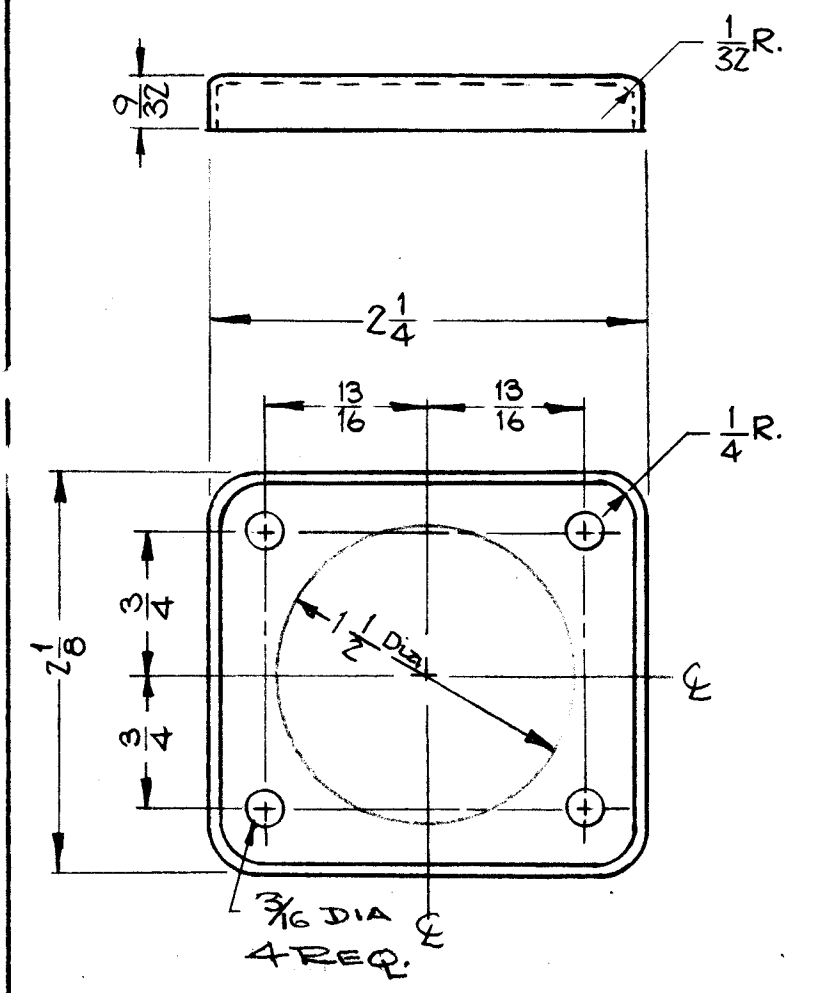
BX-188



BOTTOM
Material-.019 Cold Rolled Steel



BODY
Material-.019 Cold-Rolled Steel



TOP
Material-.019 Cold-Rolled Steel

NOTICE TO PERSONS RECEIVING THIS DRAWING

THE TECHNICAL MATERIEL CORPORATION claims proprietary right in the material disclosed hereon. This drawing is issued in confidence for engineering information only and may not be reproduced or used to manufacture anything shown hereon without permission from THE TECHNICAL MATERIEL CORPORATION to the user. This drawing is loaned for mutual assistance and is subject to recall at any time.

Property of:
THE TECHNICAL MATERIEL CORPORATION
MAMARONECK, NEW YORK

ISSUE	ITEM	CHANGED FROM	DATE	CH. NO.	DRAFTS	CHECKER	ENG. APP.
TOLERANCES			SCALE:				
DEC. DIM. ±			MAXIMUM ALLOWABLE TOLERANCES HAVE BEEN DETERMINED AND ANY DEVIATIONS WILL BE CAUSE FOR REJECTION.				
FRAC. DIM. ±			REMOVE ALL BURRS AND SHARP EDGES				
ANGULAR DIM. ±							

REQ. PER UNIT	MODEL	PROJECT NO.	ASS'Y. NO.	DATE
1	BAC-A-S-500	ZT-004	RR-101	11-10-59
1	BAC-A-S-20	ZT-004	RR-101	11-10-59

REQ. ITEM	PART NO.	DESCRIPTION	SYMBOL
	.019 th.	THE TECHNICAL MATERIEL CORP. MAMARONECK, NEW YORK BOX, CASE & COVER	
	STOCK SIZE		
	COLD-ROLLED STEEL		
MATERIAL			
		TYPE & TEMPER: S 371 Degreasing of plain steel parts S114 ZINC CHROMATE PRIMER S115 TMC GREY FINISH & SPEC. NO.	
		DRAWN: CHECKED: FINAL APPROVAL:	
		ELEC. DES. APP. MECH. DES. APP.	BX-188