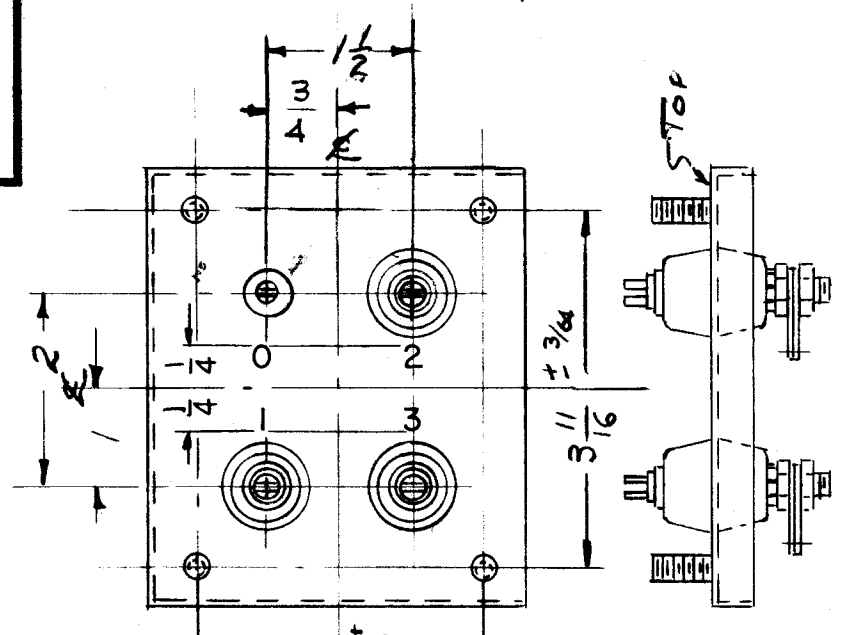


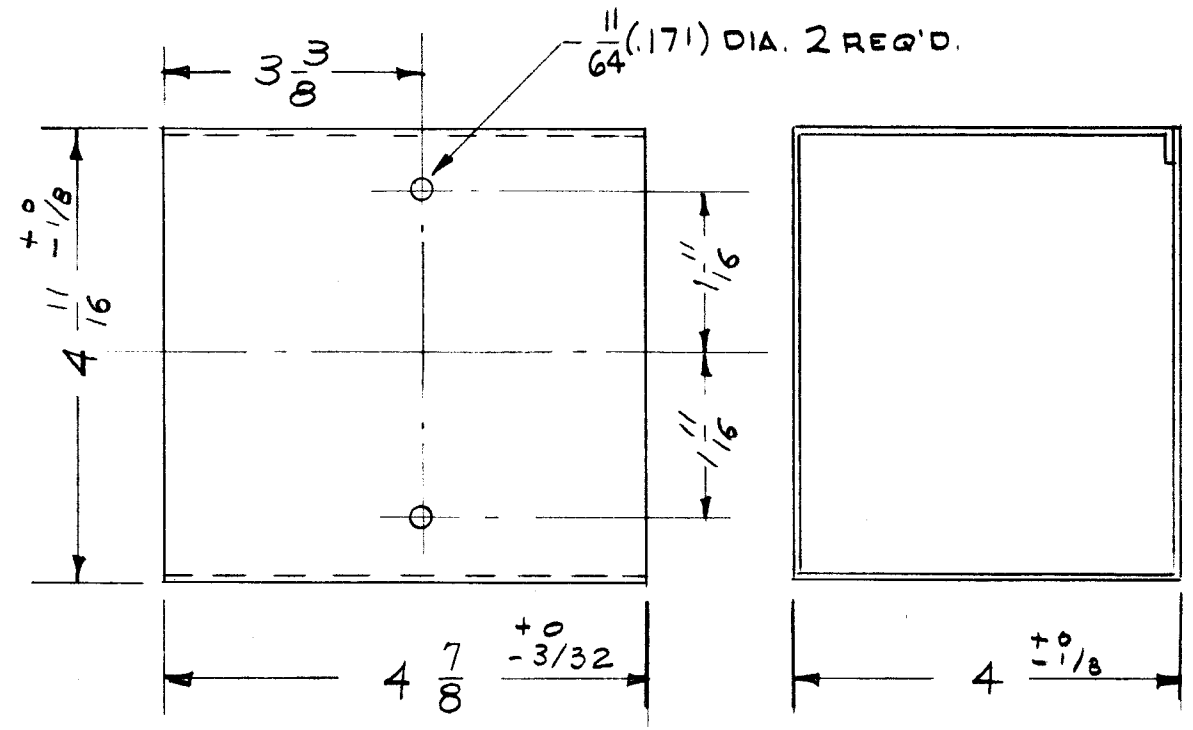
BX-181 H

METAL STAMP 1/8 GOTHIC LETTERING

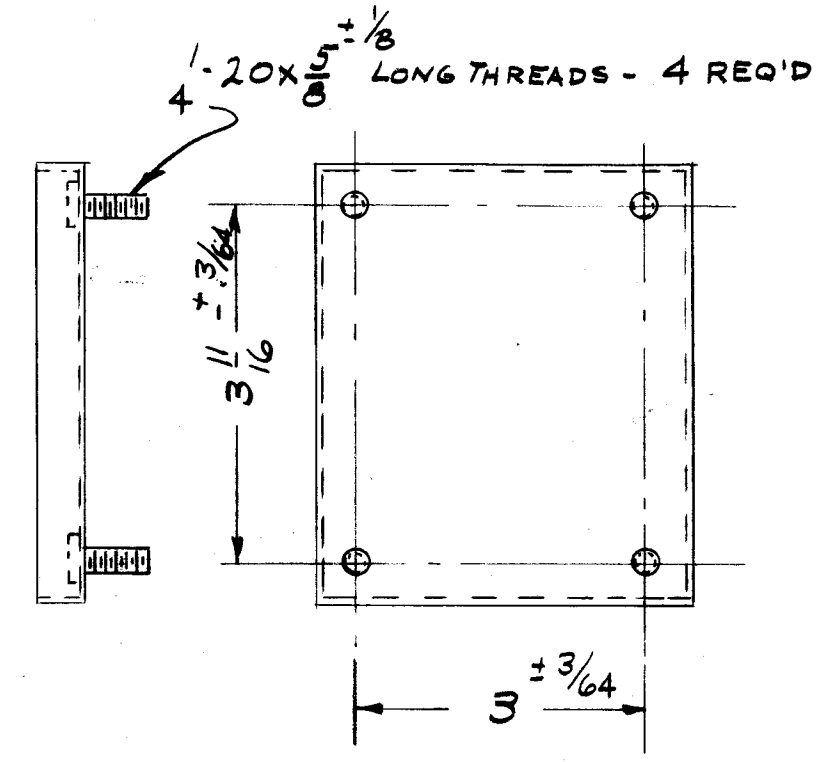


TERMINAL	HOLE DIA.
0	5/32
1	17/32
2	17/32
3	17/32

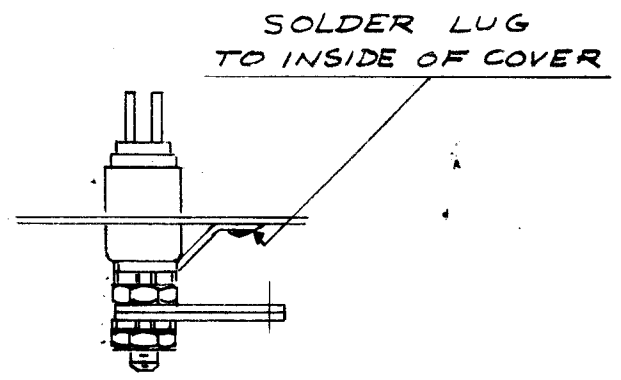
COVER, TOP



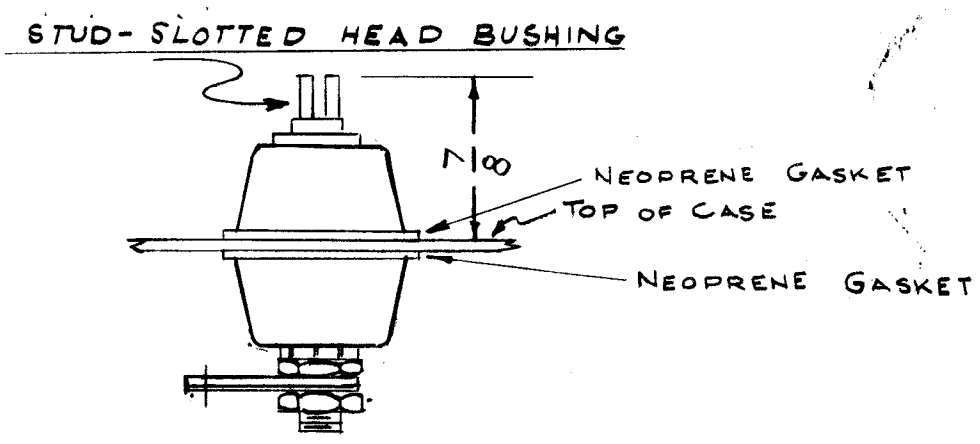
CASE



COVER, BOTTOM



TERMINAL 0 MODIFICATION



TERMINALS "1-2 & 3"

NOTICE TO PERSONS RECEIVING THIS DRAWING

THE TECHNICAL MATERIEL CORPORATION claims proprietary right in the material disclosed hereon. This drawing is issued in confidence for engineering information only and may not be reproduced or used to manufacture anything shown herein without permission from THE TECHNICAL MATERIEL CORPORATION to the user. This drawing is loaned for mutual assistance and is subject to recall at any time.

Property of:
THE TECHNICAL MATERIEL CORPORATION
MAMARONECK, NEW YORK

NOTE: TERMINALS NOT SUPPLIED BY MFR. SEE A1492-2

ISSUE	ITEM	CHANGED FROM	DATE	CH. NO.	DRAFTS	CHECKER	ENG. APP.
H		ON NOTE: SEE A1492-2 ADD.	4-7-78	21588	G.D.L.	[Signature]	K.P.
G		ADD. TERMINAL NOTE	6-7-72	20718	GE	ES	ES
F	1	ON DIM 4 7/8 TOL. WAS -3/16	1-21-66	15611	G.D.L.	[Signature]	[Signature]
E	1	4 7/8 DIM. WAS 4 15/16	1/15/64	10088	[Signature]	[Signature]	[Signature]

TOLERANCES		SCALE:
DEC. DIM. ±		MAXIMUM ALLOWABLE TOLERANCES HAVE BEEN DETERMINED AND ANY DEVIATIONS WILL BE CAUSE FOR REJECTION. REMOVE ALL BURRS AND SHARP EDGES
FRAC. DIM. ± 1/4		
ANGULAR DIM. ±		

REQ. PER UNIT	MODEL	PROJECT NO.	ASSY. NO.	DATE
1	TR-151			6-11-59
USED ON				

REQ. ITEM	PART NO.	DESCRIPTION	SYMBOL
	.032 THICK STOCK SIZE	THE TECHNICAL MATERIEL CORP. MAMARONECK, NEW YORK	
	STEEL		CASE & COVER
MATERIAL			
TYPE & TEMPER	HEAT TREAT. SPEC.	DRAWN	CHECKED
HOT-TINNED		[Signature]	[Signature]
FINISH & SPEC. NO.		ELEC. DES. APP.	MECH. DES. APP.
		[Signature]	[Signature]

BX-181 H