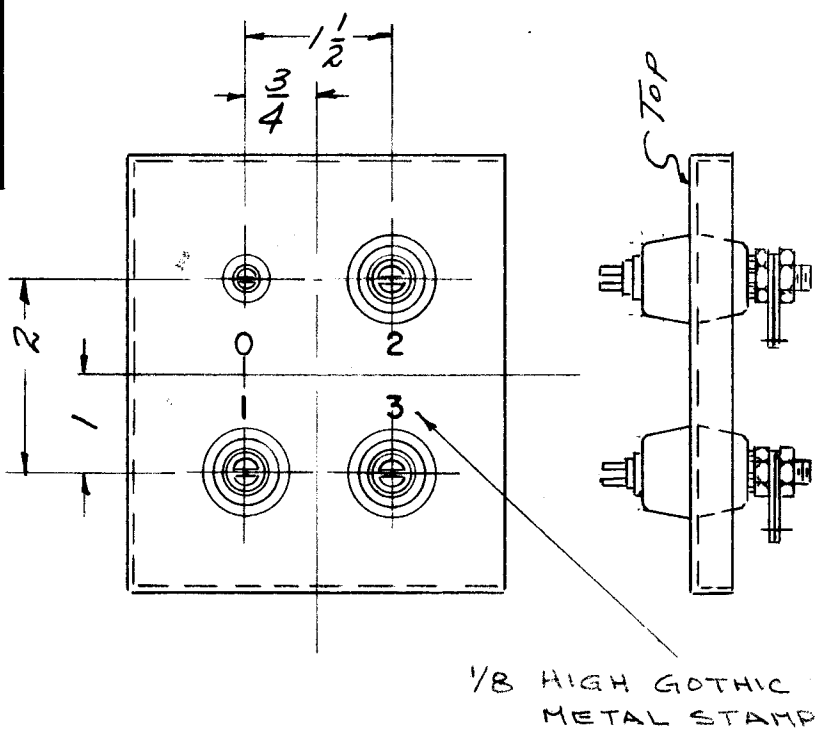
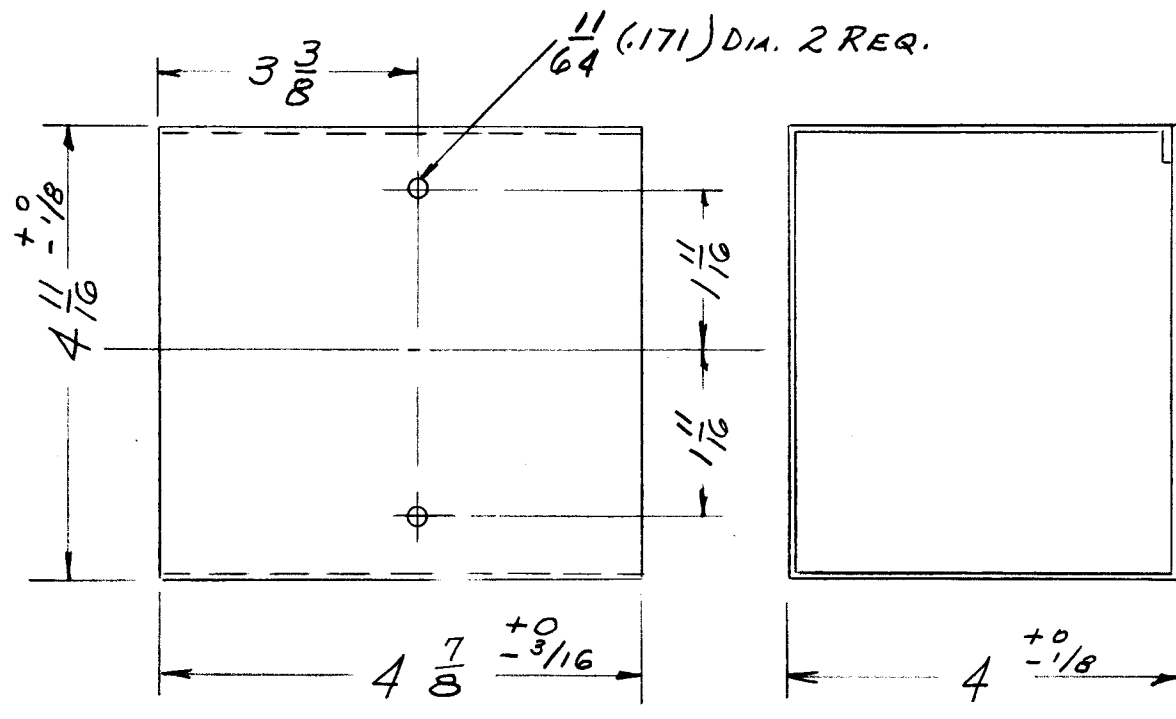


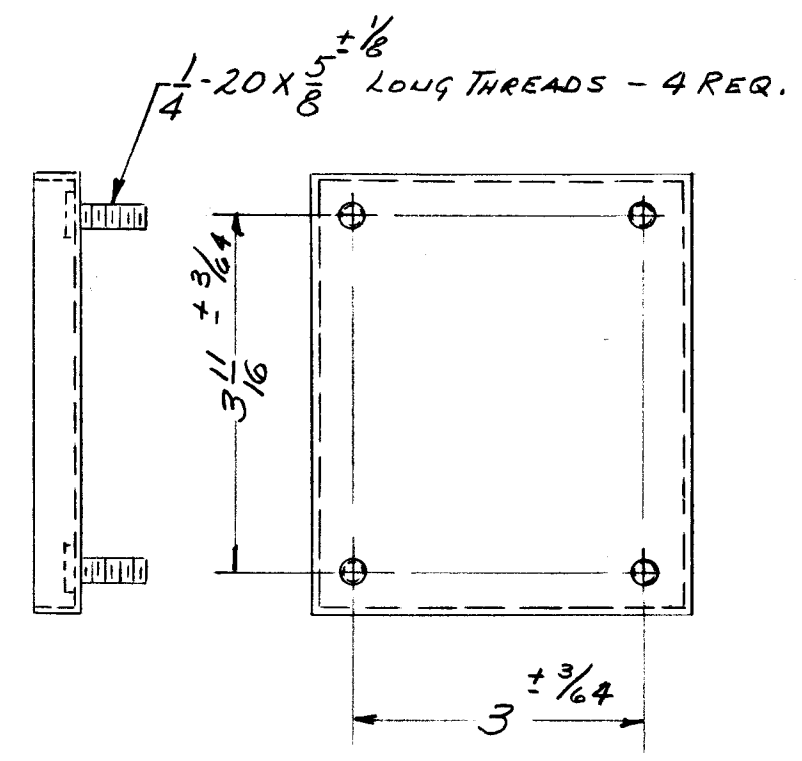
BX-166 A



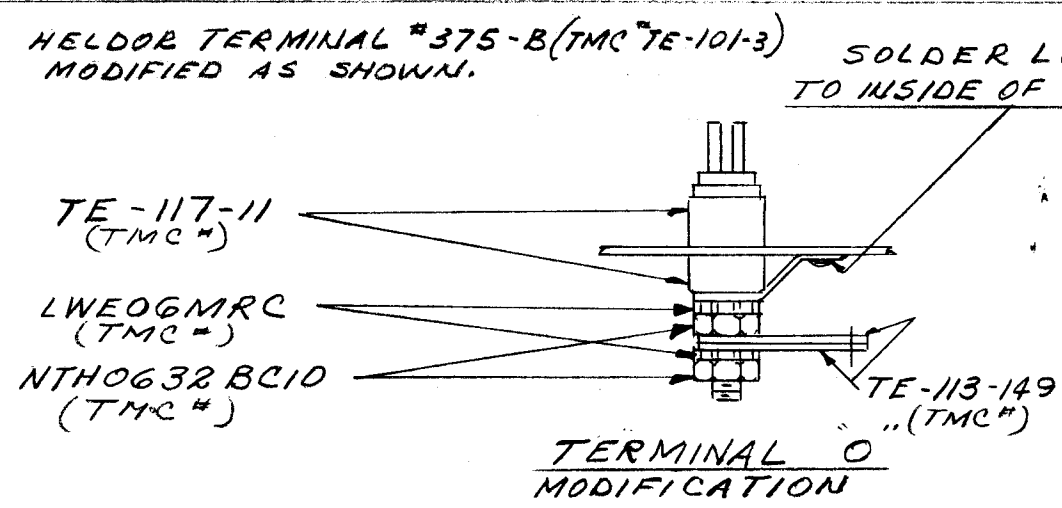
COVER, TOP



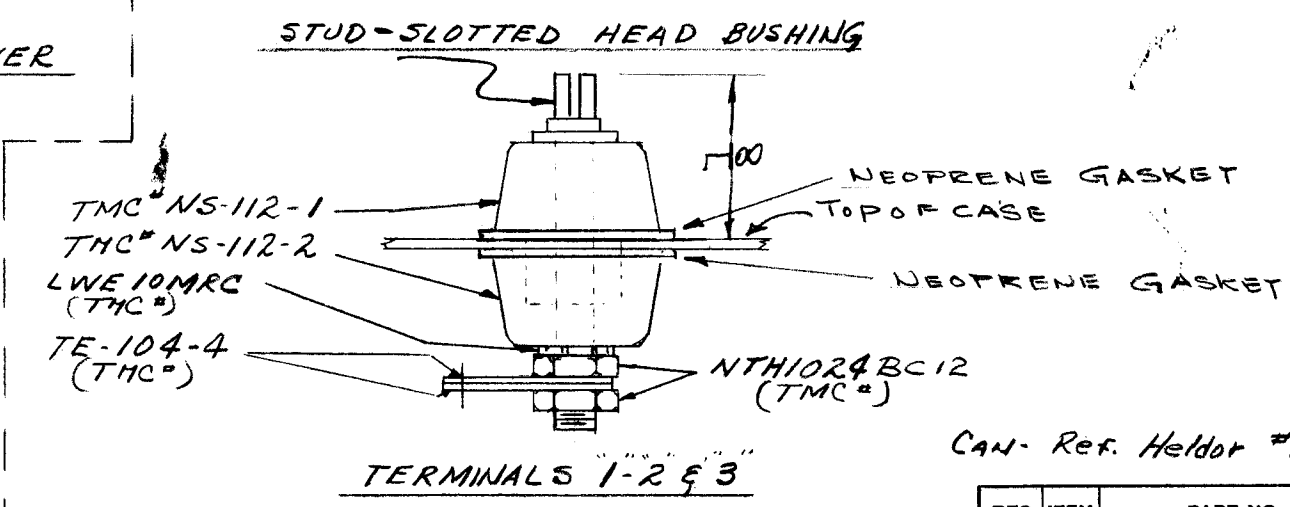
CASE



COVER, BOTTOM



TERMINAL 0 MODIFICATION



TERMINALS 1-2 & 3

NOTICE TO PERSONS RECEIVING THIS DRAWING

THE TECHNICAL MATERIEL CORPORATION claims proprietary right in the material disclosed hereon. This drawing is issued in confidence for engineering information only and may not be reproduced or used to manufacture anything shown hereon without permission from THE TECHNICAL MATERIEL CORPORATION to the user. This drawing is loaned for mutual assistance and is subject to recall at any time.

Property of:
THE TECHNICAL MATERIEL CORPORATION
MAMARONECK, NEW YORK
CAN- Ref. Heldor #112-MB (TMC #BX-166-205) MIC TYPE MB

ISSUE	ITEM	CHANGED FROM	DATE	CH. NO.	DRAFTS	CHECKER	ENG. APP.
A	1	4 7/8 DIM. WAS 4 1/16	1/15/64	10688			
TOLERANCES			SCALE:				
DEC. DIM. ±			MAXIMUM ALLOWABLE TOLERANCES HAVE BEEN DETERMINED AND ANY DEVIATIONS WILL BE CAUSE FOR REJECTION.				
FRAC. DIM. ±			REMOVE ALL BURRS AND SHARP EDGES				
ANGULAR DIM. ±							

REQ. PER UNIT	MODEL	PROJECT NO.	ASSY. NO.	DATE
1	TR-146			8-18-58
USED ON				

REQ. ITEM	PART NO.	DESCRIPTION	SYMBOL
.032 THICK		THE TECHNICAL MATERIEL CORP.	
STOCK SIZE		MAMARONECK, NEW YORK	
STEEL		CASE & COVERS	
		TR-146	
TYPE & TEMPER	HEAT TREAT. SPEC.	DRAWN	CHECKED
HOT TINNED			
FINISH & SPEC. NO.	ELEC. DES. APP.	MECH. DES. APP.	