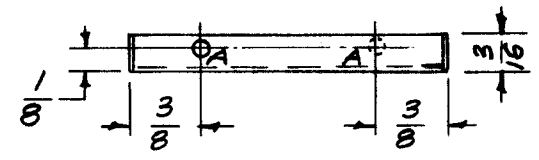
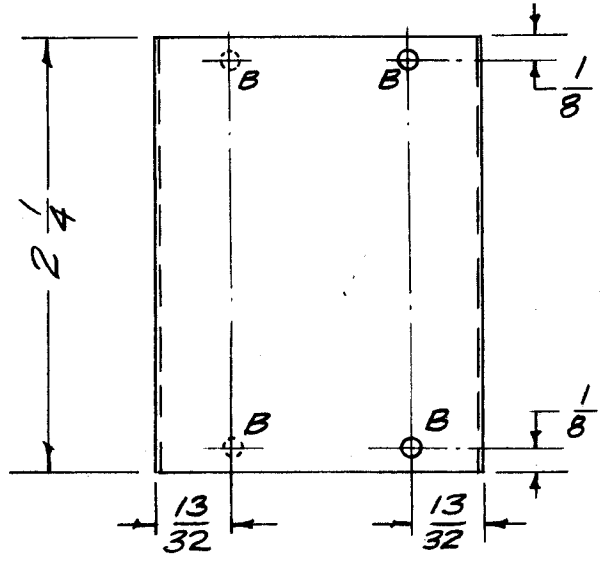
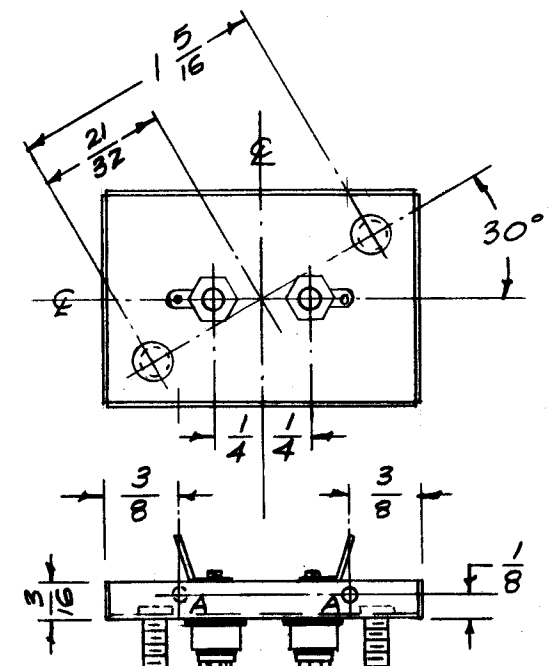
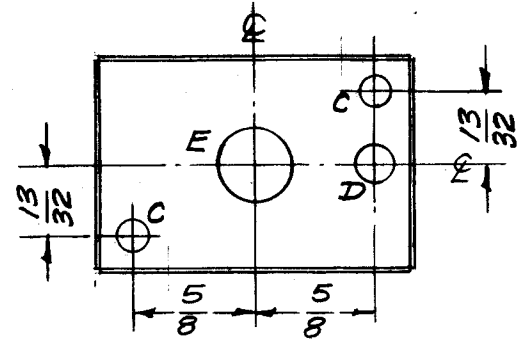
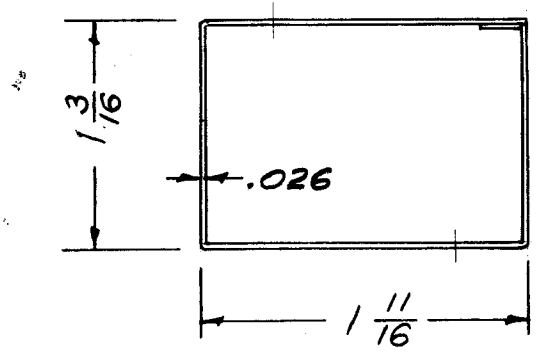


BX-153

CAN

TOP

BOTTOM



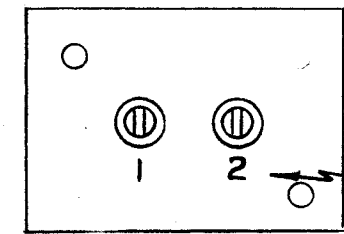
NOTICE TO PERSONS RECEIVING THIS DRAWING

THE TECHNICAL MATERIEL CORPORATION claims proprietary right in the material disclosed hereon. This drawing is issued in confidence for engineering information only and may not be reproduced or used to manufacture anything shown hereon without permission from THE TECHNICAL MATERIEL CORPORATION to the user. This drawing is loaned for mutual assistance and is subject to recall at any time.

Property of:  
THE TECHNICAL MATERIEL CORPORATION  
MAMARONECK, NEW YORK

Single End Stud - 6-32 x 3/8 - Class 2 2 Req.

TERMINAL No. - TMC-TE-101-1 2 Req.  
HELDOR - 250-D



1/8 high Metal Stamp

HOLES

- A - #49 Dr. (.073) 4 Req.
- B - 3/32 (.093) D. 4 Req.
- C - 5/32 (.156) D. 2 Req.
- D - 3/16 (.187) D. 1 Req.
- E - 3/8 (.375) D. 1 Req.

Blank Can # - 136-YY

Ref - Heldor Bushing & Term. Co.

ISSUE	ITEM	CHANGED FROM	DATE	CH. NO.	DRAFTS	CHECKER	ENG. APP.
TOLERANCES		SCALE: FULL					
DEC. DIM. ±		MAXIMUM ALLOWABLE TOLERANCES HAVE BEEN DETERMINED AND ANY DEVIATIONS WILL BE CAUSE FOR REJECTION.					
FRAC. DIM. ±		REMOVE ALL BURRS AND SHARP EDGES					
ANGULAR DIM. ±							

1	SBE-3	A-1454	11-30-59
1	SBE-1		7-31-57
REQ. PER UNIT	MODEL	PROJECT NO.	ASS'Y. NO.
			DATE
			USED ON

REQ. ITEM	PART NO.	DESCRIPTION	SYMBOL
	.025 Thk.	THE TECHNICAL MATERIEL CORP.	
	STOCK SIZE	MAMARONECK, NEW YORK	
	Steel	CASE & COVERS	
	MATERIAL		
		16 7/31/57	
		DR	
		DR	
			BX-153