

IF IT IS FOUND DESIRABLE TO CHANGE ANY TOLERANCE OR OTHER DETAIL SPECIFIED ON THIS DRAWING NOTIFY THE PURCHASER PROMPTLY.

MAXIMUM ALLOWABLE TOLERANCES HAVE BEEN DETERMINED AND DEVIATIONS WILL BE CAUSE FOR REJECTION. REMOVE ALL BURRS AND SHARP EDGES

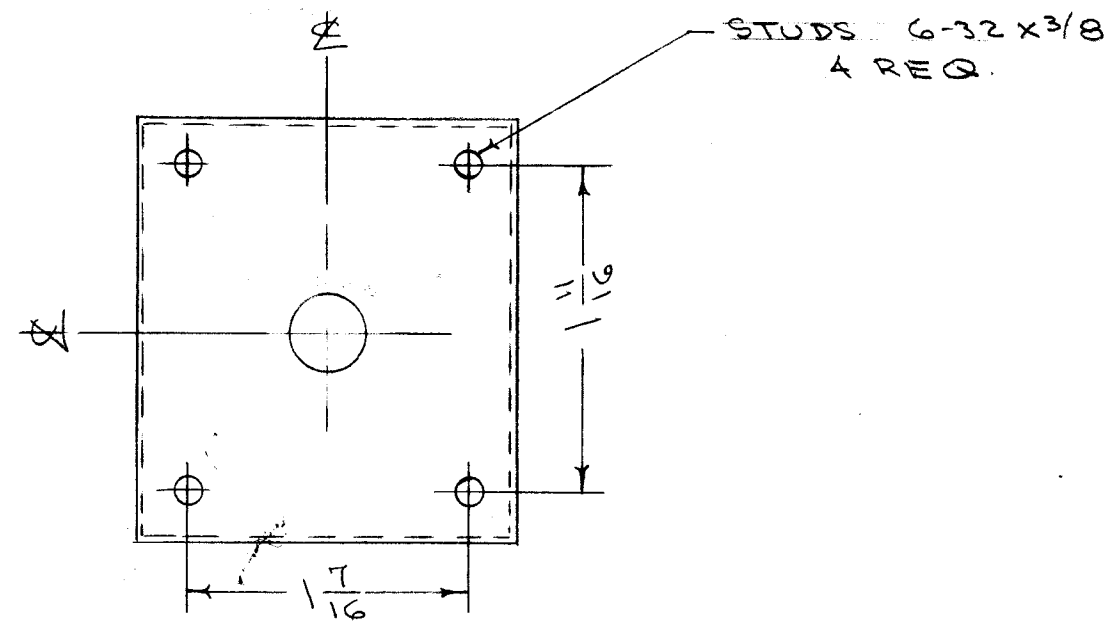
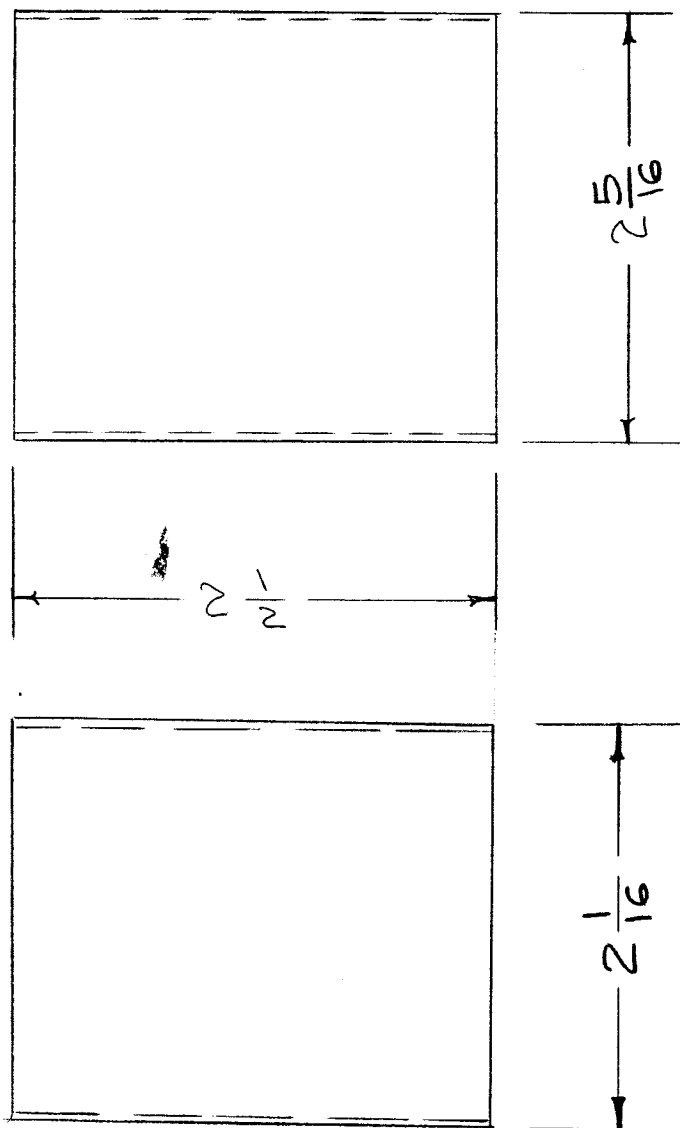
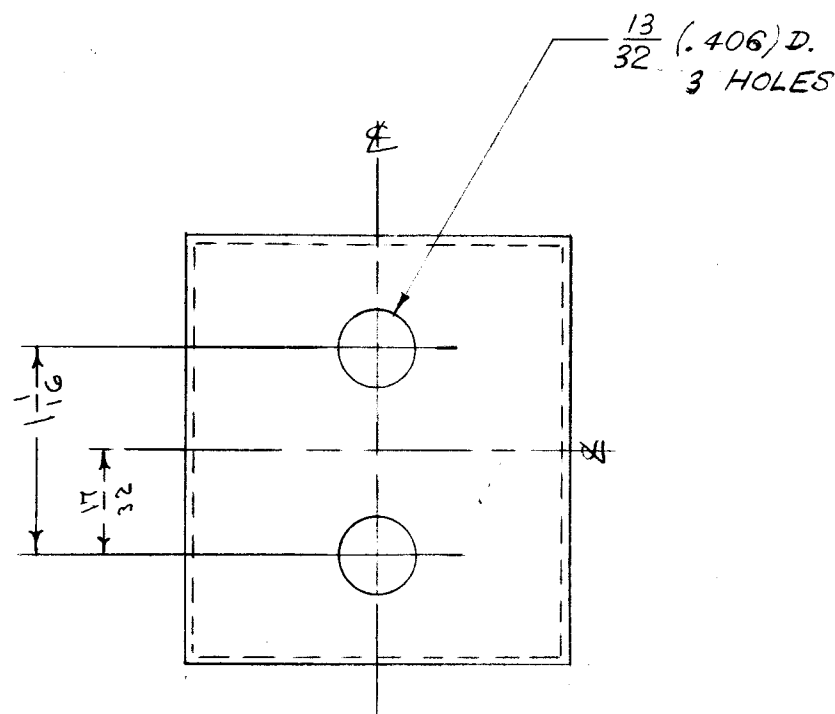
BX-141 A

NOTICE TO PERSONS RECEIVING THIS DRAWING

THE TECHNICAL MATERIEL CORPORATION claims proprietary right in the material disclosed hereon. This drawing is issued in confidence for engineering information only and may not be reproduced or used to manufacture anything shown hereon without permission from THE TECHNICAL MATERIEL CORPORATION to the user. This drawing is loaned for mutual assistance and is subject to recall at any time.

Property of:

THE TECHNICAL MATERIEL CORPORATION
MAMARONECK, NEW YORK



REF: TMC BX-100-8S (HELDOR - 100 FB)

A	1	D/A DIM CHGD. FROM 2-1/4 TO 2-5/16 x 2-1/16 ACC TO MIL-T-27A	1/6/58	1	16	AWD	AWD
ISSUE	ITEM	CHANGED FROM	DATE	CN. NO.	DRAFTS	CHECKER	ENG. APP.
TOLERANCES		SCALE:					
ALL OTHERS	DEC. DIM. ± FRAC. DIM. ± ANGULAR DIM. ±	DRILL, PUNCH, COMMERCIAL STOCK SIZES AND MANUFACTURERS TOLERANCES ARE NOT INCLUDED.					

1	TR-123		A-1071	8/9/55
REQ. PER UNIT	MODEL	PROJECT NO.	ASS'Y. NO.	DATE
USED ON				

REQ.	ITEM	PART NO.	DESCRIPTION	SYMBOL
		BX-100-8S	THE TECHNICAL MATERIEL CORP. MAMARONECK, NEW YORK	
		STEEL	CASE, TRANSFORMER	
		MATERIAL	WEIGHT PER PC.	
			TR-123	
			CDD. 8/9/55	
			AWD	JPB
			CHECKED	FINAL APPROVAL
			HOTTINNED	
			FINISH & SPEC. NO.	

BX-141 A