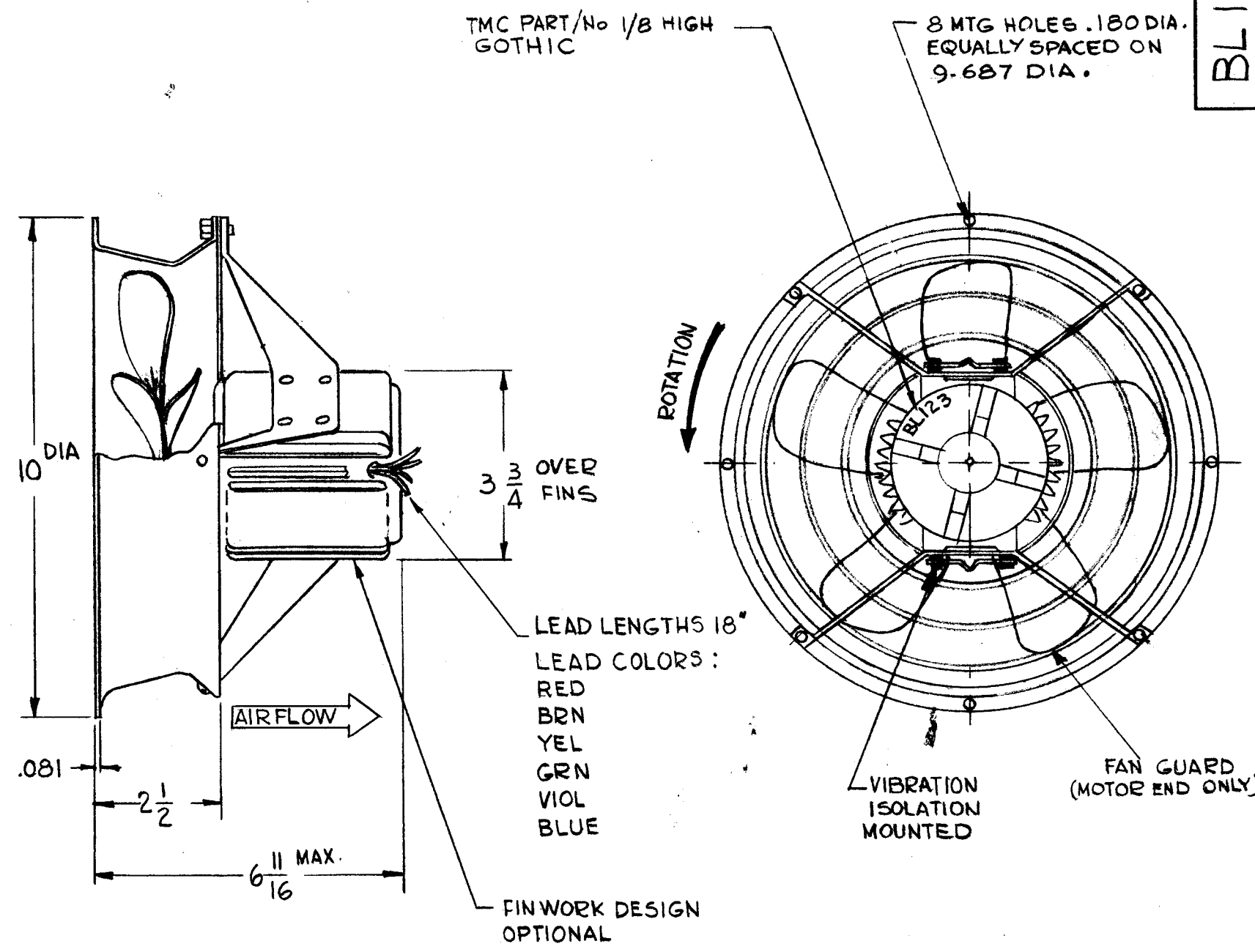


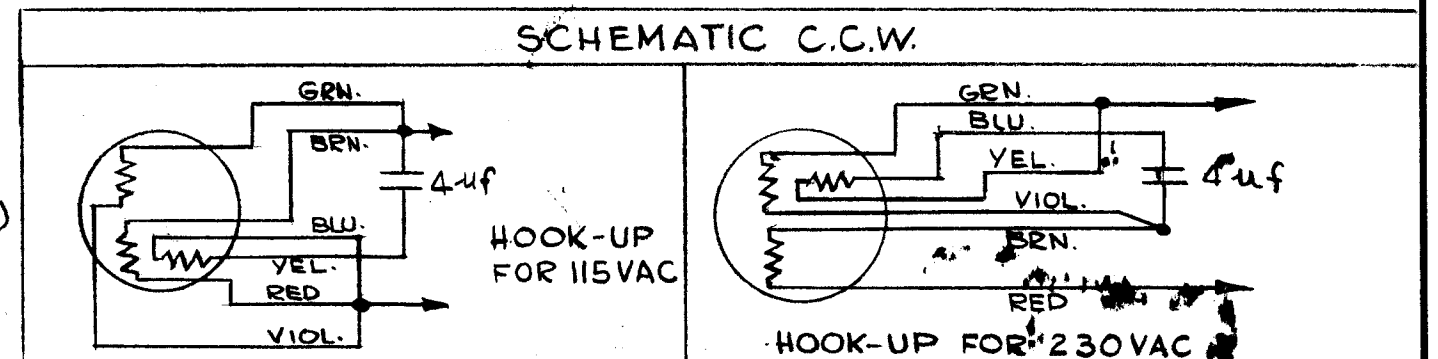
A
BL123

REVISIONS					
SYM	DESCRIPTION	DATE	E.M.N. NO.	DRAFT	CHKD APPD
X	EXPER. RELEASE	12-28-64		G.D.L.	
Ø	ORIGINAL RELEASE FOR PRODUCTION	1-13-65	Ø	RL	
A	DEL. MODIFIED BL105 WITH REVERSE BLADE, PICT CLAR	11-9-67	18604	N.Y.	E.F.M.



SPECIFICATIONS

VOLTAGE: 115/230 (SEE HOOK-UP)
 CAPACITANCE: 4 µf
 NOMINAL RPM: 3400
 INSULATION: CLASS B
 FULL LOAD WATT: 100W
 LINE AMP: 1.0/0.5
 MAXIMUM CFM: 740
 MAX. STATIC PRESSURE AT NO DELIVERY: 2.0
 TOTAL NET LBS. : 6.5
 ROTATION: CCW(VIEWED FROM MOTOR END)
 PHASE: 1
 CYCLES: 50-60
 MOTOR SHOCK ISOLATED FROM VENTURI



STANDARD DRAWING

REQ'D.	ITEM	PART NUMBER	DESCRIPTION	SYMBOL
BUDETTI LIST OF MATERIAL				
MATERIAL		THE TECHNICAL MATERIEL CORP. MAMARONECK, NEW YORK		
FINISH		TITLE FAN, AXIAL		
UNLESS OTHERWISE SPECIFIED DIMENSIONS ARE IN INCHES AND INCLUDE CHEMICALLY APPLIED OR PLATED FINISHES		DRAWN G.D.L.	DATE 12-28-64	FINAL APPROVAL DATE
DECIMALS .X ± .05 .XX ± .01 .XXX ± .005		CHECKED @	DATE 1-5-64	DATE
TOLERANCES		ELECT. DES. DB	DATE	DATE
FRACTIONS ± 1/64 ANGLES ± 0° 30'		MECH. DES. J	DATE	DATE
SHEET				REV. LTR.

MCTR - 350	
Q'TY./UNIT	MODEL USED ON
SCALE DO NOT SCALE	ASS'Y. NO. S401-116 (BC2922F-10-3)
CODE C	

THE CONTENTS OF THIS DRAWING ARE THE EXCLUSIVE PROPERTY OF THE TECHNICAL MATERIEL CORP. ITS UNAUTHORIZED USE OR REPRODUCTION IN WHOLE OR IN PART IS STRICTLY FORBIDDEN.

NOTES