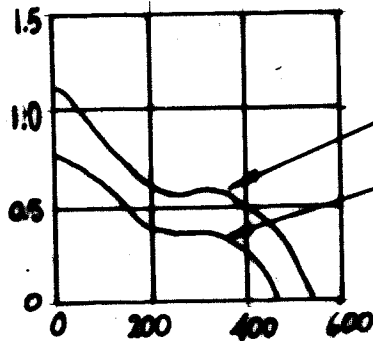
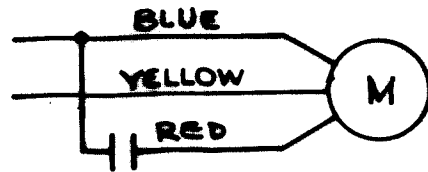


STATIC PRESSURE IN H₂O



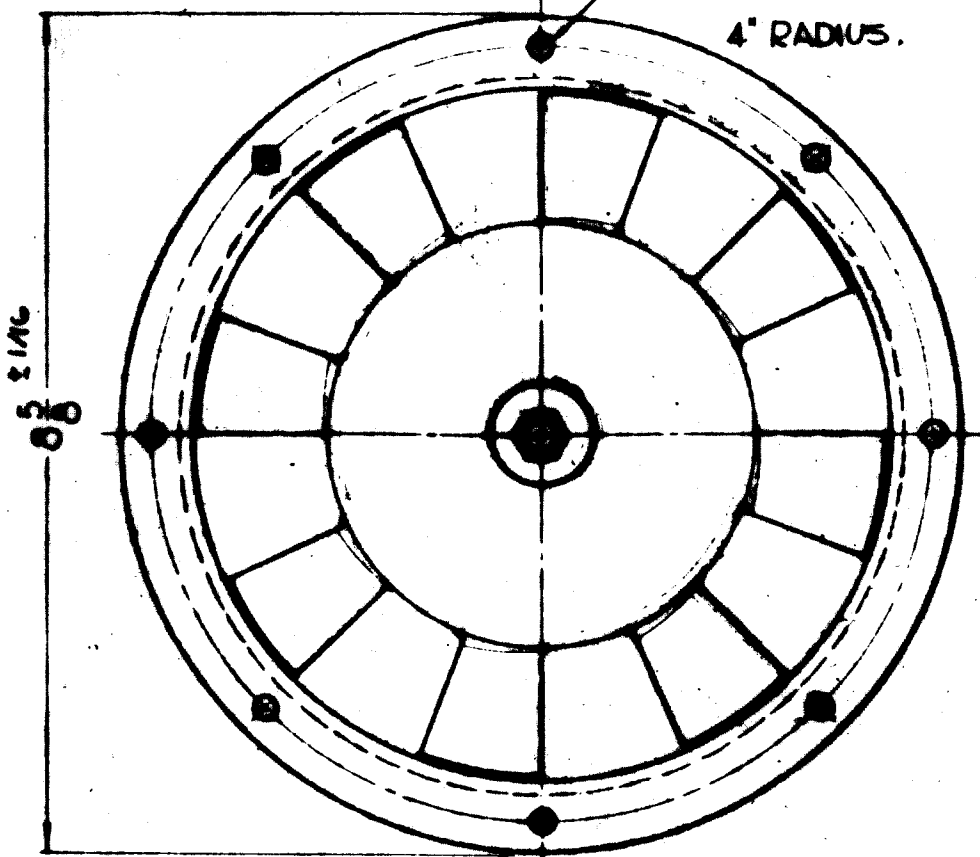
AIR DELIVERY CURVES



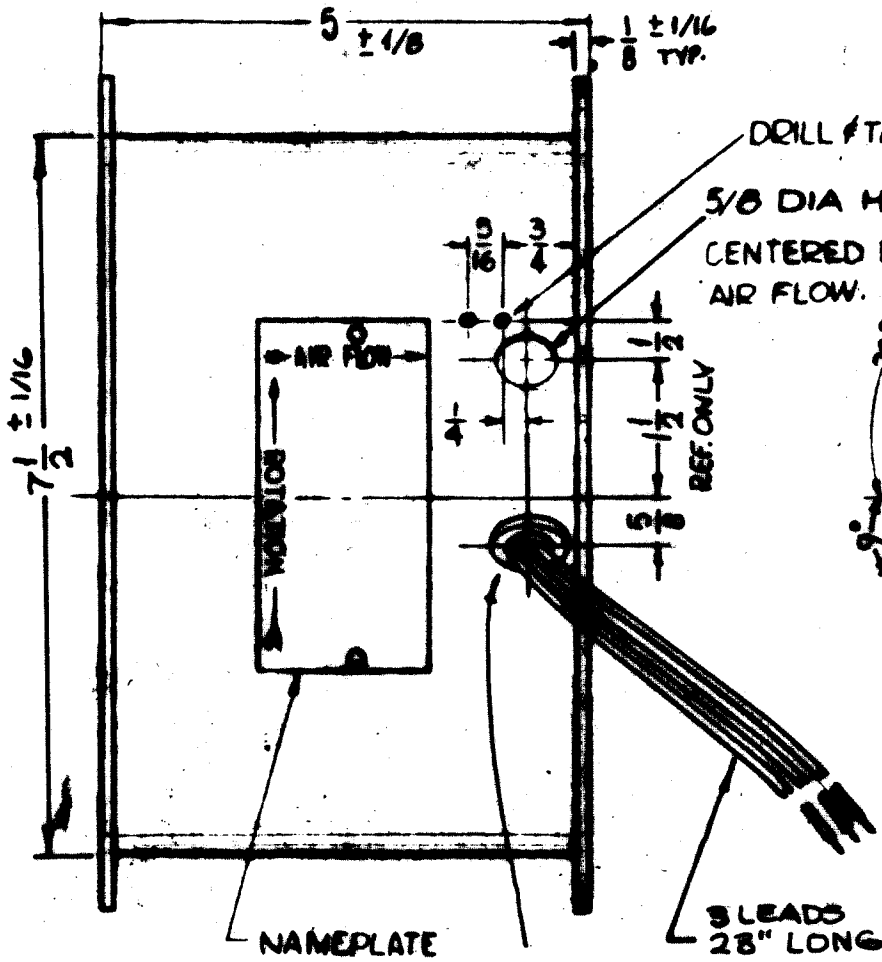
BL-116

REVISIONS					
REV.	DESCRIPTION	DATE	BY	CHKD.	APP.
1	GRAPH ADDED, FIGURAL CLARIFIED	2-8-63	E.	SEC	RL JB
2	ORIGINAL RELEASE FOR PRODUCTION	2-14-65	P.	P.R.	RL JB

(8) 7/32 DIA. HOLES EQUALLY SPACED 45° APART ON A 4" RADIUS.

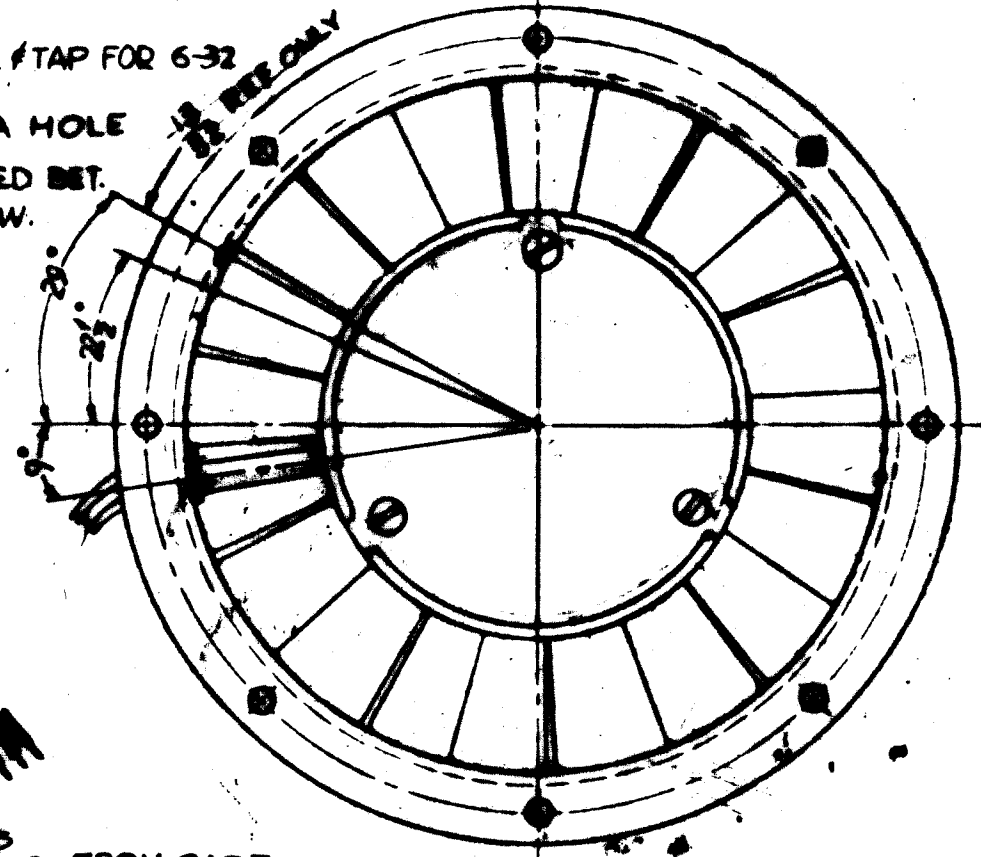


OPPOSITE SIDE SAME



NAMEPLATE
EY102-5

DRILL & TAP FOR 6-32
5/8 DIA HOLE CENTERED BET. AIR FLOW.



INSULATION CLASS-B

SPECIFICATIONS

MOTOR - AC
VOLTS - 115 ± 10%
PH - 1
CPS - 50/60
CAPACITOR ~ 4.0 MFD 220VAC
SPEED ~ 2800/3300
CURRENT ~ 1.7/1.2A

NOTES

7	TER-1002	A-2702
SCALE 1/2:1	C	S401-116 8C3810V-1

THE CONTENTS OF THIS DRAWING ARE THE EXCLUSIVE PROPERTY OF THE TECHNICAL MATERIAL CORP. ITS UNAUTHORIZED USE OR REPRODUCTION IN WHOLE OR IN PART IS EXPRESSLY PROHIBITED.

QTY.	ITEM	PART NUMBER	DESCRIPTION	QTY.
F. BUDETTI LIST OF MATERIAL				
THE TECHNICAL MATERIAL CORP. BAMARONCK, NEW YORK			FAN, VANE AXIAL	
UNLESS OTHERWISE SPECIFIED DIMENSIONS ARE IN INCHES AND INCLUDE CHAMFERED APPLIED OR PLATED FINISHES		TOLERANCES		
FRACTIONS		DECIMALS		
1/2 ± .01		± 1/64		
3/4 ± .01		± .005		
1 ± .01		± .005		
2 ± .01		± .005		
3 ± .01		± .005		
4 ± .01		± .005		
5 ± .01		± .005		
6 ± .01		± .005		
7 ± .01		± .005		
8 ± .01		± .005		
9 ± .01		± .005		
10 ± .01		± .005		
11 ± .01		± .005		
12 ± .01		± .005		
13 ± .01		± .005		
14 ± .01		± .005		
15 ± .01		± .005		
16 ± .01		± .005		
17 ± .01		± .005		
18 ± .01		± .005		
19 ± .01		± .005		
20 ± .01		± .005		
21 ± .01		± .005		
22 ± .01		± .005		
23 ± .01		± .005		
24 ± .01		± .005		
25 ± .01		± .005		
26 ± .01		± .005		
27 ± .01		± .005		
28 ± .01		± .005		
29 ± .01		± .005		
30 ± .01		± .005		
31 ± .01		± .005		
32 ± .01		± .005		
33 ± .01		± .005		
34 ± .01		± .005		
35 ± .01		± .005		
36 ± .01		± .005		
37 ± .01		± .005		
38 ± .01		± .005		
39 ± .01		± .005		
40 ± .01		± .005		
41 ± .01		± .005		
42 ± .01		± .005		
43 ± .01		± .005		
44 ± .01		± .005		
45 ± .01		± .005		
46 ± .01		± .005		
47 ± .01		± .005		
48 ± .01		± .005		
49 ± .01		± .005		
50 ± .01		± .005		
51 ± .01		± .005		
52 ± .01		± .005		
53 ± .01		± .005		
54 ± .01		± .005		
55 ± .01		± .005		
56 ± .01		± .005		
57 ± .01		± .005		
58 ± .01		± .005		
59 ± .01		± .005		
60 ± .01		± .005		
61 ± .01		± .005		
62 ± .01		± .005		
63 ± .01		± .005		
64 ± .01		± .005		
65 ± .01		± .005		
66 ± .01		± .005		
67 ± .01		± .005		
68 ± .01		± .005		
69 ± .01		± .005		
70 ± .01		± .005		
71 ± .01		± .005		
72 ± .01		± .005		
73 ± .01		± .005		
74 ± .01		± .005		
75 ± .01		± .005		
76 ± .01		± .005		
77 ± .01		± .005		
78 ± .01		± .005		
79 ± .01		± .005		
80 ± .01		± .005		
81 ± .01		± .005		
82 ± .01		± .005		
83 ± .01		± .005		
84 ± .01		± .005		
85 ± .01		± .005		
86 ± .01		± .005		
87 ± .01		± .005		
88 ± .01		± .005		
89 ± .01		± .005		
90 ± .01		± .005		
91 ± .01		± .005		
92 ± .01		± .005		
93 ± .01		± .005		
94 ± .01		± .005		
95 ± .01		± .005		
96 ± .01		± .005		
97 ± .01		± .005		
98 ± .01		± .005		
99 ± .01		± .005		
100 ± .01		± .005		