

BL-104 D

SPECIFICATIONS ~

MOTOR SERIES ~ 255 J

VOLTAGE ~ 220

CAPACITANCE ~

NOMINAL RPM ~ 3250

INSULATION ~ CLASS F

FULL LOAD WATT ~ 2320

LINE AMP ~ 6.1

MAX. CFM ~ 1550

MAX. STATIC PRESSURE AT NO DELIVERY ~ 6.5

TOTAL NET LBS. ~ 49

ROTATION ~ CCW

PHASE ~ 3

CYCLES ~ 50 - 60

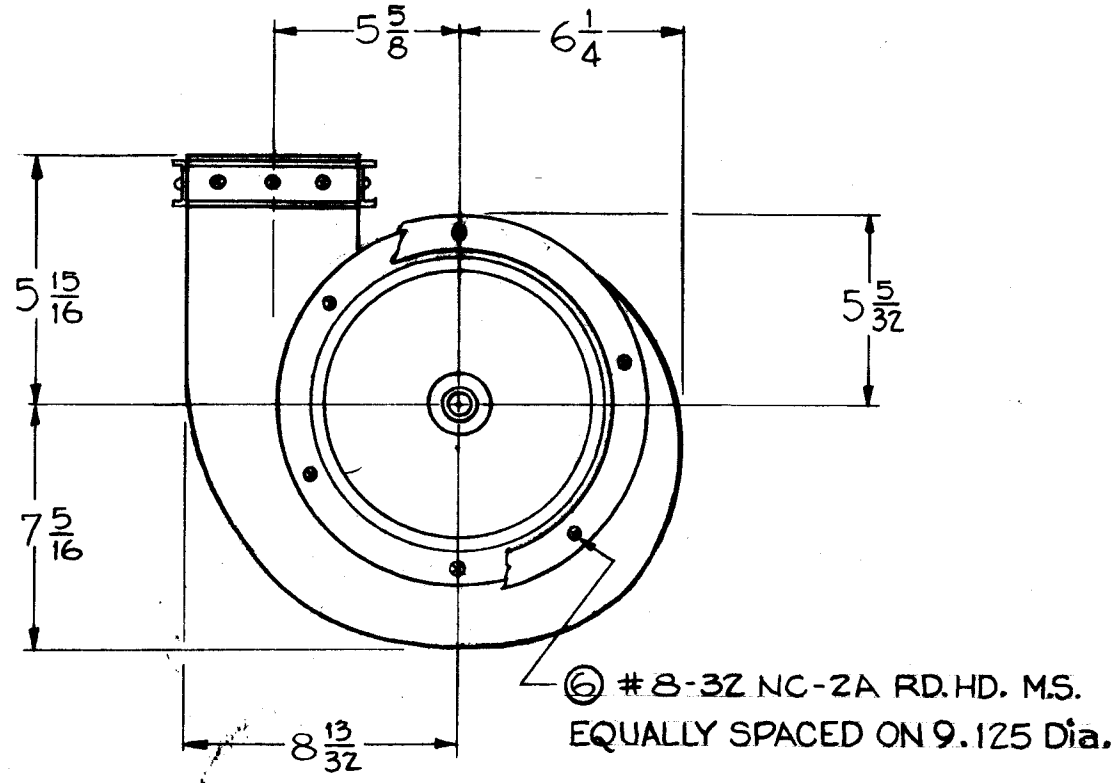
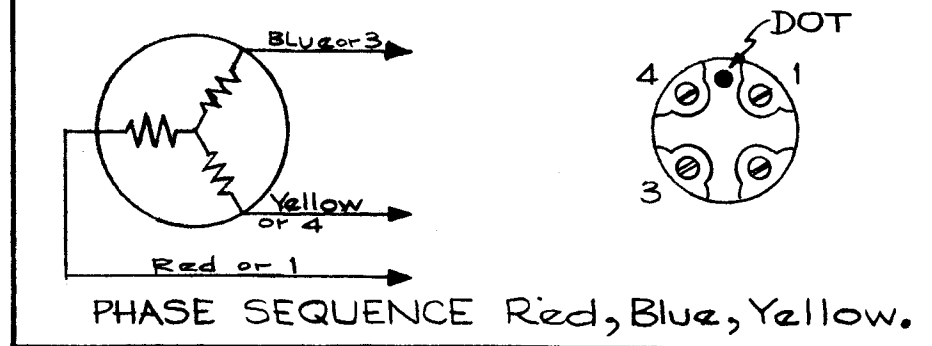
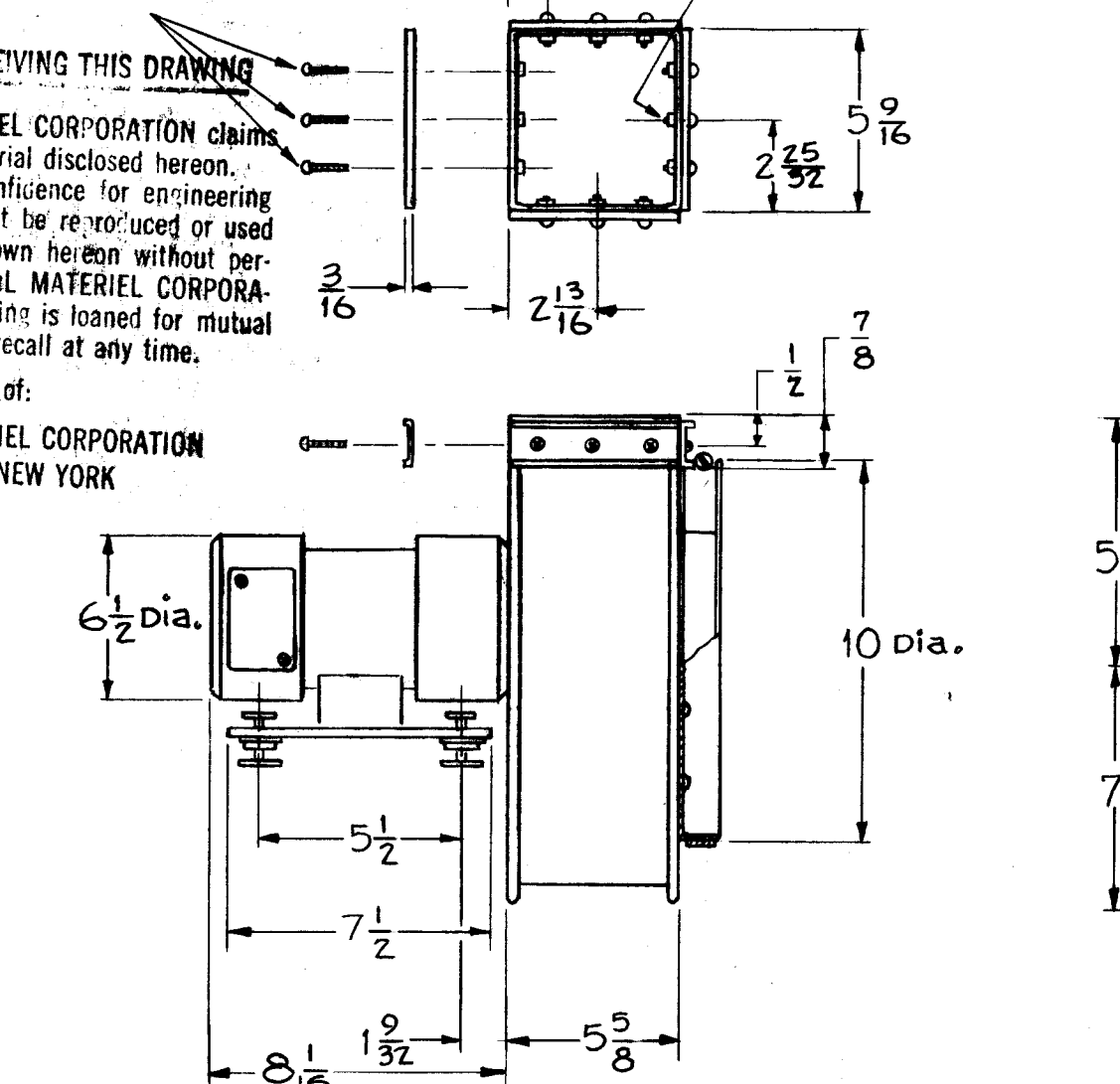
BLAST ~ 12 O'CLOCK

NOTICE TO PERSONS RECEIVING THIS DRAWING

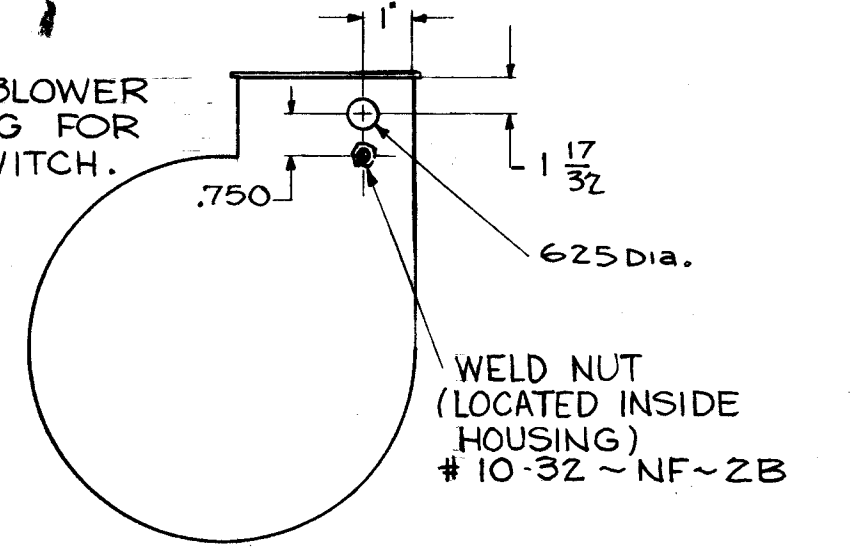
THE TECHNICAL MATERIEL CORPORATION claims proprietary right in the material disclosed hereon. This drawing is issued in confidence for engineering information only and may not be reproduced or used to manufacture anything shown hereon without permission from THE TECHNICAL MATERIEL CORPORATION to the user. This drawing is loaned for mutual assistance and is subject to recall at any time.

Property of:
THE TECHNICAL MATERIEL CORPORATION
MAMARONECK, NEW YORK

8-32 RD HD 1/2" LG.
3 EACH SIDE.



BACK PLATE BLOWER
70Z DRILLING FOR
AIRFLOW SWITCH.



NOTE ~ BLOWER HOUSING DRILLED FOR AIR SWITCH.
NOTE ~ THIS BLOWER IS DIRECTLY REPLACED (AS A UNIT) BY BL-III, However, Motor, Rotor, etc. Are Not Interchangeable.

D	1	DIRECTLY REPLACED NOTE ADDED	9/16/61	4971	JCB	JCB	JCB
C	1	added Hook-up Schematic	11-20-59	1577	JCB	JCB	JCB
B	1	Note + Drilling Detail added	8/18/59		J.C.B.	J.C.B.	J.C.B.
A	1	MOTOR SERIES FROM 225 TO 255 J	5-21-59		J.C.B.	J.C.B.	J.C.B.
ISSUE	ITEM	CHANGED FROM	DATE	CH. NO.	DRAFTS	CHECKER	ENG. APP.

TOLERANCES		SCALE: 5-40-19 (AS702ARDRF)
DEC. DIM. ± .010	MAXIMUM ALLOWABLE TOLERANCES HAVE BEEN DETERMINED AND ANY DEVIATIONS WILL BE CAUSE FOR REJECTION.	
FRAC. DIM. ± 1/32	REMOVE ALL BURRS AND SHARP EDGES	
ANGULAR DIM. ±		

1	GPT-10K			4 ~ 24 ~ 59
REQ. PER UNIT	MODEL	PROJECT NO.	ASS'Y. NO.	DATE
	USED ON			

REQ. ITEM	PART NO.	DESCRIPTION	SYMBOL
THE TECHNICAL MATERIEL CORP. MAMARONECK, NEW YORK			
STOCK SIZE			
BLOWER, CENTRIFICAL (CCW)			
MATERIAL			
TYPE & TEMPER		HEAT TREAT. SPEC.	
DRAWN		CHECKED	FINAL APPROVAL
FINISH & SPEC. NO.		ELEC. DES. APP.	MECH. DES. APP.

BL-104 D