

NOTICE TO PERSONS RECEIVING THIS DRAWING
 THE TECHNICAL MATERIEL CORPORATION claims proprietary right in the material disclosed hereon. This drawing is issued in confidence for engineering information only and may not be reproduced or used to manufacture anything shown hereon without permission from THE TECHNICAL MATERIEL CORPORATION to the user. This drawing is loaned for mutual assistance and is subject to recall at any time.

SCALE A
 CODE IDENT. NO. 82679
 DWG NO. BI 120
 SHEET OF
 ISSUE A

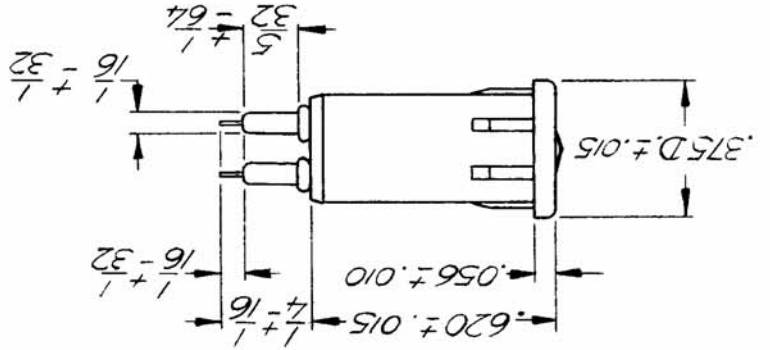
FINISH
 MATERIAL
 DRAWN DATE 4/1/69
 CHECKED DATE 4-1-69
 ELECT. DES. DATE 4/2/69
 MECH. DES. DATE
 FINAL APPROVAL DATE
 THE TECHNICAL MATERIEL CORP.
 MAMARONECK, NEW YORK

UNLESS OTHERWISE SPECIFIED DIMENSIONS ARE IN INCHES AND INCLUDE CHEMICALLY APPLIED OR PLATED FINISHES	DECIMALS	FRACTIONS
.XX ± .01	1/64	
.X ± .05	1/32	
.XXX ± .005		0.30

LIST OF MATERIAL

SYM.	DESCRIPTION	PART NUMBER	REQ'D ITEM

BI 120 - 1 - 02
 TMC DWG. NO.
 OPERATING VOLTAGE
 LENS COLOR



LENS COLOR TABLE

01 CLEAR	04 AMBER
02 RED	05 BLUE
03 GREEN	06 OPAL

TMC P/N	MFR P/N	HOUSING COLOR	OPERATING VOLTAGE	LENS COLOR
BI 120-1	147-2203-100	BLACK	4-6VOLTS	SEE
-2	147-2203-300	BLACK	10-14VOLTS	COLOR
-3	147-2203-400	BLACK	22-28VOLTS	TABLE

QTY	MODEL USED ON	ASSY. NO.	LTR	DESCRIPTION	DATE	E.M.N.NO	DRAFT	CHKD	APPD
			X	EXP. RELEASE	4/1/69	X	KH	Pise	
			Ø	ORIG. RELEASE FOR PROD.	4/2/69		RG		
A ADD MFRS REF CODE					8-11-69	CC	GE	ES	

REVISIONS

APPLICATION