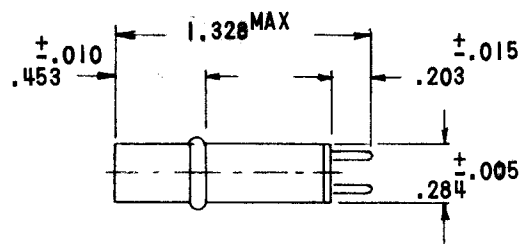
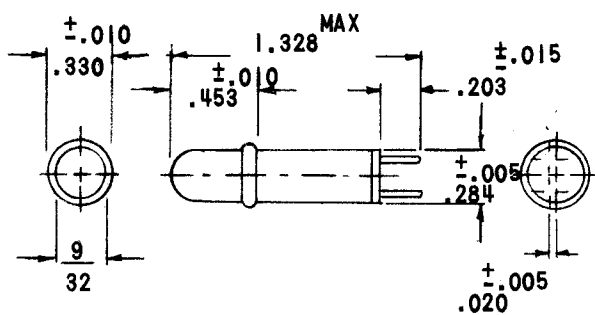


S = SHORT CYLINDRICAL LENS SHAPE



L = LONG CYLINDRICAL LENS SHAPE



P = STOVEPIPE LENS SHAPE

LENS COLOR	
TMC CODE	COLOR
1	RED
3	YELLOW (AMBER)
5	WHITE
7	CLEAR (COLORLESS)

TMC CODE	LENS SHAPE	H = HIGH BRIGHTNESS *MFR CATALOG NUMBER	S = STANDARD BRIGHTNESS *MFR CATALOG NUMBER
P	STOVE PIPE	507-3826-0931-600	507-3835-0931-600
S	SHORT CYLINDRICAL	507-3838-1431-600	507-3837-1431-600
L	LONG CYLINDRICAL	507-3836-1531-600	507-3835-1531-600

\*LENS COLOR:  
THE DIGIT BEFORE THE LAST DASH IN THE MFR CAT. NO.  
INDICATES LENS COLOR (SEE LENS COLOR CHART)

REVISIONS						
ZONE	LTR	DESCRIPTION	DATE	E.M.N.NO	DRAFT	CHKD
	X	EXPERIMENTAL RELEASE	10/22/68		C.V.	J.D.
	Ø	ORIG. RELEASE FOR PROD	10-23-68	Ø	R.G.	J.D.

SPECIFICATIONS

VOLTAGE RANGE:

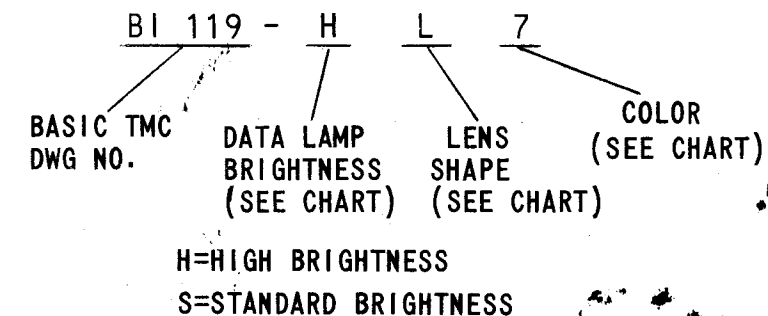
HIGH BRIGHTNESS: 110-125 VAC ONLY  
STANDARD BRIGHTNESS: 105-125V AC-DC

MATERIAL AND FINISHES:

HOUSING: ALUMINUM, STANDARD FINISH CLEAR ANODIZED  
CONNECTIONS: STAINLESS STEEL PINS MTD. IN NYLON INSULATED HEADER. OFFSET TO PROVIDE POLARIZATION.

LENS: HEAT RESISTANT, HIGH STRENGTH PLASTIC. PERMANENTLY ATTACHED

TMC P/N SHALL APPEAR IN THE FOLLOWING FORMAT:



NOTE:  
FOR USE, WITH SOCKET: TMC #TS193  
WITH RETAINER: TMC #CU167

QTY / UNIT	MODEL USED ON	ASS'Y NO.
	RTIH-3	
APPLICATION		
	CODE	

NOTICE TO PERSONS RECEIVING THIS DRAWING  
THE TECHNICAL MATERIEL CORPORATION claims proprietary right in the material disclosed hereon. This drawing is issued in confidence for engineering information only and may not be reproduced or used to manufacture anything shown hereon without permission from THE TECHNICAL MATERIEL CORPORATION to the user. This drawing is loaned for mutual assistance and is subject to recall at any time.

UNLESS OTHERWISE SPECIFIED DIMENSIONS ARE IN INCHES AND INCLUDE CHEMICALLY APPLIED OR PLATED FINISHES	
DECIMALS	FRACTIONS
.X ± .05	1/64
.XX ± .01	TOLS. ANGLES
.XXX ± .005	0° -30'
MATERIAL	
FINISH	

REQ'D	ITEM	PART NUMBER	DESCRIPTION	SYM.
LIST OF MATERIAL				
THE TECHNICAL MATERIEL CORP. MAMARONECK, NEW YORK				
DATA LAMP, NEON				
SIZE	CODE IDENT. NO.	DWG NO.	ISSUE	
B	82679	BI 119	Ø	
SCALE			SHEET	OF