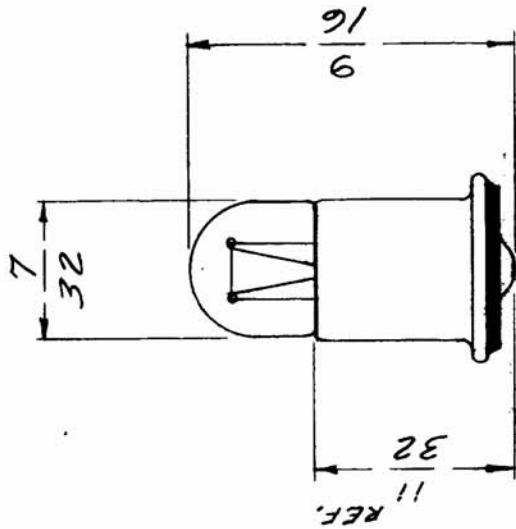


THE CONTENTS OF THIS DRAWING ARE THE EXCLUSIVE PROPERTY OF THE TECHNICAL MATERIEL CORP. ITS UNAUTHORIZED USE OR REPRODUCTION IN WHOLE OR IN PART IS STRICTLY FORBIDDEN.



REQ. PER UNIT
 USED ON
 MODEL
 ASS'Y. NO.
 DATE
 10-24-61

BI-110
 MIL EQUIV. NO.
 B

TMC PART NO.	MFR NO.	VOLTS AC/DC	AMPS	LIFE HOURS
BI 110-1	*331	1.3	.06	500
BI 110-2	*338	2.7	.06	500
BI 110-3	328	6.0	.20	500
BI 110-4	345	6.0	.04	1000
BI 110-5	*344	10.0	.015	INDEFINITE
BI 110-6	330	14.0	.08	750
BI 110-7	327	28.0	.04	1000
BI 110-8	349	6.3	.20	3000
BI 110-9	387	28.0	.04	25,000
BI 110-10	382	14.0	.08	50,000

* RECOMMENDED FOR USE WITH TRANSPARENT LENSES ONLY

STANDARD DRAWING

REQ. ITEM	PART NO.	DESCRIPTION	SYMBOL
		THE TECHNICAL MATERIEL CORP. MAMARONECK, NEW YORK	
		LAMP, INCANDESCENT, SINGLE	
		CONTACT, MINIATURE T-134	
		W.S. 10-24-61	JFM
		DRAWN	FINAL APPROVAL
		CHECKED	BI-110
		TYPE & TEMPER	
		HEAT TREAT. SPEC.	
		FINISH & SPEC. NO.	
		SCALE: 3/4" = 1" - 40	
		UNLESS OTHERWISE SPECIFIED: DIMENSIONS ARE IN INCHES TOLERANCES ON FRAC. ± 1/64 DEC. ± .005 ANGLES ± 1/2°	
		MAXIMUM ALLOWABLE TOLERANCES HAVE BEEN DETERMINED AND ANY DEVIATIONS WILL BE CAUSE FOR REJECTION. REMOVE ALL BURRS AND SHARP EDGES	
		DATE	CHECKER
		CH. NO.	ENG. APP.
		DRAFTS	
		1-15-69 19190 RG GE	
		11-7-66 17182 WLO QJS	