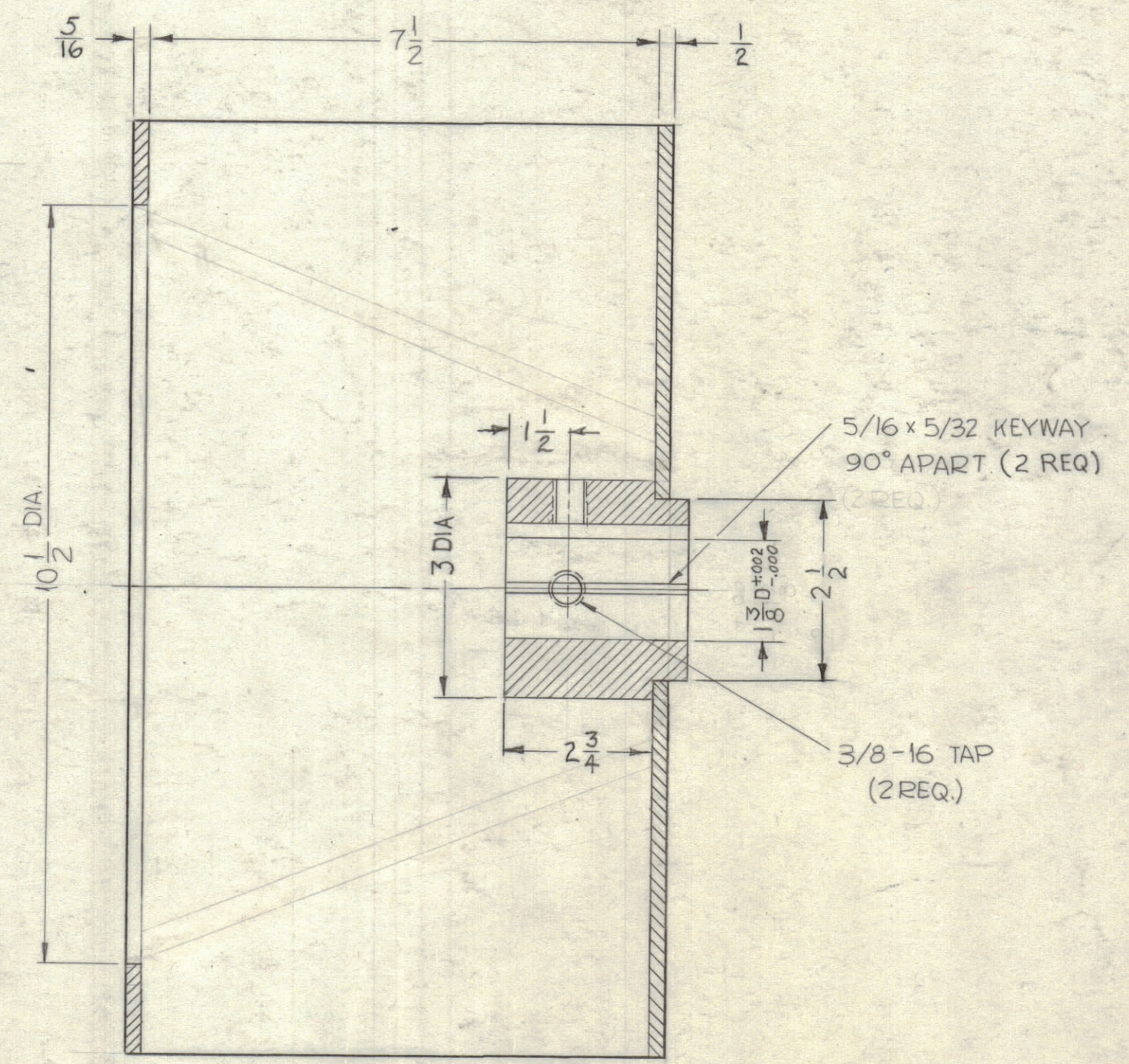
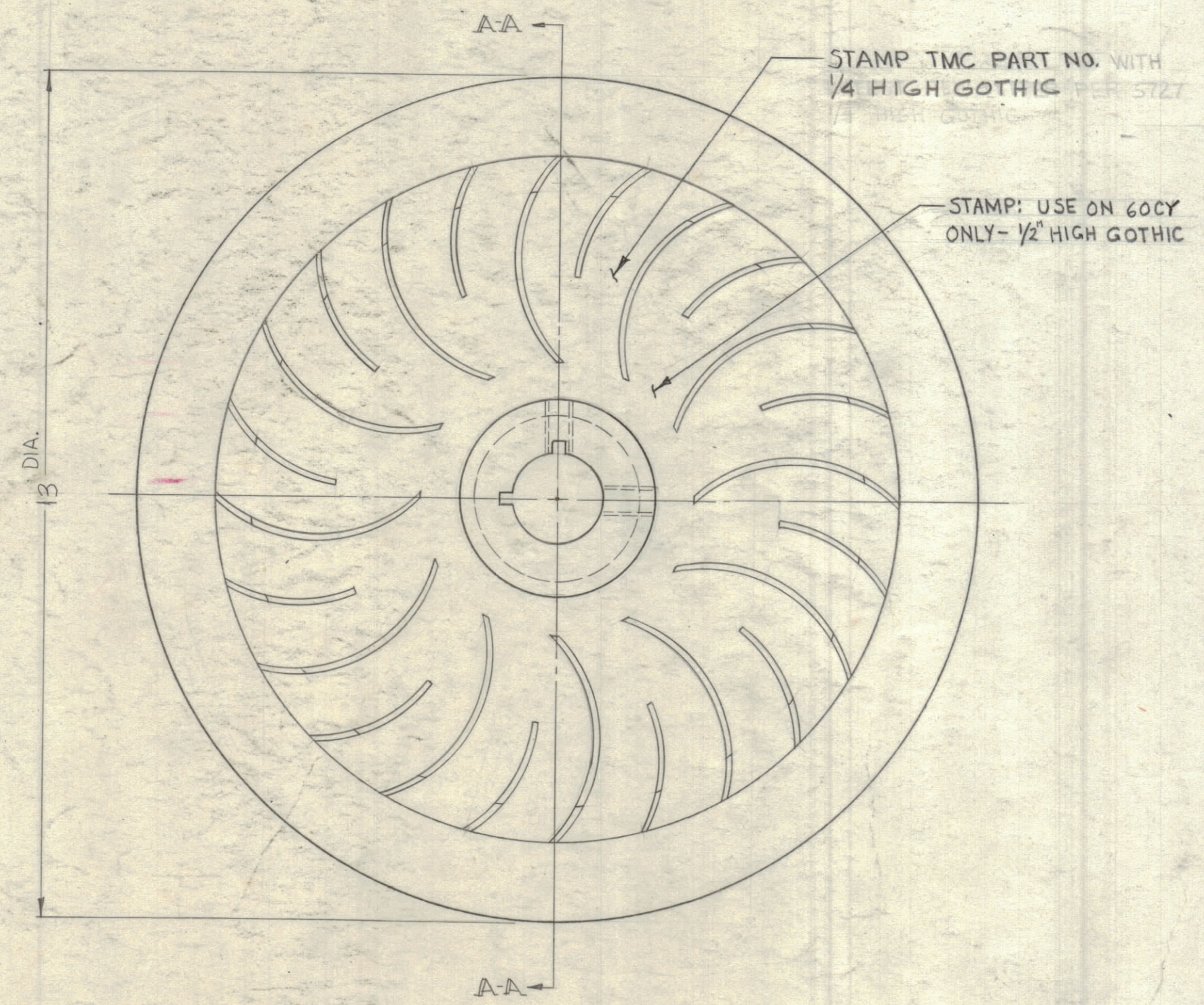


TMC P/N	MFG P/N	OPERATING FREQUENCY
BF104-50	SK664	50 CY
BF104-60	SK700	60 CY

REVISIONS						
ZONE	SYM	DESCRIPTION	DATE	E.M.N. NO.	DRAFT	CHKD. APPD.
#	0	ORIGINAL RELEASE FOR PRODUCTION	5-27-64	0	A.M.	
	A	TMC CHART ADD. DIMS. UPDATED. TMC PART NO. BF104-60 ADD. TO PICT. SEE SHEET 2 OF 2 FOR BF104-50.	11-2-64	12781	2f	@



SECTION A-A

BF 104-60

NOTE
FINISH-S

NOTE
FINISH- SEMI-GLOSS GLOSS ENAMEL PER TT-E-529 COLOR # 27038 PER FED STD 595.

NOTES

Q'TY./UNIT	GPT-200K	MODEL USED ON	ASS'Y. NO.
SCALE	DO NOT SCALE	CODE	
THE CONTENTS OF THIS DRAWING ARE THE EXCLUSIVE PROPERTY OF THE TECHNICAL MATERIEL CORP. ITS UNAUTHORIZED USE OR REPRODUCTION IN WHOLE OR IN PART IS STRICTLY FORBIDDEN.			

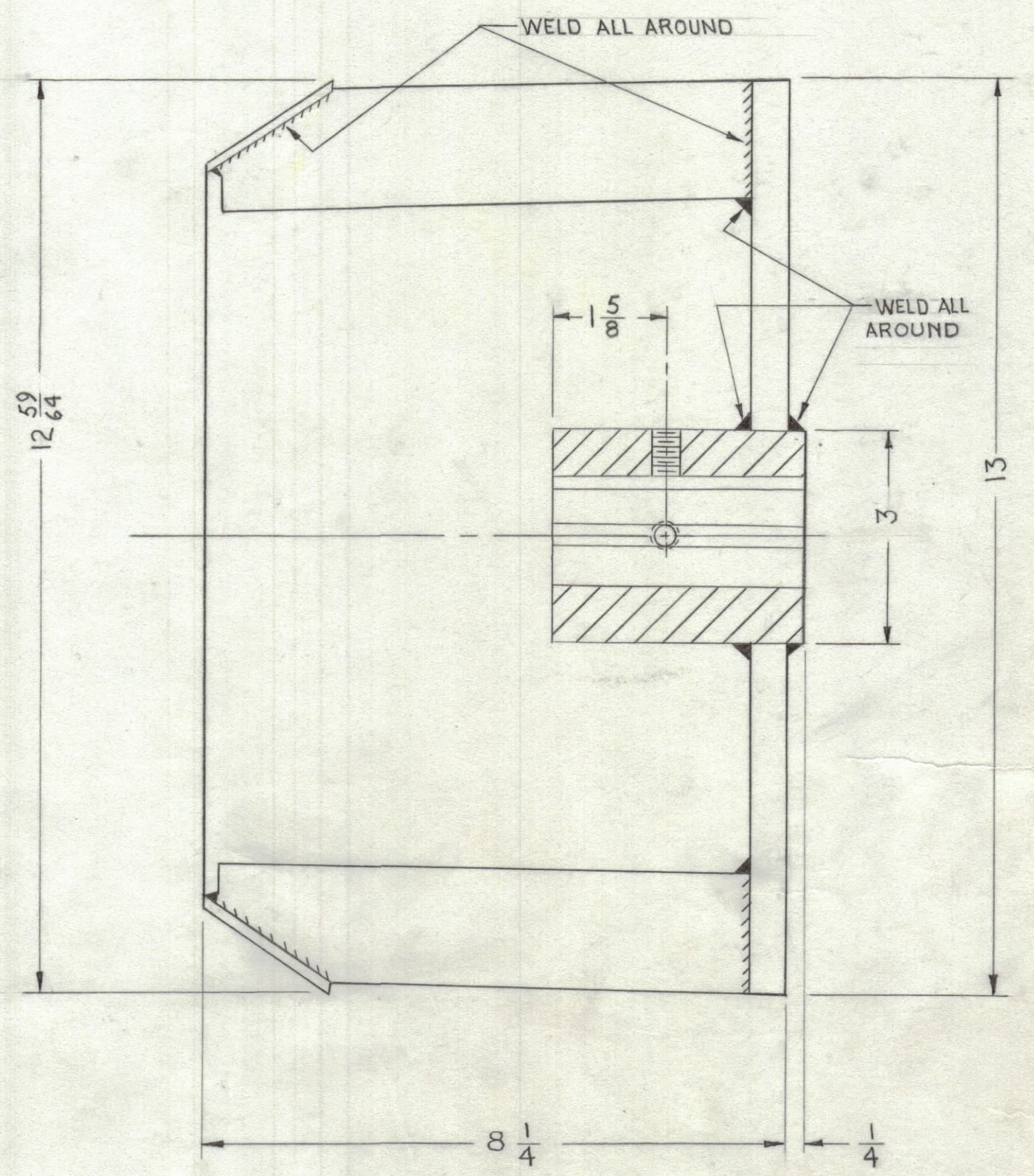
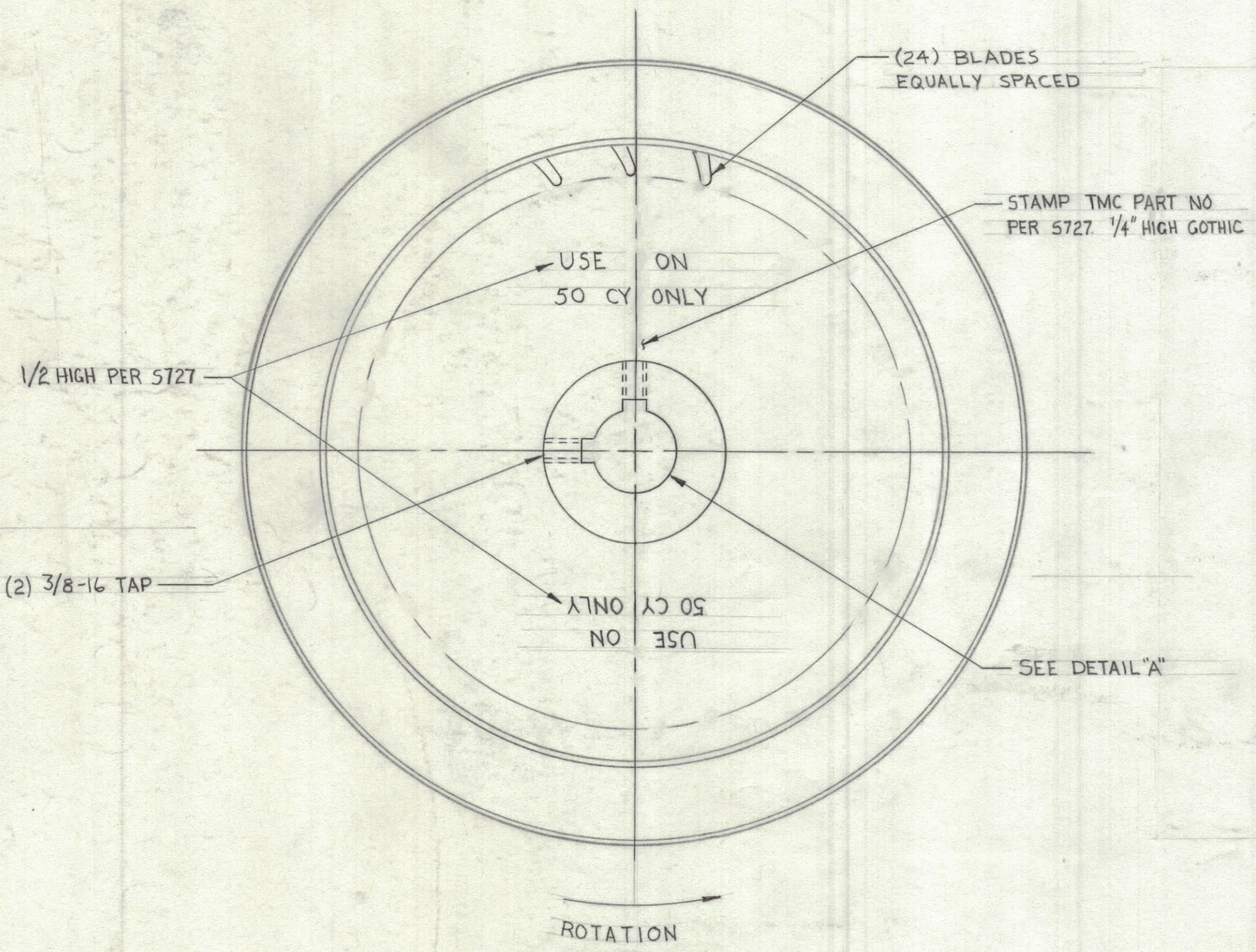
REF: TMC DWG BL-113

STANDARD DRAWING

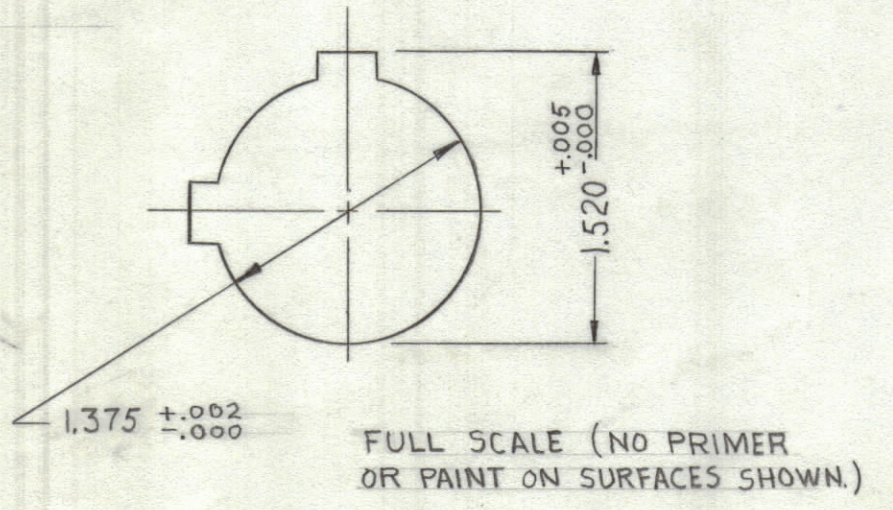
REQ'D.	ITEM	PART NUMBER	DESCRIPTION	SYMBOL
F. BUDETTI		LIST OF MATERIAL		
MATERIAL		STEEL		
FINISH		SEE NOTE		
THE TECHNICAL MATERIEL CORP.		MAMARONECK, NEW YORK		
TITLE		IMPELLER, CENTRIFUGAL BLOWER		
DRAWN	SRG	DATE	11-19-62	FINAL APPROVAL
CHECKED	aa	DATE		
ELECT. DES.	SRG	DATE	5/2/69	BF-104
MECH. DES.	SRG	DATE	3/2/64	A
SHEET				REV. LTR.

BF-104
A

REVISIONS							
ZONE	SYM	DESCRIPTION	DATE	E.M.N. NO.	DRAFT	CHKD	APPD
A		SHEET 2 OF 2 ADDED.	11.4.64	12781	JP		



BF 104-50



FINISH:

ZINC CROMATE PRIMER

LIGHT GREEN SEMI-GLOSS ENAMEL

STANDARD DRAWING

REF: TMC DWG BL-113

REQ'D.	ITEM	PART NUMBER	DESCRIPTION	SYMBOL
LIST OF MATERIAL				
MATERIAL		THE TECHNICAL MATERIEL CORP. MAMARONECK, NEW YORK		
ALUMINUM-6061-T6		BLOWER, IMPELLER, CENTRIFUGAL		
FINISH		TITLE		
SEE ABOVE		BLOWER, IMPELLER, CENTRIFUGAL		
UNLESS OTHERWISE SPECIFIED DIMENSIONS ARE IN INCHES AND INCLUDE CHEMICALLY APPLIED OR PLATED FINISHES		DRAWN	DATE	FINAL APPROVAL
		12-10-64	11.4.64	
		CHECKED	DATE	
			12-10-64	
		ELECT. DES.	DATE	
			12-10-64	
		MECH. DES.	DATE	
			12-10-64	
		SHEET 2 OF 2		REV. LTR.
				A

Q'TY./UNIT	MODEL USED ON	ASS'Y. NO.
1	GPT-200 K	
SCALE	CODE	
DO NOT SCALE		
THE CONTENTS OF THIS DRAWING ARE THE EXCLUSIVE PROPERTY OF THE TECHNICAL MATERIEL CORP. ITS UNAUTHORIZED USE OR REPRODUCTION IN WHOLE OR IN PART IS STRICTLY FORBIDDEN.		

NOTES