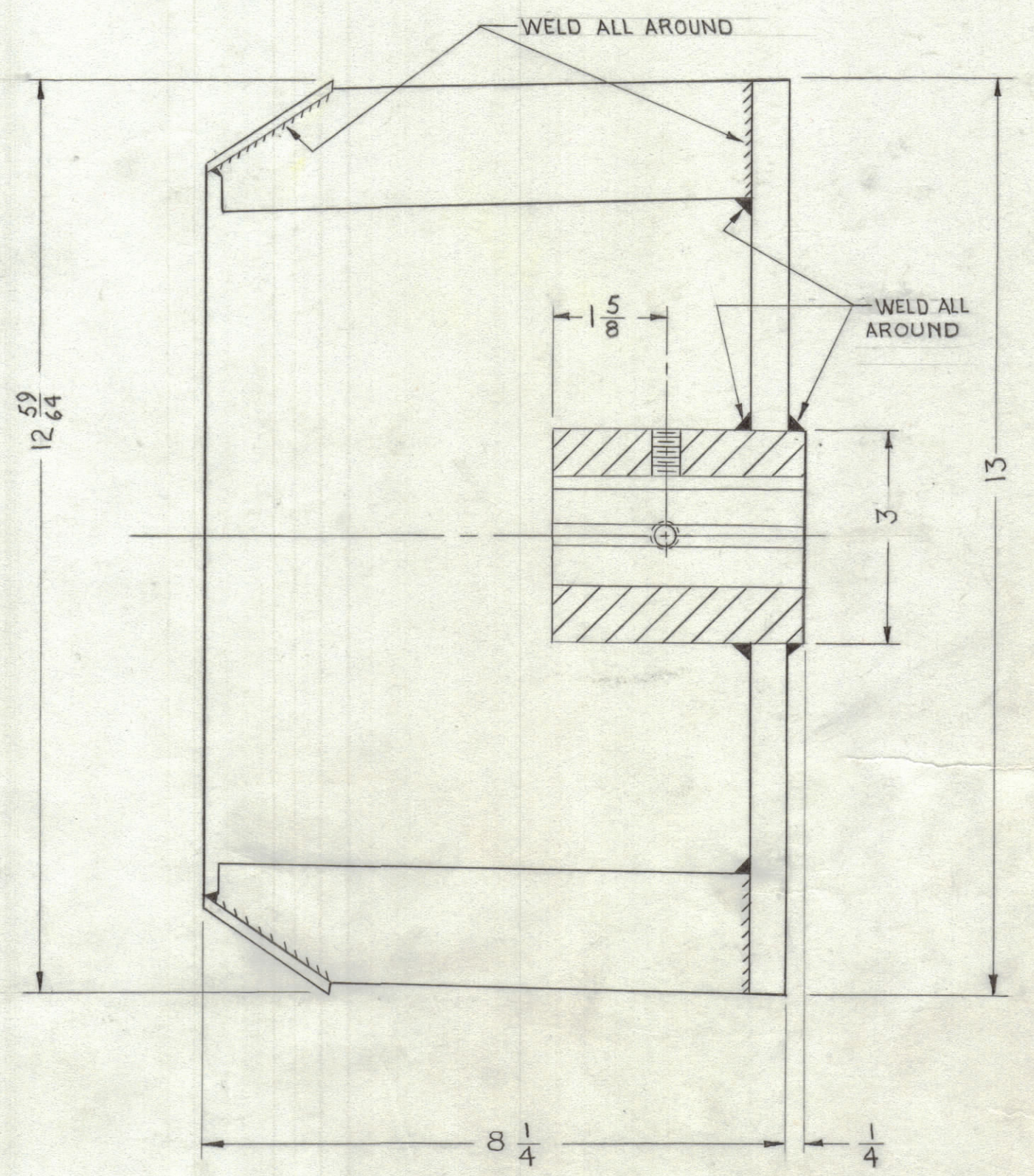
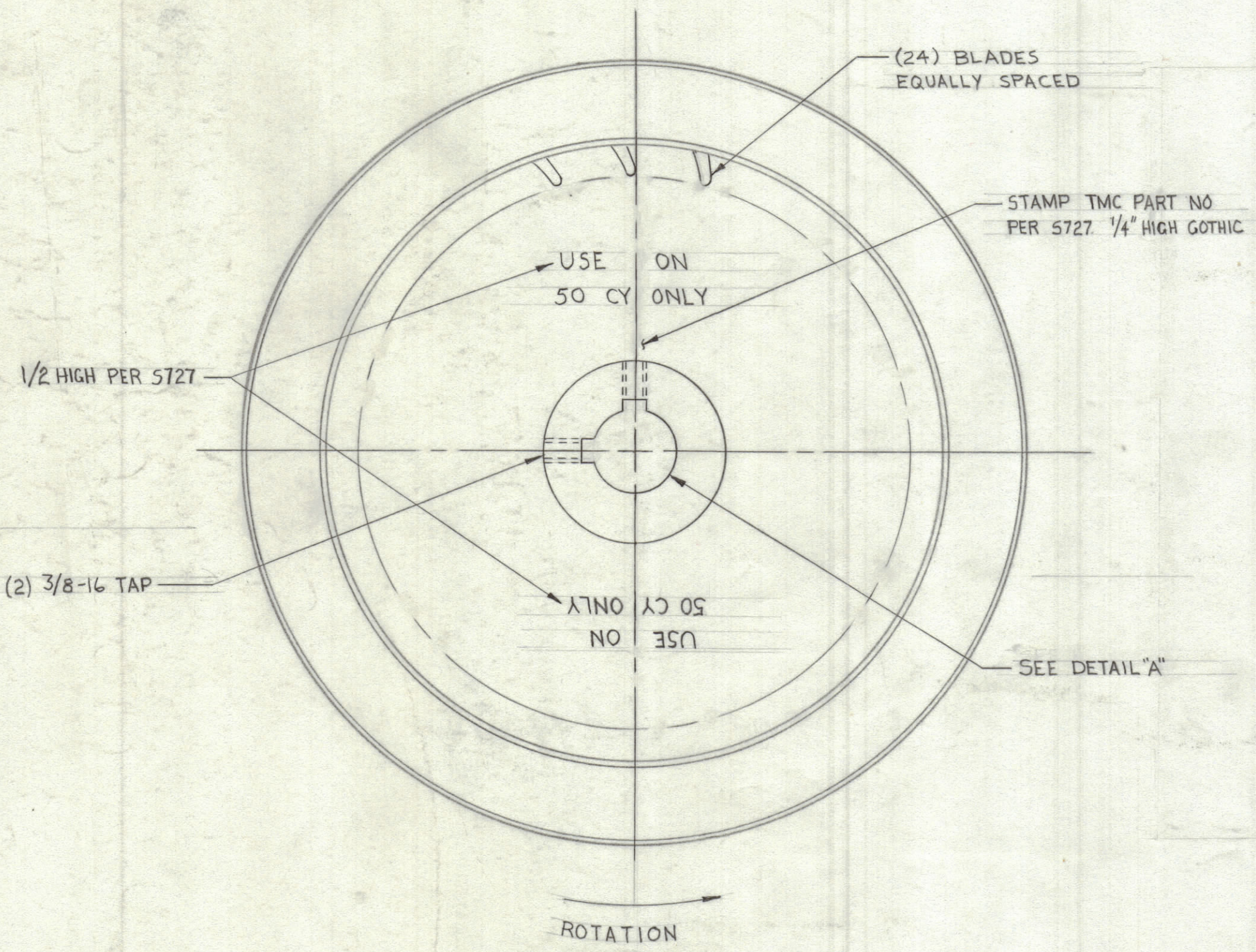
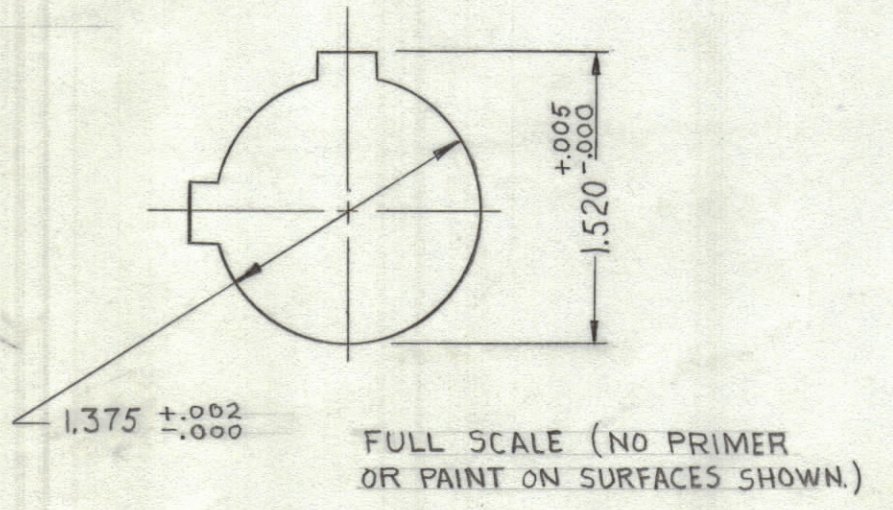


REVISIONS							
ZONE	SYM	DESCRIPTION	DATE	E.M.N. NO.	DRAFT	CHKD	APPD
A		SHEET 2 OF 2 ADDED.	11.4.64	12781	JP		



FINISH:  
 ZINC CROMATE PRIMER  
 LIGHT GREEN SEMI-GLOSS ENAMEL

BF 104-50



DETAIL "A"

STANDARD DRAWING

REF: TMC DWG BL-113

REQ'D.	ITEM	PART NUMBER	DESCRIPTION	SYMBOL
LIST OF MATERIAL				
MATERIAL		THE TECHNICAL MATERIEL CORP. MAMARONECK, NEW YORK		
ALUMINUM-6061-T6		BLOWER, IMPELLER, CENTRIFUGAL		
FINISH		TITLE		
SEE ABOVE		BLOWER, IMPELLER, CENTRIFUGAL		
UNLESS OTHERWISE SPECIFIED DIMENSIONS ARE IN INCHES AND INCLUDE CHEMICALLY APPLIED OR PLATED FINISHES		DRAWN <i>J. Swan</i> DATE 11.4.64		
DECIMALS .X ± .05 XX ± .01 XXX ± .005		CHECKED <i>JP</i> DATE 12-10-64		
FRACTIONS ± 1/64 ANGLES ± 0° 30'		ELECT. DES. DATE		
TOLERANCES		MECH. DES. DATE 12-10-64		
		SHEET 2 OF 2		
		REV. LTR.		

NOTES

THE CONTENTS OF THIS DRAWING ARE THE EXCLUSIVE PROPERTY OF THE TECHNICAL MATERIEL CORP. ITS UNAUTHORIZED USE OR REPRODUCTION IN WHOLE OR IN PART IS STRICTLY FORBIDDEN.

BF 104  
A