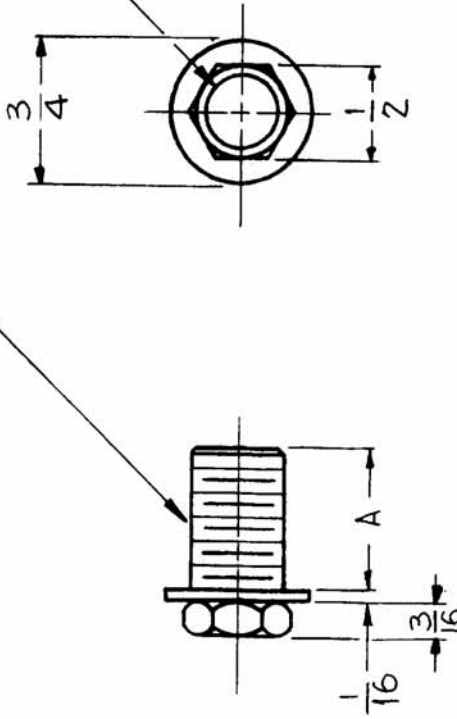


REQ. PER UNIT	M DEL	USED ON
1	GPT 10K	ASS'Y. N. DATE
		AT-100 4-30-59
		BB-121 B

$\frac{1}{2}$  - ZONE THREAD  
 CLASS #2B  
 $\pm .0015$   
 $\frac{3}{8}$  (.375) DIA. THRU



TMC No.	"A" DIM.	SUPERCEDES TMC PART NO.
BB-121-1	3/4	BB-121
BB-121-2	1/2	—

# STANDARD DRAWING

REQ. ITEM	PART NO.	DESCRIPTION	SYMBOL
		THE TECHNICAL MATERIEL CORP.	
		MAMARONECK, NEW YORK	
		BEARING, PANEL	
		ANTENNA TUNING	
		J.C. BIELE	
		DRAWN	
		CHECKED	
		FINAL APPR VAL	
		BB-121 B	

REQ. ITEM	STOCK SIZE	FINISH & SPEC. NO.
	BRASS	
	MATERIAL	
	TYPE & TEMPER	
	HEAT TREAT. SPEC.	

DATE	CH. NO.	DRAFTS	CHECKER	ENG. APP.
5.7.64	11369	ATB	JCB	
7-25-64	6905	SRG	JCB	

SCALE:

MAXIMUM ALLOWABLE TOLERANCES HAVE BEEN DETERMINED AND ANY DEVIATIONS WILL BE CAUSE FOR REJECTION. REMOVE ALL BURRS AND SHARP EDGES

TOLERANCES

DEC. DIM.  $\pm$

FRAC. DIM.  $\pm$  1/64

ANGULAR DIM.  $\pm$