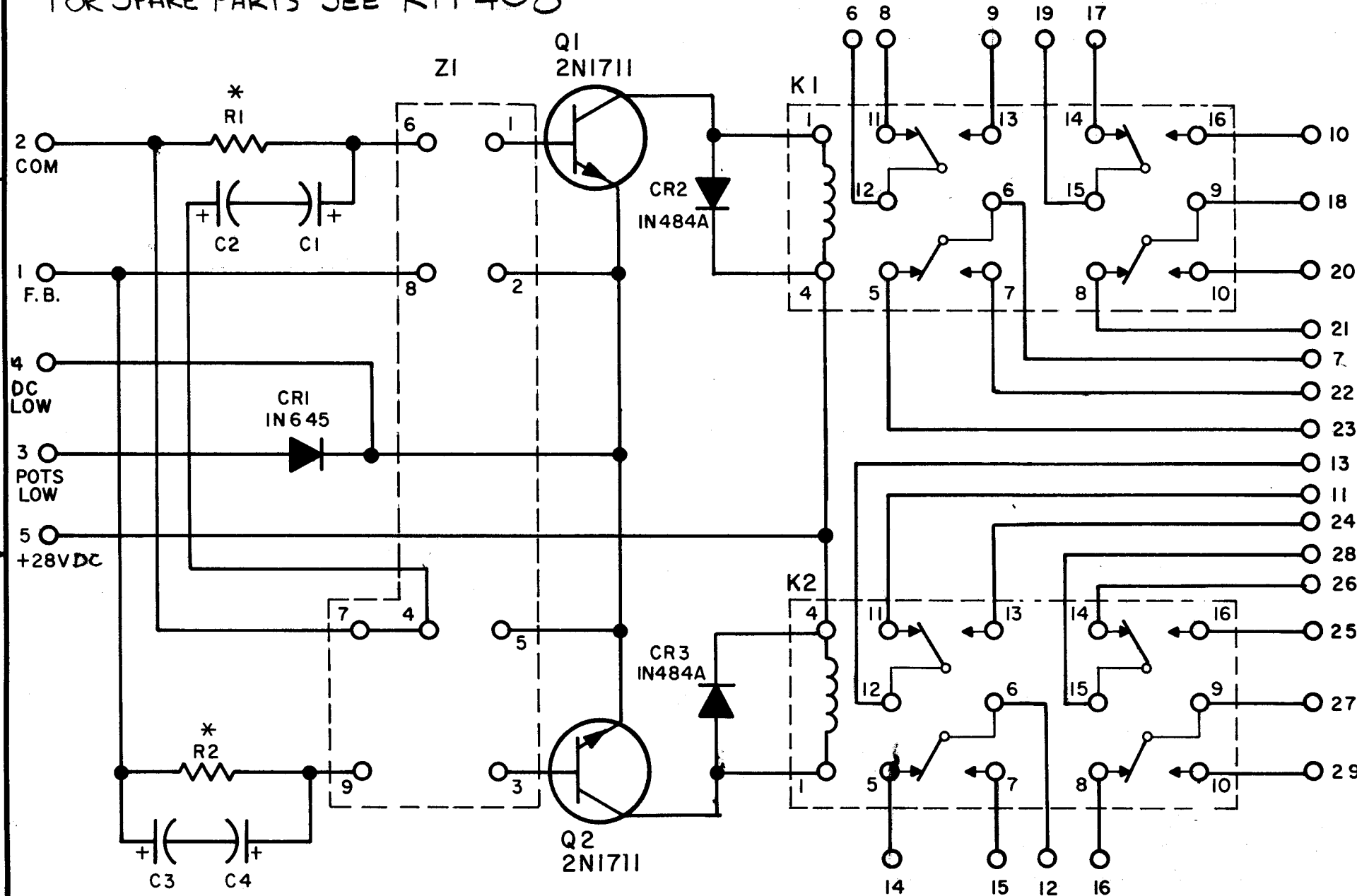


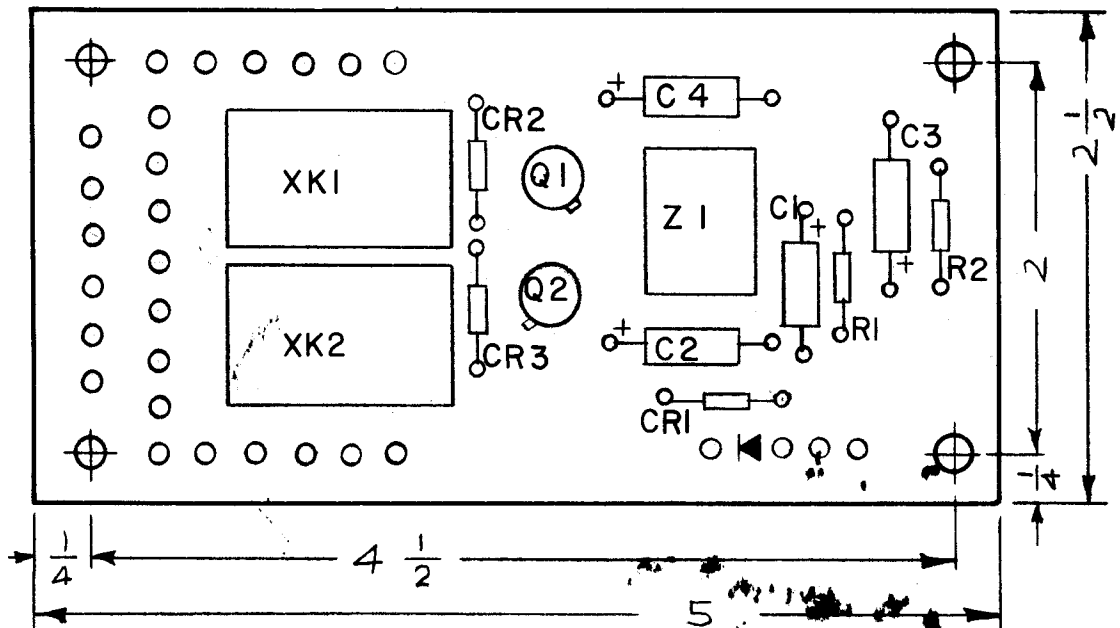
Do Not Use REPLACED BY AZ131
 For Spare Parts See KIT 408

REVISIONS						
ZONE	LTR	DESCRIPTION	DATE	E.M.N.NO	DRAFT	CHKD APPD
	X	EXPERIMENTAL RELEASE	3-31-70		KD	<i>[Signature]</i>
	Ø	ORIG RELEASE FOR PROD	3/9/70		CV	<i>[Signature]</i>
	A	Do Not Use Note Added	12-17-79	21756	<i>[Signature]</i>	FB <i>[Signature]</i>



NOTE: UNLESS SPECIFIED OTHERWISE
 1 ALL CAPACITORS ARE 22uf, 15V
 2 ALL RESISTORS ARE 1/4 WATT
 * NOMINAL VALUE - 12KΩ
 ACTUAL VALUE SET AT FACTORY DURING CALIBRATION

ALL DIMENSIONS FOR REF ONLY



1		AX 5080
QTY / UNIT	MODEL USED ON	ASS'Y NO.
APPLICATION		
	CODE	

NOTICE TO PERSONS RECEIVING THIS DRAWING
 THE TECHNICAL MATERIEL CORPORATION claims proprietary right in the material disclosed hereon. This drawing is issued in confidence for engineering information only and may not be reproduced or used to manufacture anything shown hereon without permission from THE TECHNICAL MATERIEL CORPORATION to the user. This drawing is loaned for mutual assistance and is subject to recall at any time.

REF: CK1934

UNLESS OTHERWISE SPECIFIED DIMENSIONS ARE IN INCHES AND INCLUDE CHEMICALLY APPLIED OR PLATED FINISHES	
DECIMALS	FRACTIONS
.X ± .05	1/64
.XX ± .01	TOLS. ANGLES
.XXX ± .005	0° - 30'
MATERIAL	
FINISH	

REQ'D	ITEM	PART NUMBER	DESCRIPTION	SYM.
BUDETTI LIST OF MATERIAL				
THE TECHNICAL MATERIEL CORP. MAMARONECK, NEW YORK				
ASSY				
NETWORK DISCRIMINATOR				
S 401-380(CS255)		SIZE B	CODE IDENT. NO. 82679	DWG NO. AZ117
SCALE		SHEET		OF