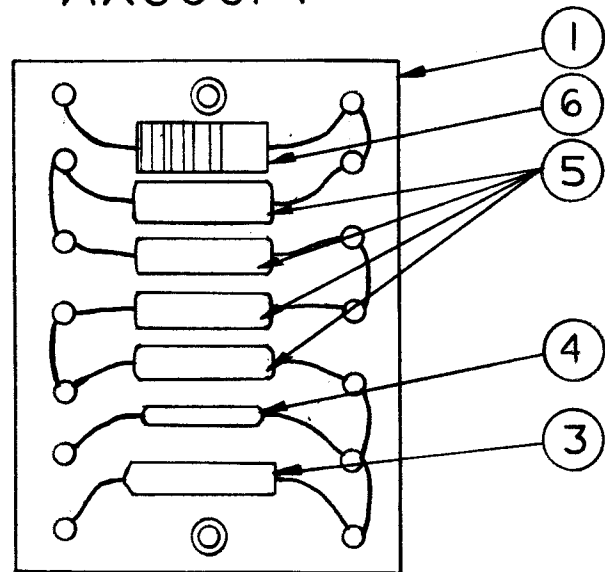
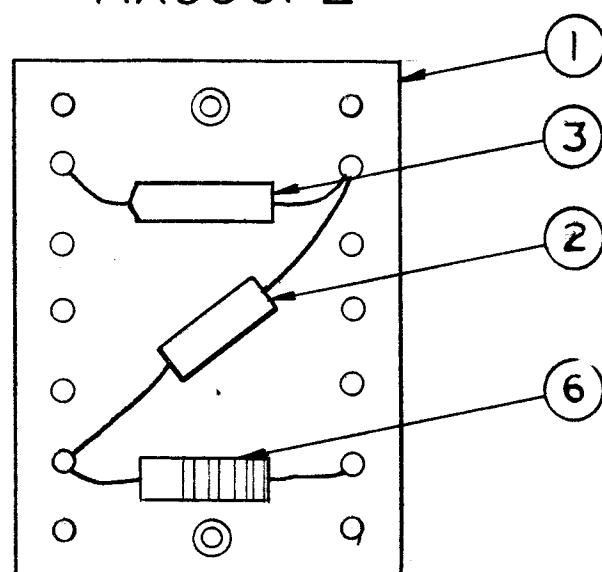


REVISIONS						
ZONE	LTR	DESCRIPTION	DATE	E.M.N.NO	DRAFT	CHKD APPD
	Ø	ORIG. RELEASE FOR PROD.	9/24/70		RG	

AX8061-1



AX8061-2



2	6	RC42GF433J	RESISTOR 43 K	
4	5	RN70D4993F	RESISTOR 500K	
1	4	RN65D49R9F	RESISTOR 49.9Ω 1%	
2	3	TC24	RESISTOR .5Ω ±1% 1/2W	
1	2	RN70D1004F	RESISTOR 1M	
2	1	1100 C	TERMINAL BOARD	
REQ'D	ITEM	PART NUMBER	DESCRIPTION	SYM.

LIST OF MATERIAL

-2	2	SPT-3KVHF	A8043
-1	2	SPT-3KVHF	A8043
QTY / UNIT	MODEL USED ON	ASS'Y NO.	

APPLICATION

CODE

NOTICE TO PERSONS RECEIVING THIS DRAWING
 THE TECHNICAL MATERIEL CORPORATION claims proprietary right in the material disclosed hereon. This drawing is issued in confidence for engineering information only and may not be reproduced or used to manufacture anything shown hereon without permission from THE TECHNICAL MATERIEL CORPORATION to the user. This drawing is loaned for mutual assistance and is subject to recall at any time.

UNLESS OTHERWISE SPECIFIED DIMENSIONS ARE IN INCHES AND INCLUDE CHEMICALLY APPLIED OR PLATED FINISHES

DECIMALS .X ± .05
 .XX ± .01
 .XXX ± .005

FRACTIONS 1/64
 TOLS. ANGLES 0°-30'

MATERIAL

FINISH

FINAL APPROVAL	DATE
MECH. DES.	DATE
ELECT. DES.	DATE
CHECKED	DATE
DRAWN	DATE

THE TECHNICAL MATERIEL CORP.
 MAMARONECK, NEW YORK

SCREEN MULTIPLIER TERMINAL BOARD ASSY

SIZE	CODE IDENT. NO.	DWG NO.	ISSUE
B	82679	AX8061	Ø

SCALE SHEET OF