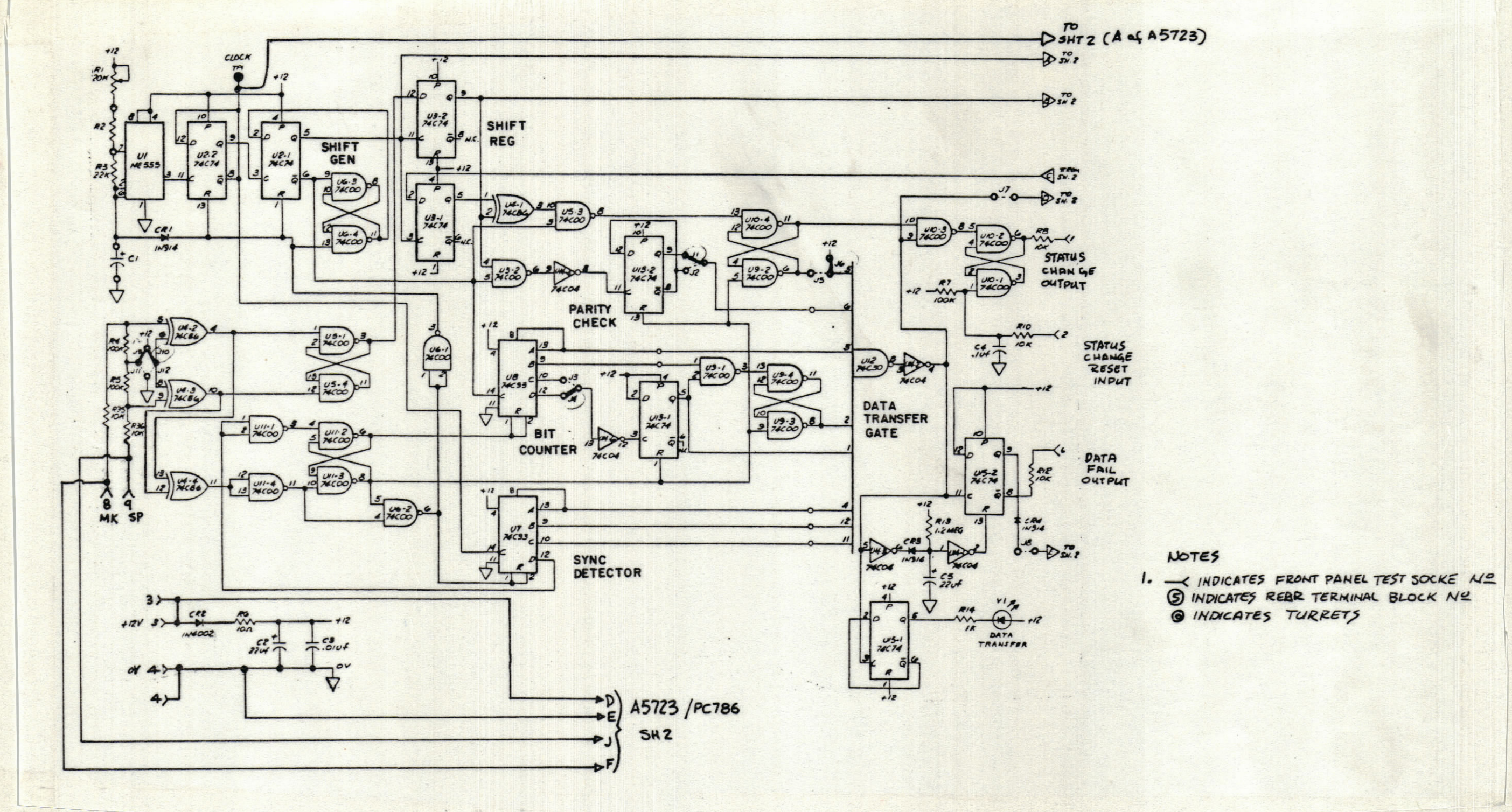
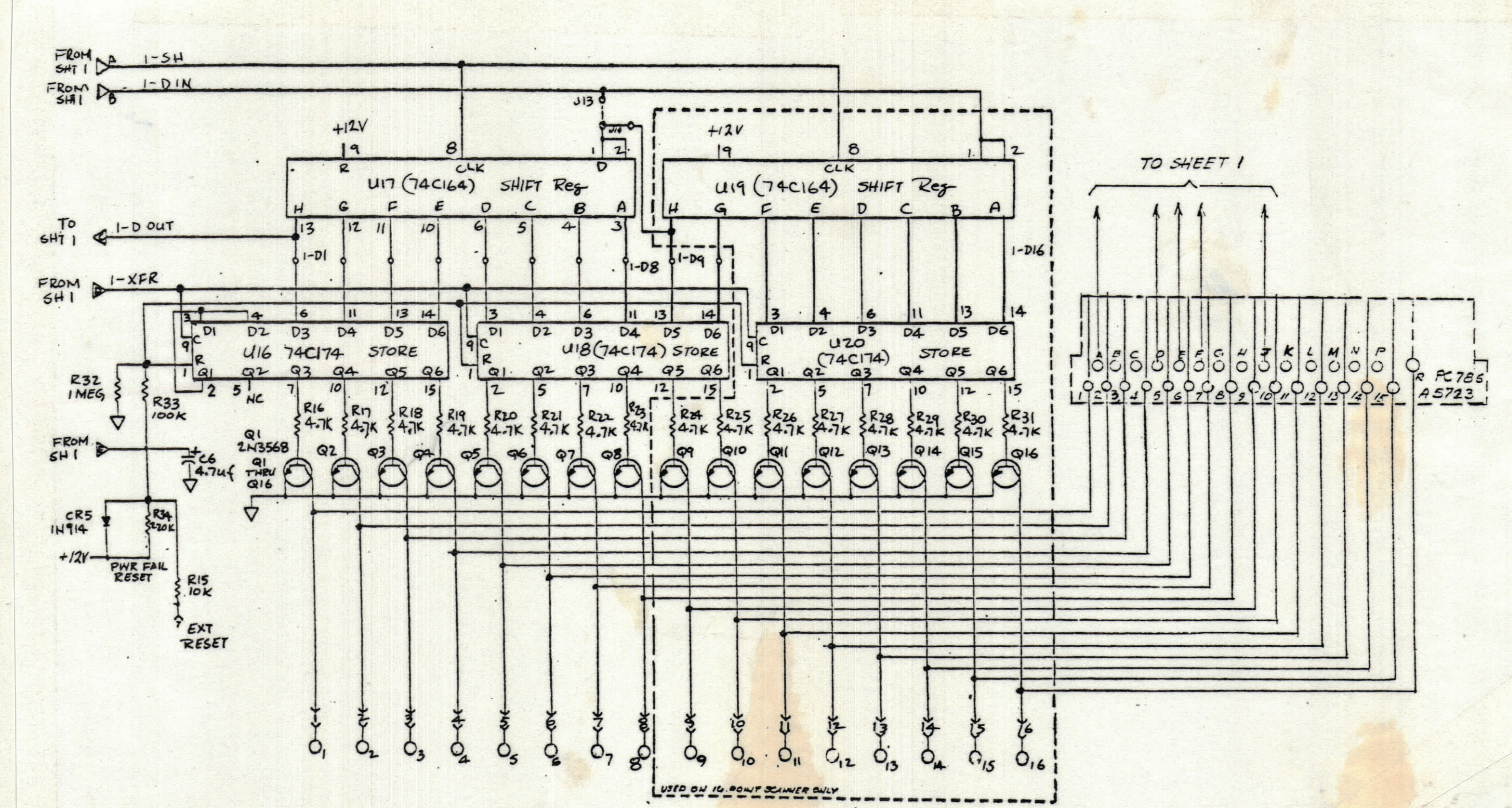


REVISIONS					
E.M.N.O.D.R.A.F.T	CHKD	ZONE	LTR	DATE	
dw				7-9-80	
DESCRIPTION				DATE	APPROVED
ORIGINAL RELEASE					

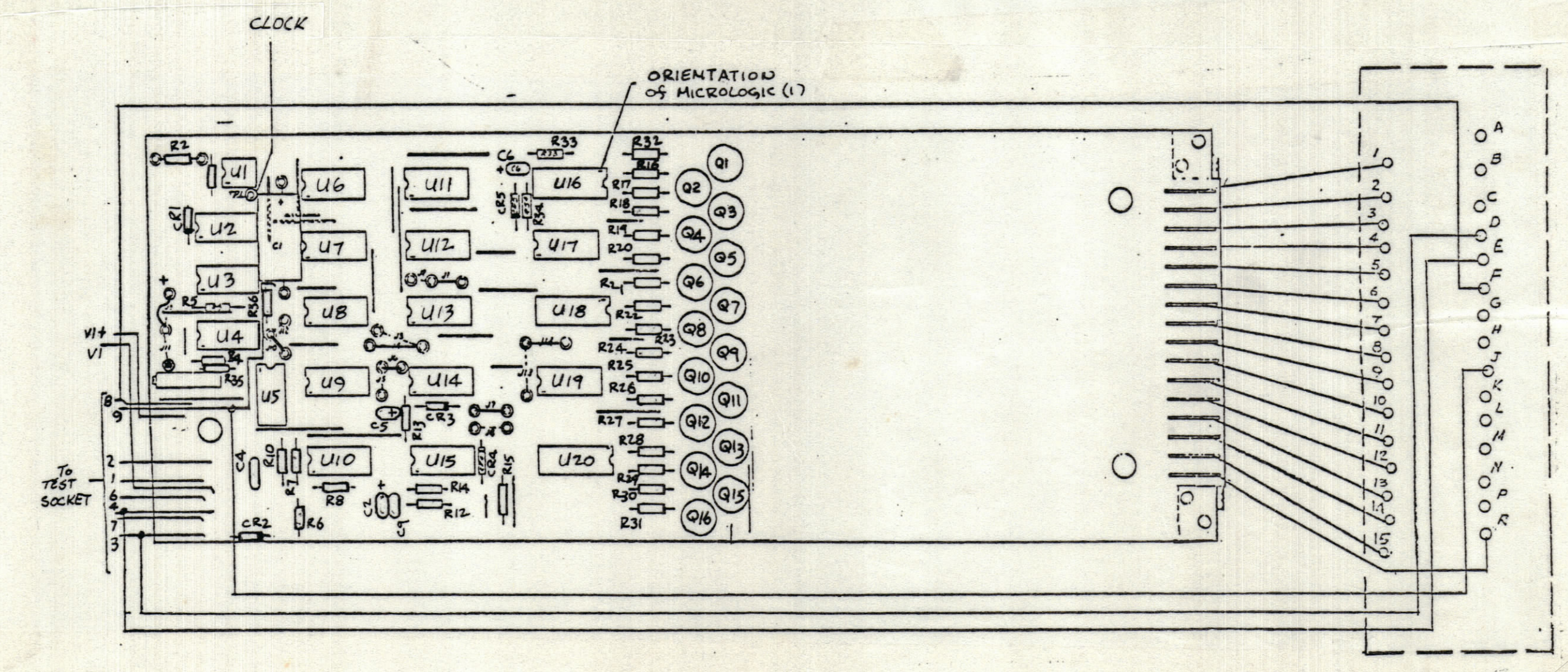


NOTES
 1. < INDICATES FRONT PANEL TEST SOCKET N/E
 2. ② INDICATES REBR TERMINAL BLOCK N/E
 3. ③ INDICATES TURRETS



Z103 WIRE ADDED FROM J7 TO A5723-L
 Z106 RELAY ADDED FOR POSITION 1 TO APPLY GND FOR TUNE.

Z101, Z103 (AX5223)
 Z106, Z108 (AX5224)
 DATA SCAN RECEIVER (DSR) ASSEMBLY



REF
 DAQ ELECTRONICS INC.
 DSR

2	AX793	BMA 540
2	AX793	BMA539
QTY / UNIT	MODEL USED ON	ASSY NO.
APPLICATION		
CODE		
NOTICE TO PERSONS RECEIVING THIS DRAWING		
THE TECHNICAL MATERIEL CORPORATION claims proprietary right in the material disclosed herein. This drawing is issued in confidence for engineering information only and may not be reproduced or used to manufacture anything shown hereon without permission from THE TECHNICAL MATERIEL CORPORATION to the user. This drawing is loaned for mutual assistance and is subject to recall at any time.		

UNLESS OTHERWISE SPECIFIED DIMENSIONS ARE IN INCHES AND INCLUDE CHEMICALLY APPLIED OR PLATED FINISHES

TOLERANCES ON
 DECIMALS .X ± .05
 .XX ± .01
 .XXX ± .005

FRACTIONS ± 1/64
 ANGLES ± 0° - 30'

QTY. REQ.	ITEM	PART NO.	DESCRIPTION	SYMBOL
LIST OF MATERIAL				
THE TECHNICAL MATERIEL CORP. MAMARONECK, NEW YORK				
DIGITAL SCANNER RECEIVER AX793				
SIZE CODE IDENT NO. DWG NO. ISSUE				
D 82679 AX793 0				
SCALE SHEET OF				

B AX793 0

A