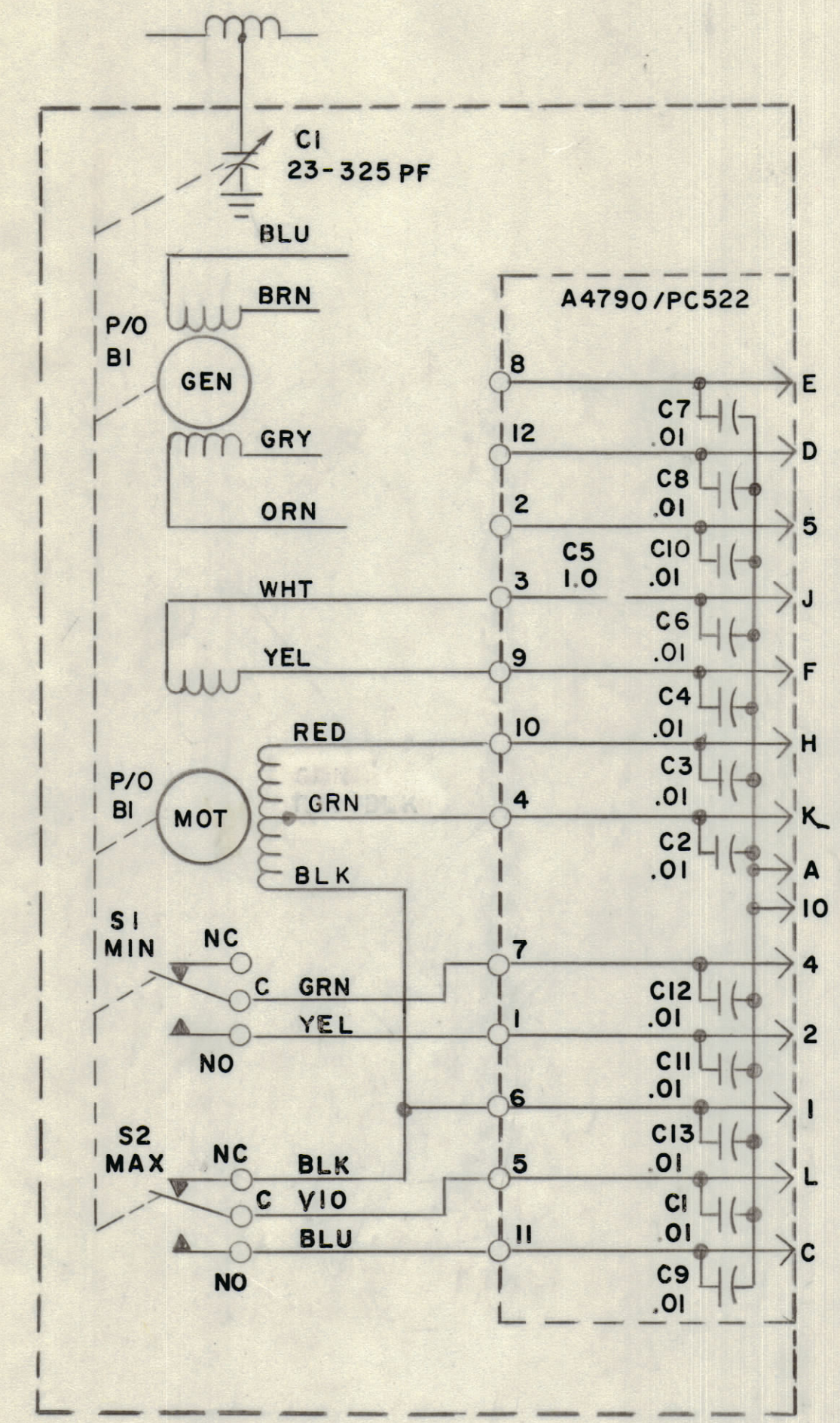
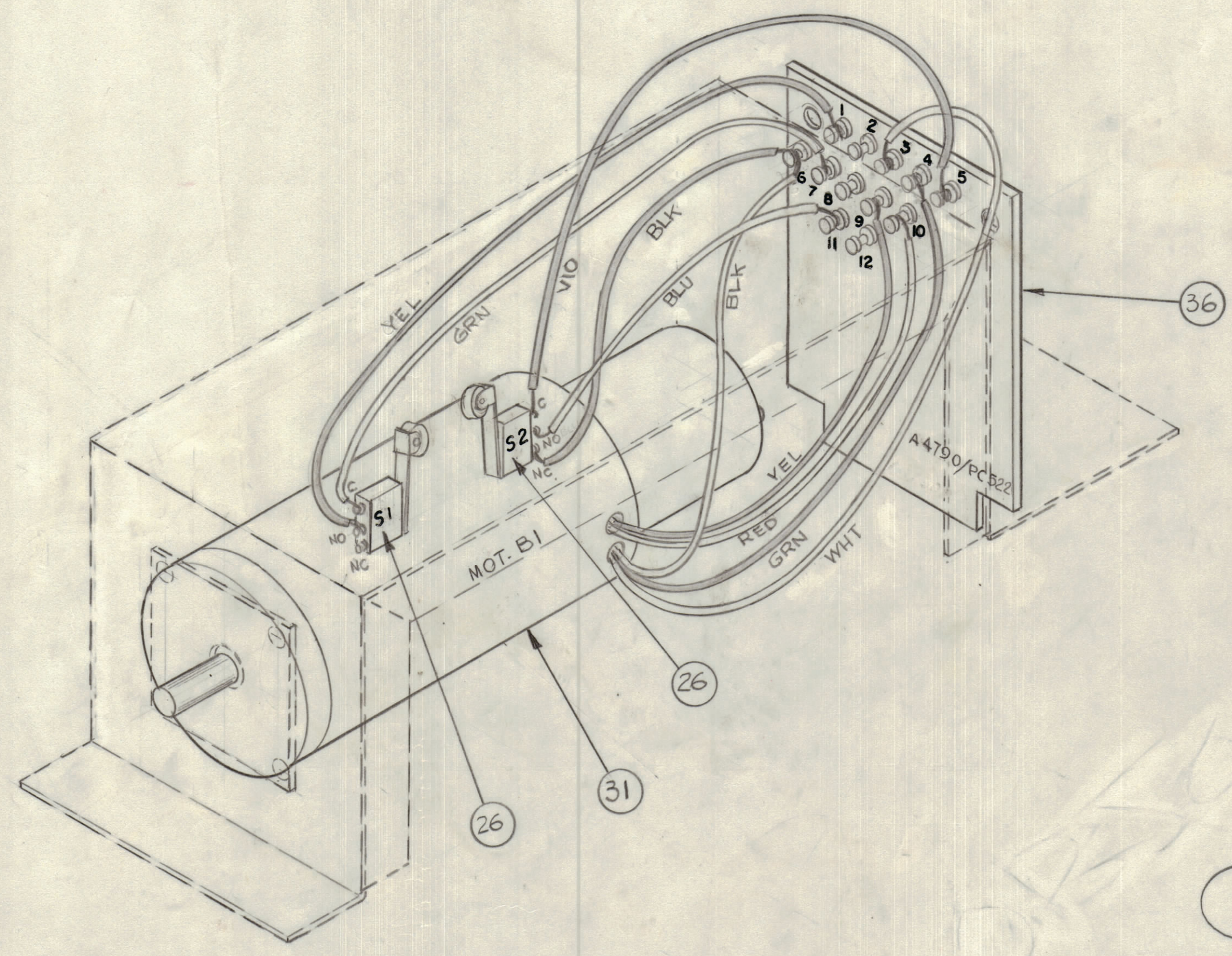


REVISIONS					
E.M.N.O	DRAFT	CHKD	ZONE	LTR	
17	dw				
DESCRIPTION				DATE	APPROVED
ORIGINAL RELEASE				9-26-80	



SCHEMATIC



OBSOLETE
 USE FOR SPARE PARTS ONLY
 (SEE AX5218)

KIT -407		
HFTA-10K		
QTY / UNIT	MODEL USED ON	ASS'Y NO.
APPLICATION		
CODE		
MATERIAL		
FINISH		

UNLESS OTHERWISE SPECIFIED DIMENSIONS ARE IN INCHES AND INCLUDE CHEMICALLY APPLIED OR PLATED FINISHES	
DECIMALS	FRACTIONS
.X ± .05	± 1/64
.XX ± .01	ANGLES
.XXX ± .005	± 0° -30'
TOLERANCES ON	
MATERIAL	
FINISH	

QTY. REQ.	ITEM	PART NO.	DESCRIPTION	SYMBOL
LIST OF MATERIAL				
FINAL APPROVAL		DATE	THE TECHNICAL MATERIEL CORP.	
MECH. DES.		DATE	MAMARONECK, NEW YORK	
ELECT. DES.		DATE	IPA TUNE	
CHECKED		DATE	CAPACITOR ASSY (AUTO)	
DRAWN		DATE	SIZE CODE IDENT NO. DWG NO.	
GDL		5-25-76	D 82679	AX5196
SCALE		SHEET 2 OF 2		ISSUE

NOTICE TO PERSONS RECEIVING THIS DRAWING
 THE TECHNICAL MATERIEL CORPORATION claims proprietary right in the material disclosed hereon. This drawing is issued in confidence for engineering information only and may not be reproduced or used to manufacture anything shown hereon without permission from THE TECHNICAL MATERIEL CORPORATION to the user. This drawing is loaned for mutual assistance and is subject to recall at any time.

AX5196