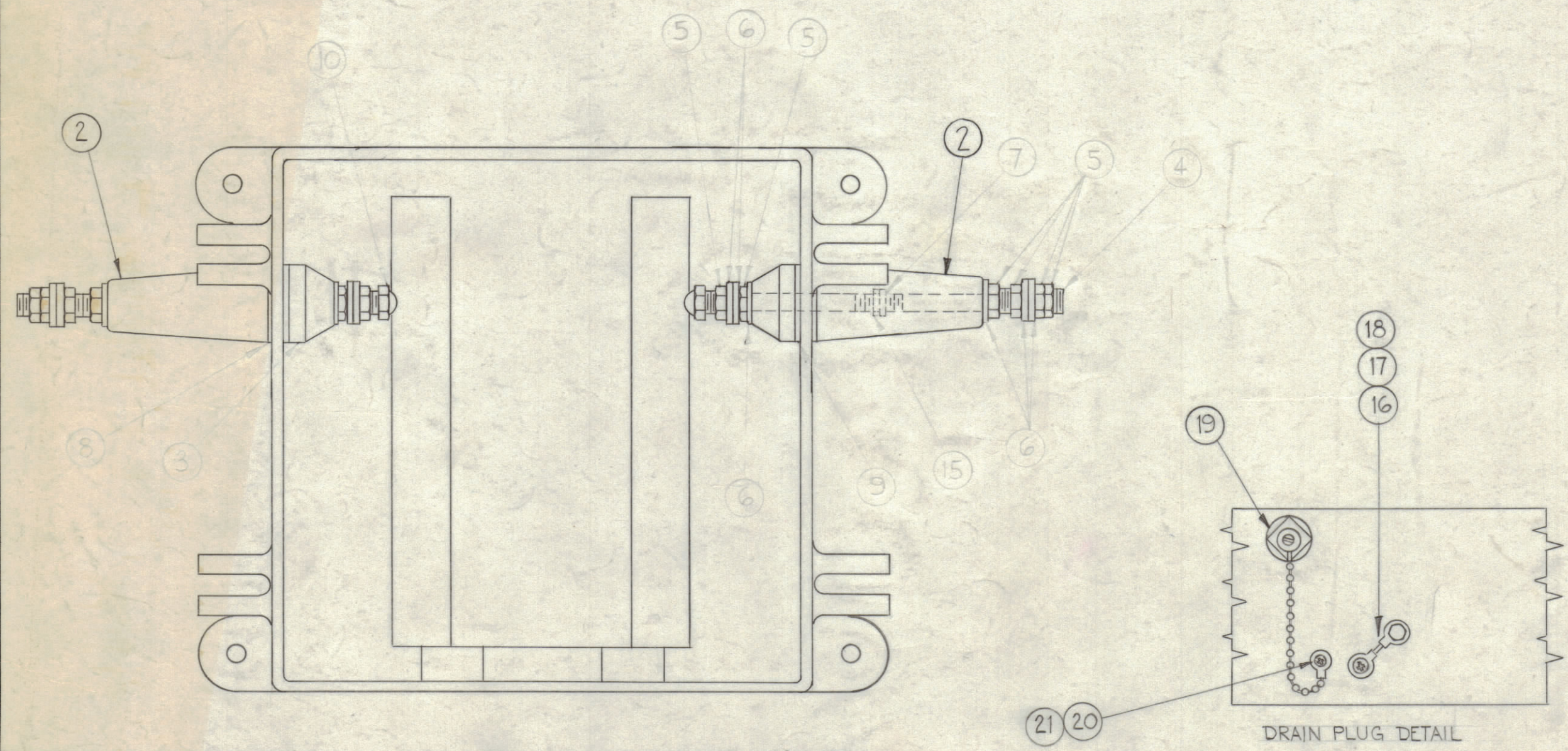


NOTE\*  
WHEN AIR SPARK GAP IS NOT REQUIRED REMOVE CAP NUT (NTC 2520 BNL) PART OF ITEM 2 RETURN TO STOCK.

NOTICE TO PERSONS RECEIVING THIS DRAWING  
THE TECHNICAL MATERIEL CORPORATION claims proprietary right in the material disclosed hereon. This drawing is issued in confidence and engineering information only and may not be reproduced or used to manufacture any thing shown hereon without permission from THE TECHNICAL MATERIEL CORPORATION to the user. This drawing is loaned for mutual assistance and is subject to recall at any time.  
Property of:  
THE TECHNICAL MATERIEL CORPORATION  
MAMARONECK, NEW YORK



X	22	GL-101-2	CEMENT, PLIOBOND
1	21	LWEOGMSS	LOCKWASHER, EXTERNAL
1	20	SCBP0632SS3	SCREW, MACHINE
1	19	A-1291	DRAIN PLUG ASS'Y.
1	18	SCBP1032SS4	SCREW, MACHINE
1	17	LWE10MSS	LOCKWASHER, EXTERNAL
1	16	A-1164	GROUND STRAP CASE
#	15	#	DELETED
1	14	PM-105	COVER, MACHINING
1	13	GA-103	GASKET, COVER
4	12	SCHH2520SS28	BOLT, HEX.
4	11	PM-100	PIN, COVER BOLT
+	10	#	DELETED
+	9	#	GASKET, CORK
+	8	#	GASKET, NEOPRENE (15/16 D)
+	7	#	DELETED NG, NEOPRENE (19/16 D)
4	6	FW25HSS	WASHER, FLAT
+	5	#	DELETED
+	4	#	SCREW ASS'Y
+	3	#	DELETED INSIDE
2	2	A-102	INSULATOR, ASSEMBLY
1	1	PM-106	CASE, MACHINING

F		NOTE ADDED	10/30/70	19239	GE	(U)	PEB
E	C2	ITEM 12 WAS SCHH2520SS24	6-3-64	11484	SRG	@	MHS
D	C2	ITEM (2) WAS SC-108-9	12/23/63	10648	SRG	@	WFB
C	B,C2	BUILD-UP COMPLETELY REVISED	2-2-63	8166	SRG	@	WFB
B	D2,H3	ITEM (22) & NOTE ADDED	9-20-62	7217	SRG	@	WFB
	C2,B2	ITEM (15) WAS FW25LRN, (6) WAS FW25MSS					
A	D2	ITEM 21 WAS LWEO6MRN, 20 WAS SCBS0632BN3	8-20-62	7076	G.S.	@	WFB
	D2	ITEM 18 WAS SCBS1032SS4					

UNLESS OTHERWISE SPECIFIED:  
DIMENSIONS ARE IN INCHES  
TOLERANCES ON FRACTIONS ± 1/64 DECIMALS ± .005 ANGLES ± 1/2°  
SCALE DO NOT SCALE  
MAXIMUM ALLOWABLE TOLERANCES HAVE BEEN DETERMINED AND ANY DEVIATIONS WILL BE CAUSE FOR REJECTION. REMOVE ALL BURRS & SHARP EDGES

REQ. PER UNIT	MODEL	SECTION	ASS'Y. NO.	DATE
				1-4-62

REQ. ITEM	PART NO.	DESCRIPTION	SYMBOL
JOHNSON			
THE TECHNICAL MATERIEL CORP. MAMARONECK, NEW YORK			
CASE & COVER ASSEMBLY			
RAC SERIES			
DRAWN		CHECKED	FINAL APPROVAL
ELEC. DES. APP.		MECH. DES. APP.	SHEET OF
		AX-315	F