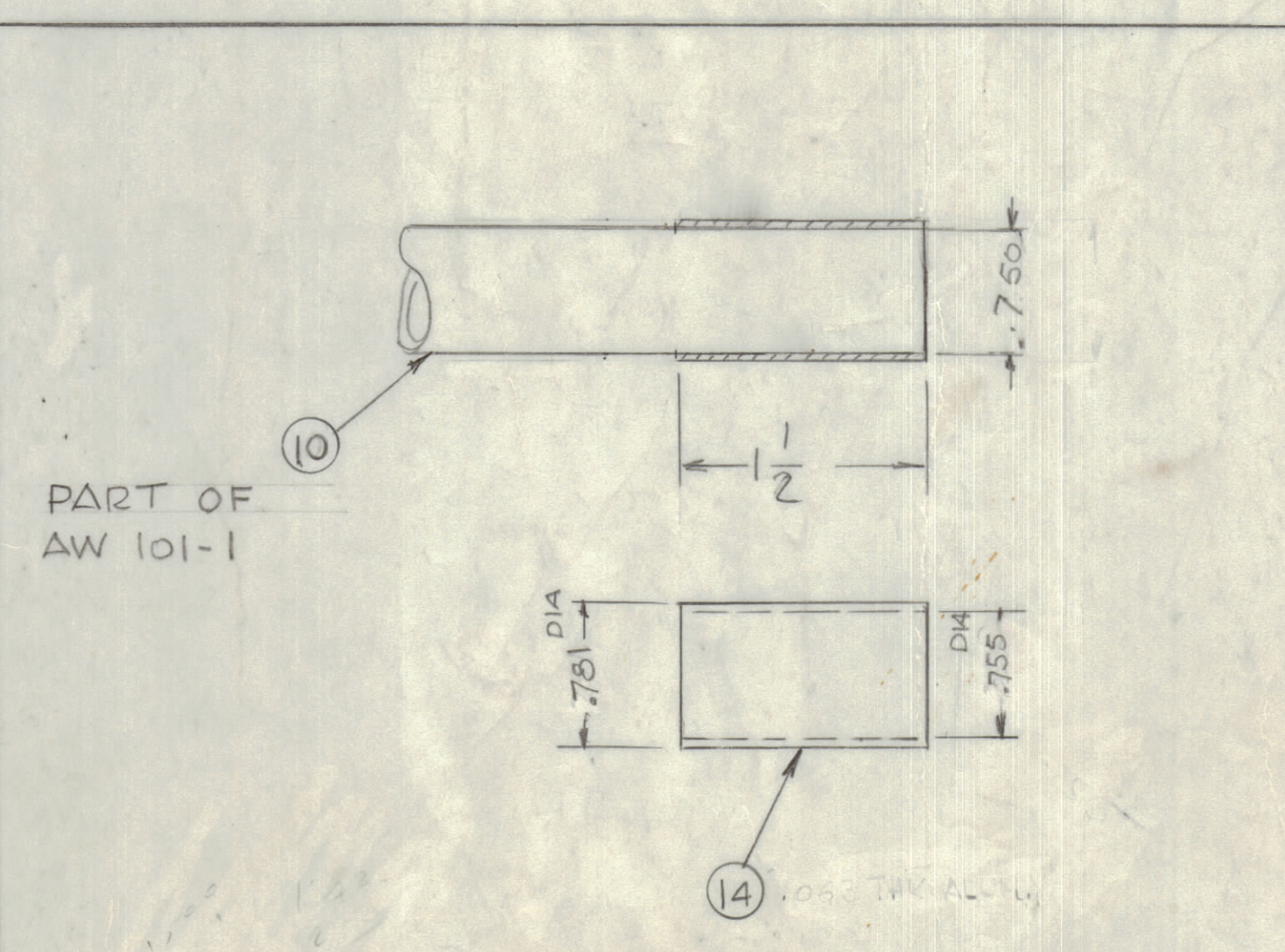
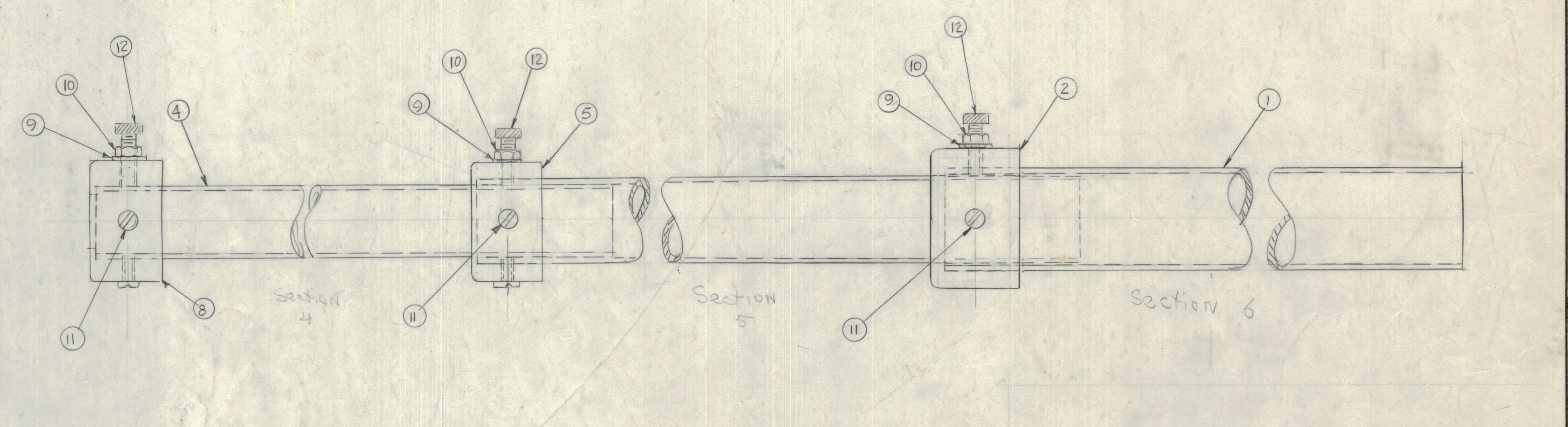
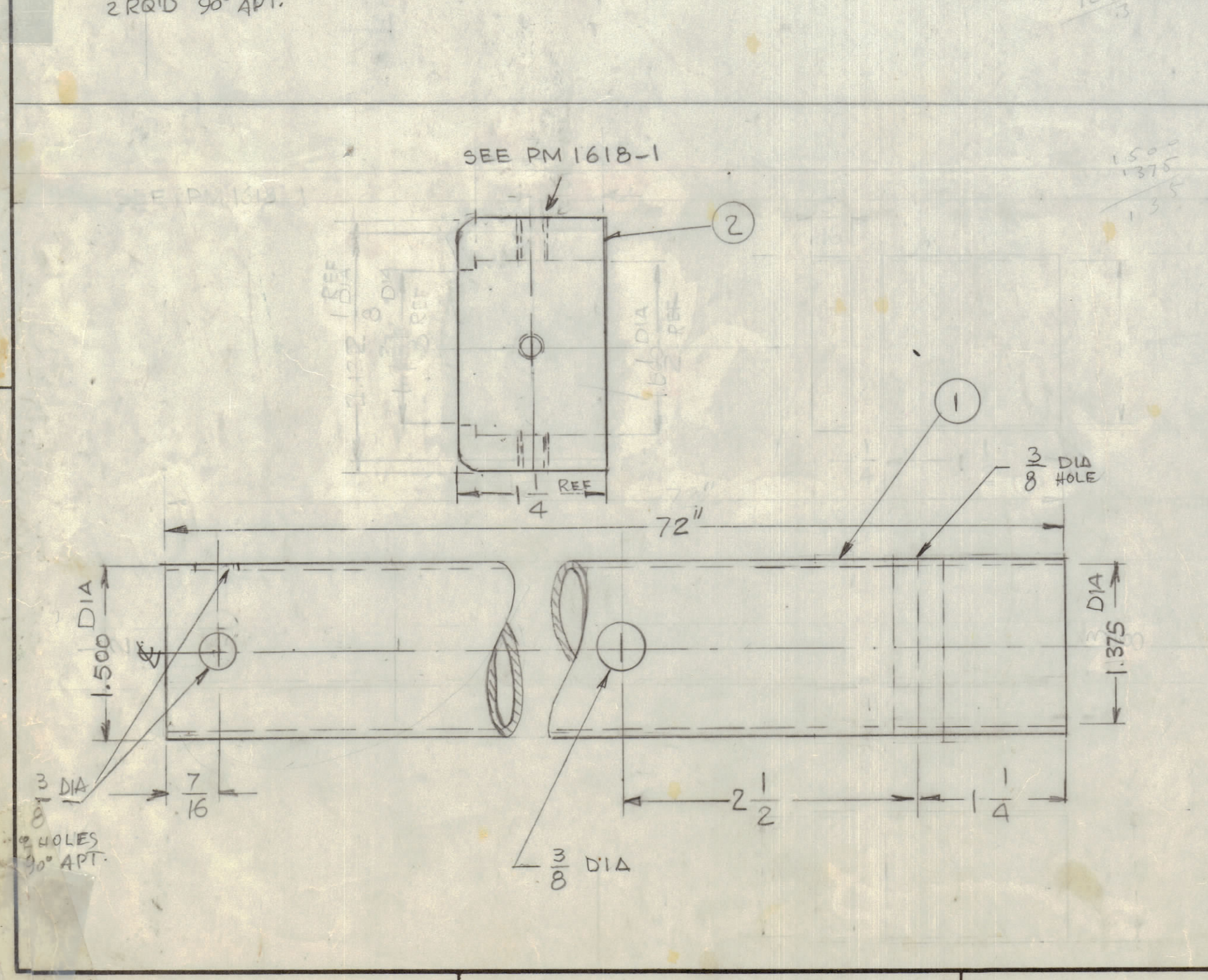
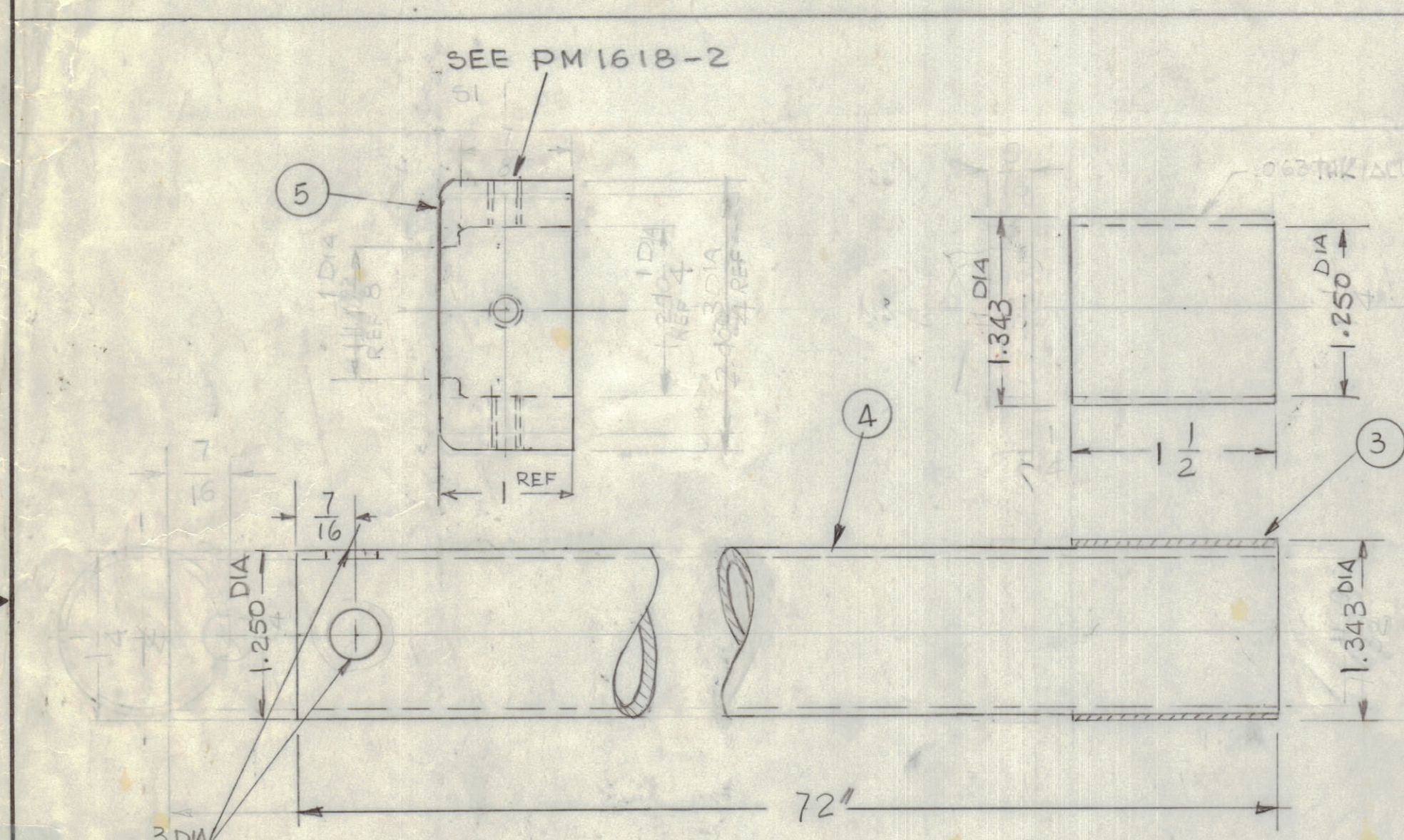
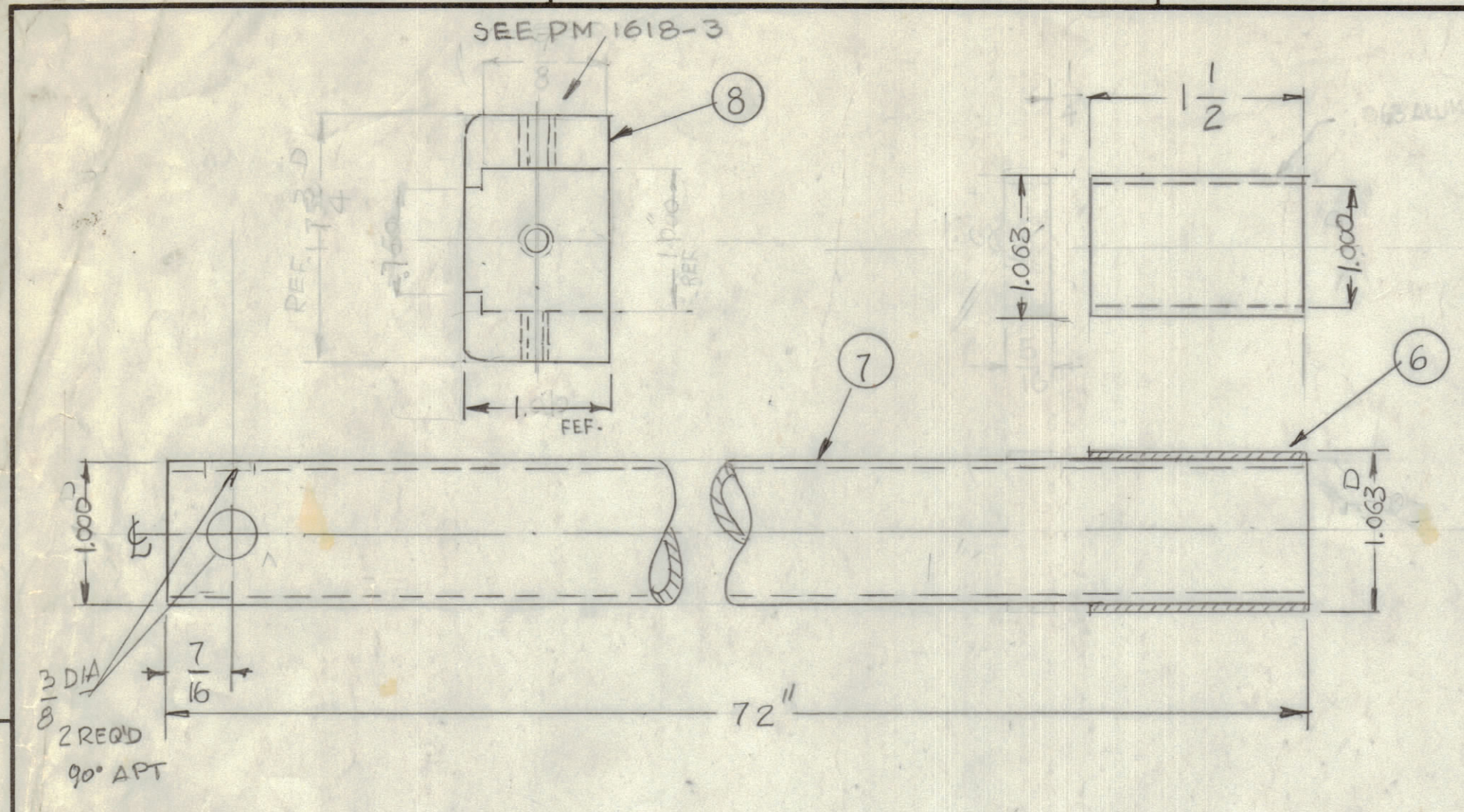


REVISIONS							
E.M.N.O	DRAFT	CHKD	ZONE	LTR	DESCRIPTION	DATE	APPROVED
	G.D.L.				ORIGINAL RELEASE FOR PRODUCTION	1-18-90	
	G.D.L.			A	DWG UPDATED	3-13-91	<i>EG</i>



QTY. REQ.	ITEM	PART NO.	DESCRIPTION	SYMBOL
1	14	.781 X 1/2	SLEEVE ALUMINUM	
1	13	AW 101-1	TELESCOPI ANTENNA WHIP	
6	12	SC155-1032SS14	SCREW, CAP CYL.	
6	11	SLHV10 32 554	SET, SCREW	
6	10	NTH1032 B P10	NUT, HEX	
6	9	LWS 1032 MEN	WASHER, LOCK	
1	8	PM1618-3	CAP. RETANIER S.S.	
1	7	1.0D X 72"	TUBING TYPE 304 SS SEAMLESS .065 THK	
1	6	1 1/8 OD X 1 1/2	SLEEVE ALUMINUM	
1	5	PM1618-2	CAP. RETANIER S.S.	
1	4	1/4 OD X 72"	TUBING TYPE 304 SS SEAMLESS .065 THK	
1	3	1 1/32 X 1 1/2	SLEEVE ALUMINUM	
1	2	PM1618-1	CAP. RETANIER S.S.	
1	1	1 1/2 OD X 72"	TUBING TYPE 304 SS SEAMLESS .065 THK	

AA-104		MODEL USED ON	ASSY NO.
APPLICATION			
CODE			

UNLESS OTHERWISE SPECIFIED DIMENSIONS ARE IN INCHES AND INCLUDE CHEMICALLY APPLIED OR PLATED FINISHES		FINAL APPROVAL <i>gab</i>	DATE 1/10/90
TOLERANCES ON		ELECT. DES.	DATE
DECIMALS	FRACTIONS	CHECKED	DATE
.XX ± .05	± 1/64	DRAWN G.D.L.	DATE 2-8-89
.XXX ± .01	ANGLES		
.XXX ± .005	± 0° - 30'		

THE TECHNICAL MATERIEL CORP. MAMARONECK, NEW YORK			
TELESCOPIC ANTENNA WHIP STAINLESS STEEL (35 FEET)			
SIZE	CODE	IDENT NO.	DWG NO.
D	82679	AW 101-4	A
SCALE 1:1		SHEET 2 OF 2	

NOTICE TO PERSONS RECEIVING THIS DRAWING
THE TECHNICAL MATERIEL CORPORATION claims proprietary right in the material disclosed hereon. This drawing is issued in confidence for engineering information only and may not be reproduced or used to manufacture anything shown hereon without permission from THE TECHNICAL MATERIEL CORPORATION to the user. This drawing is loaned for mutual assistance and is subject to recall at any time.

Ref AB106
BASE