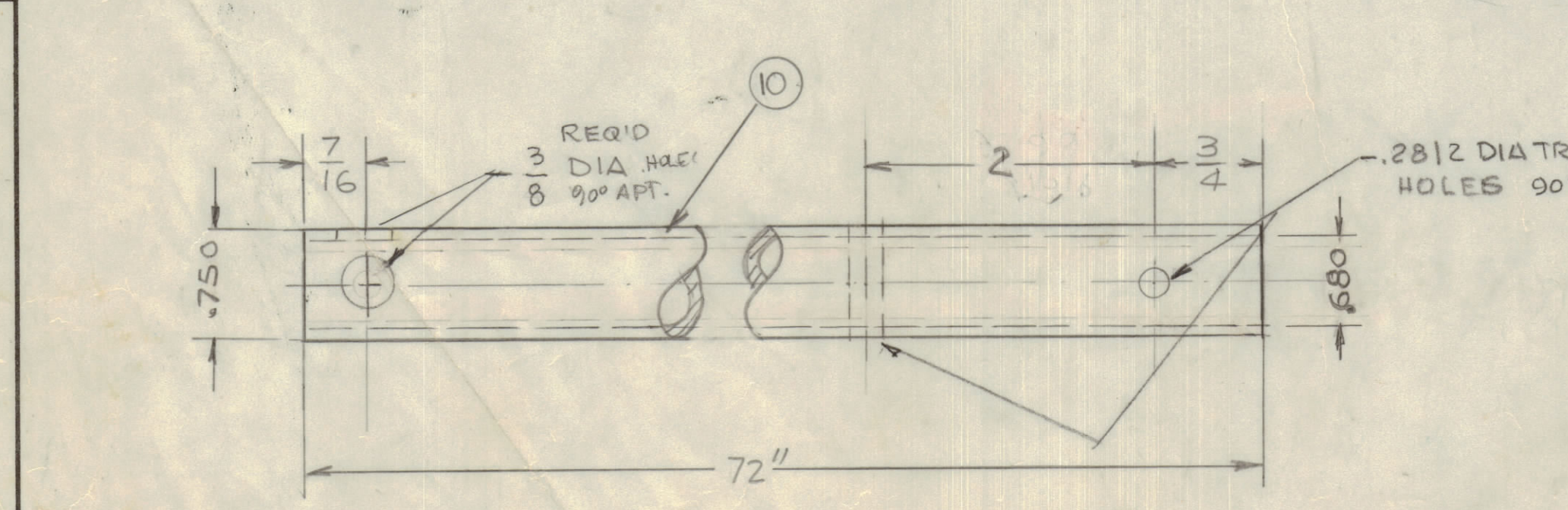
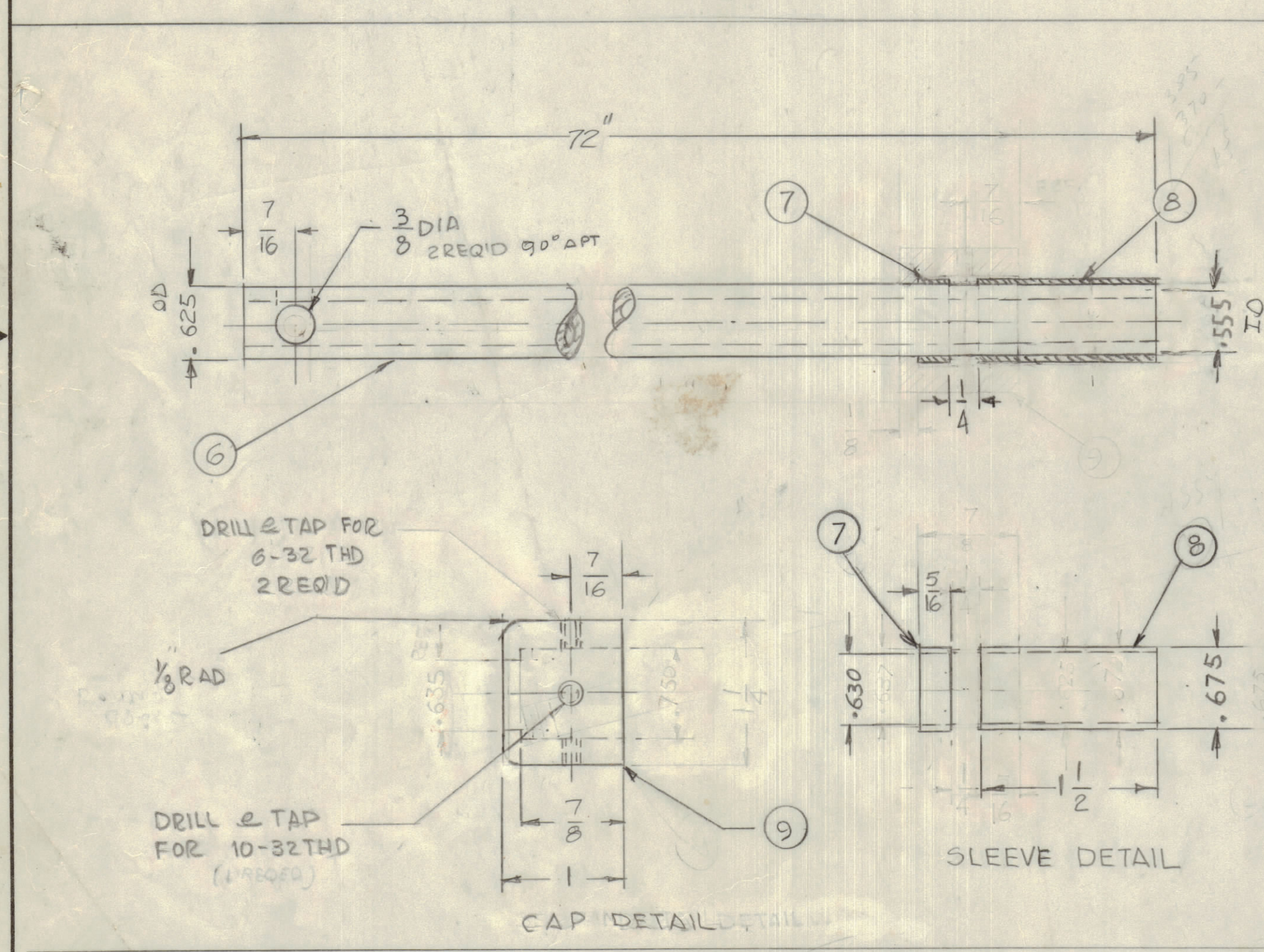
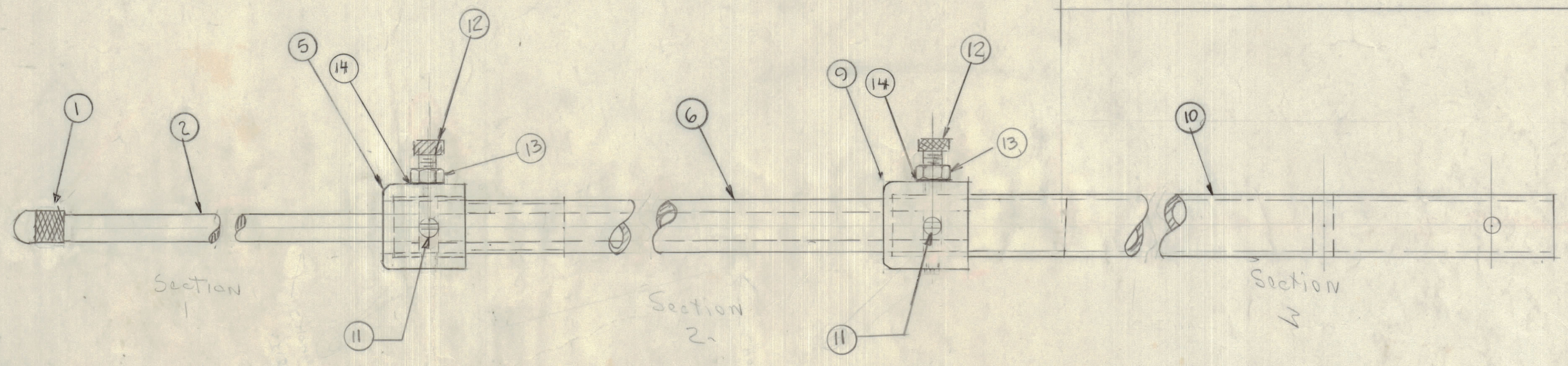
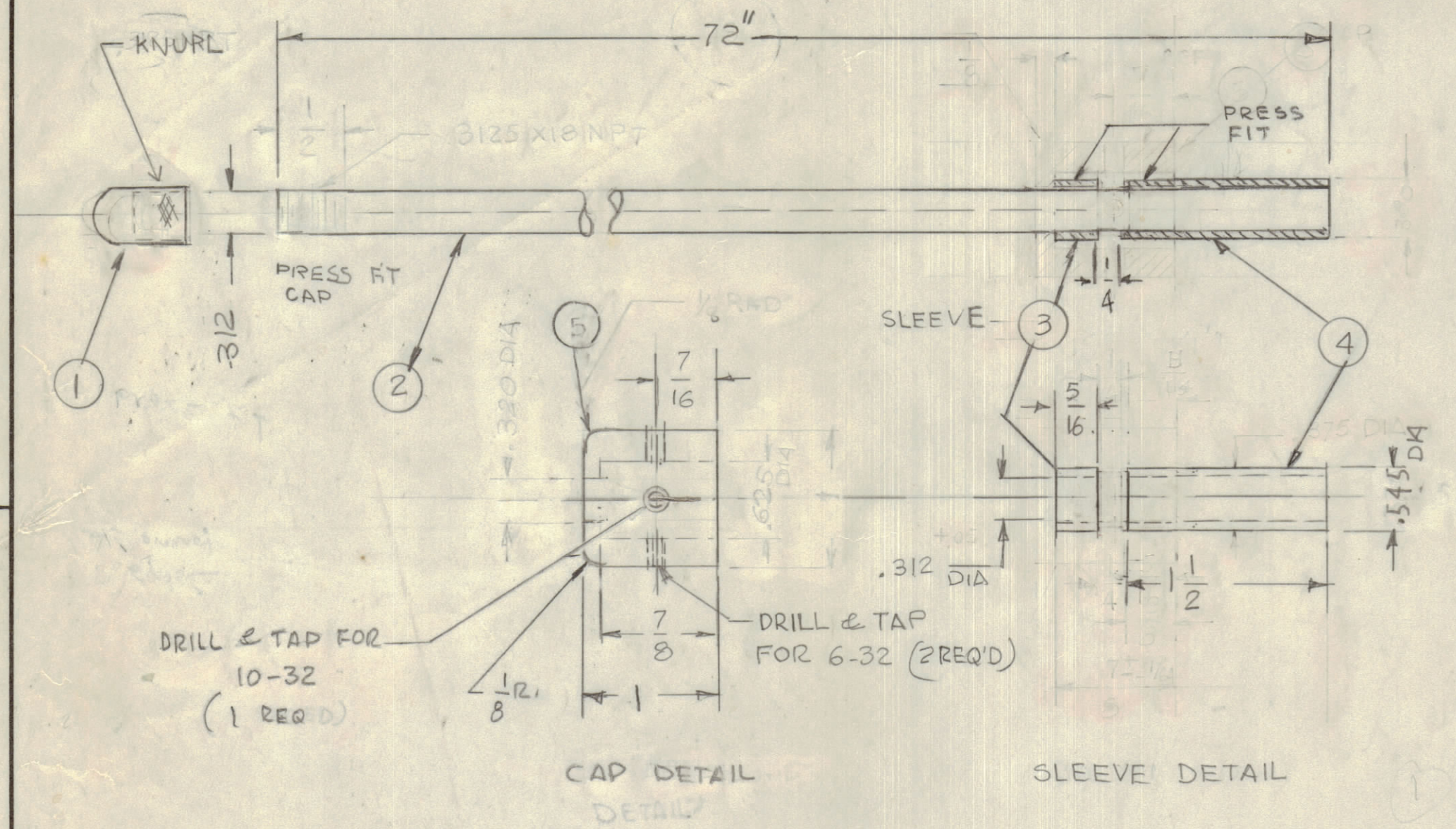


REVISIONS							
E.M.N.O	DRAFT	CHKD	ZONE	LTR	DESCRIPTION	DATE	APPROVED
	GDL			X1	DIMS. ON TIME CLARIFIED	2-8-89	
	GDL			Ø	ORIGINAL RELEASE FOR PRODUCTION	3-20-91	



5470
312
4

675
680
675

750
680
70
680
70

AW101-3
No sections

EXAMPLE
AW101-3 = 1/8 AT 3 SECTIONS
AW101-6 = 3/8 AT 6 SECTIONS

QTY. REQ.	ITEM	PART NO.	DESCRIPTION	SYMBOL
2	14	LWE 1032 MRN	WASHER, LOCK INT.	
2	13	NTH1032 BP10	NUT, HEX	
1	12	SC155-1032 SS14	SCREW CAP CYLINDRICAL	
4	11	SLHY 0632 SS4	SET, SCREW	
1	10	.7500D-.680IDx72"	TUBING, TYPE 304 SS SEAMLESS, .035THK	
1	9	PM1618-5	CAP, RETAINER SS	
1	8	.675 OD X 1/2	SLEEVE ALUM.	
1	7	.675 O.D. X 5/16	SLEEVE ALUM.	
1	6	.625 OD-.565 ID x 72"	TUBING, TYPE 304 SS SEAMLESS, .035THK	
1	5	PM1618-4	CAP, RETAINER SS	
1	4	.375 OD X 1/2	SLEEVE ALUM.	
1	3	.375 OD X 5/16	SLEEVE ALUM.	
1	2	.3120D-.035WALLx72"	TUBING, TYPE 304 SS SEAMLESS, .035THK	
1	1	.312ID	CAP, END, STAINLESS STEEL	

LIST OF MATERIAL
THE TECHNICAL MATERIEL CORP.
MAMARONECK, NEW YORK

FINAL APPROVAL	DATE
MECH. DES.	DATE
ELECT. DES.	DATE
CHECKED	DATE
DRAWN	DATE

QTY / UNIT	MODEL USED ON	ASSY NO.
APPLICATION		
CODE		
MATERIAL 304 STAINLESS STEEL		
FINISH		

TELESCOPIC ANTENNA WHIP
STAINLESS STEEL
SIZE CODE IDENT NO. DWG NO. ISSUE
D 82679 AW101-11
SCALE SHEET 1 OF 2

NOTICE TO PERSONS RECEIVING THIS DRAWING
THE TECHNICAL MATERIEL CORPORATION claims proprietary right in the material disclosed herein. This drawing is issued in confidence for engineering information only and may not be reproduced or used to manufacture anything shown hereon without permission from THE TECHNICAL MATERIEL CORPORATION to the user. This drawing is loaned for mutual assistance and is subject to recall at any time.