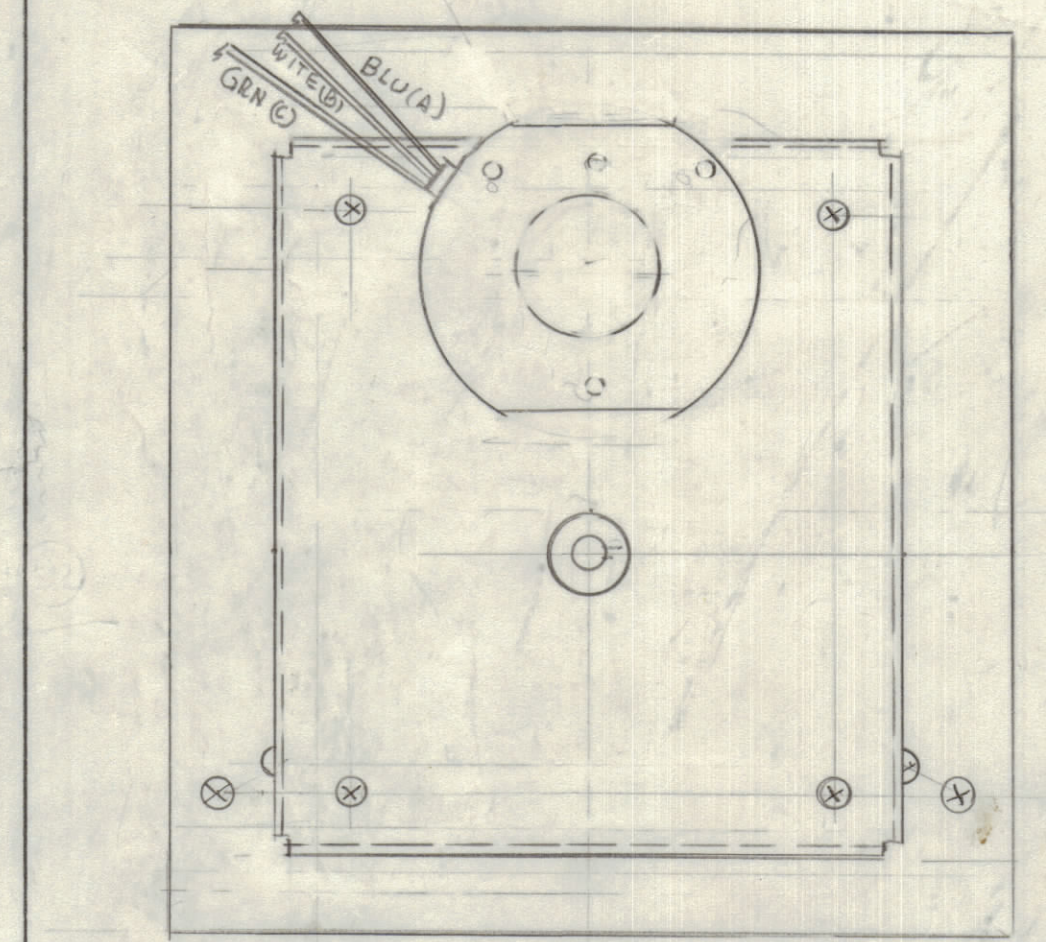
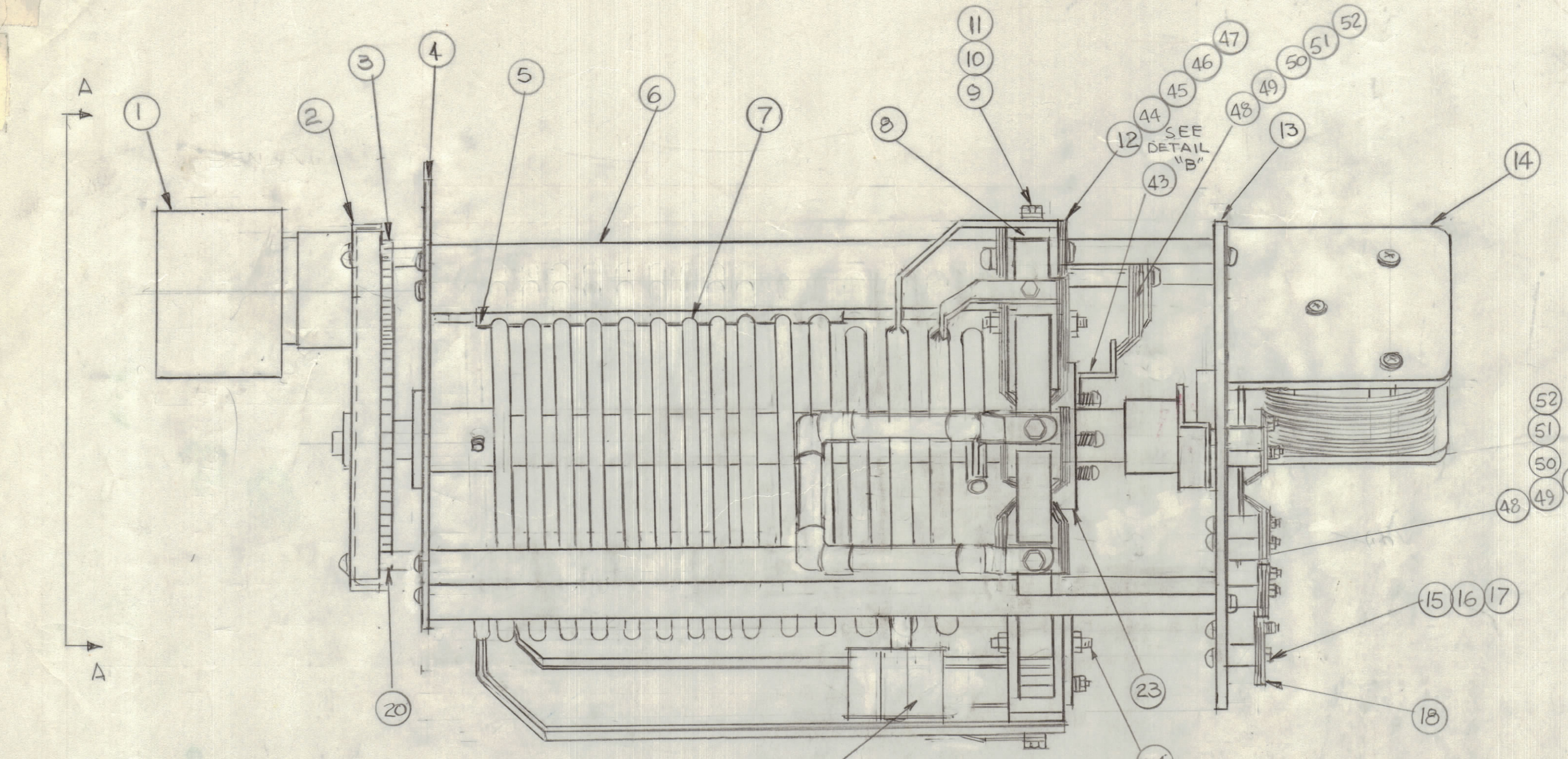
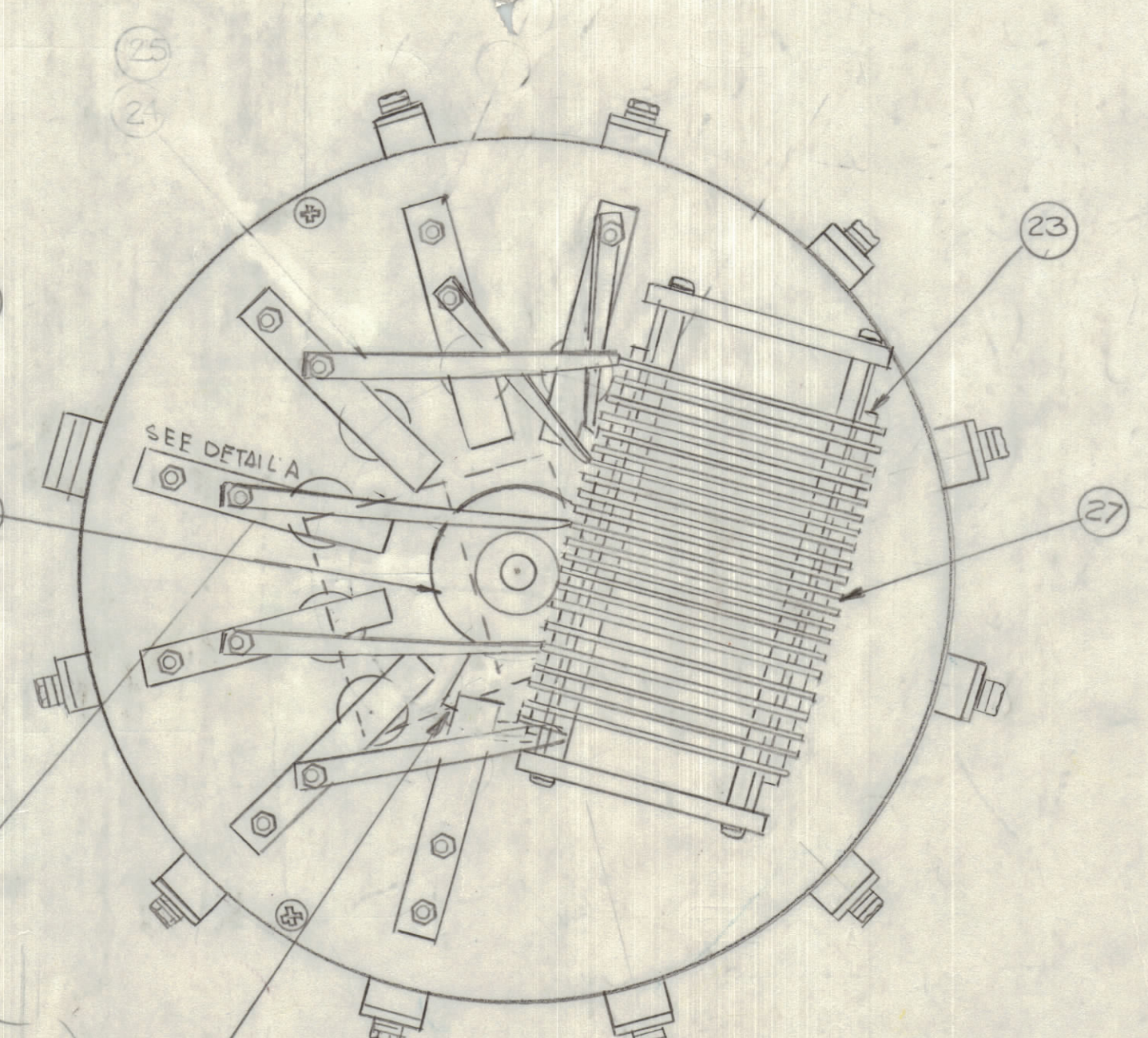
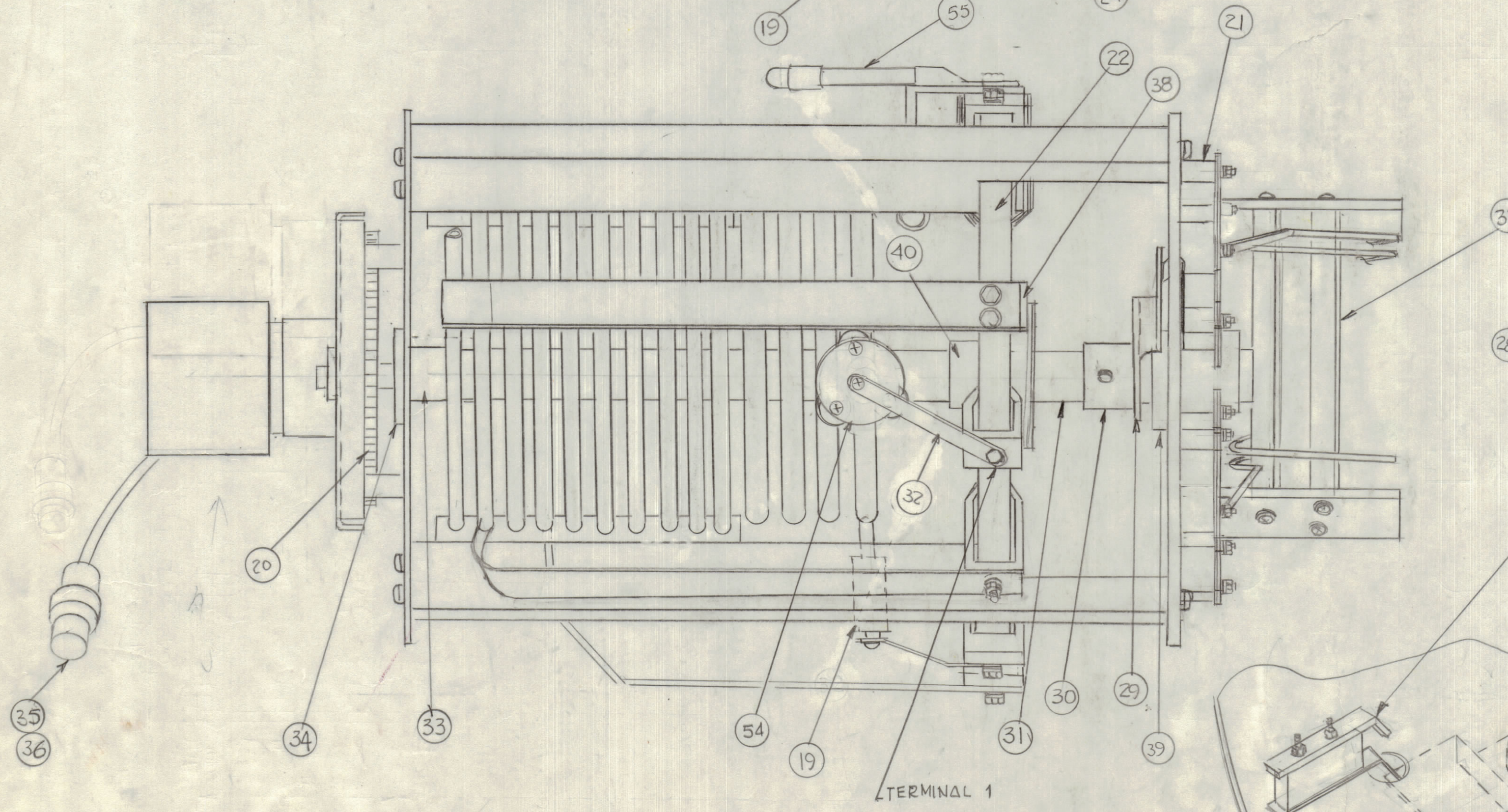


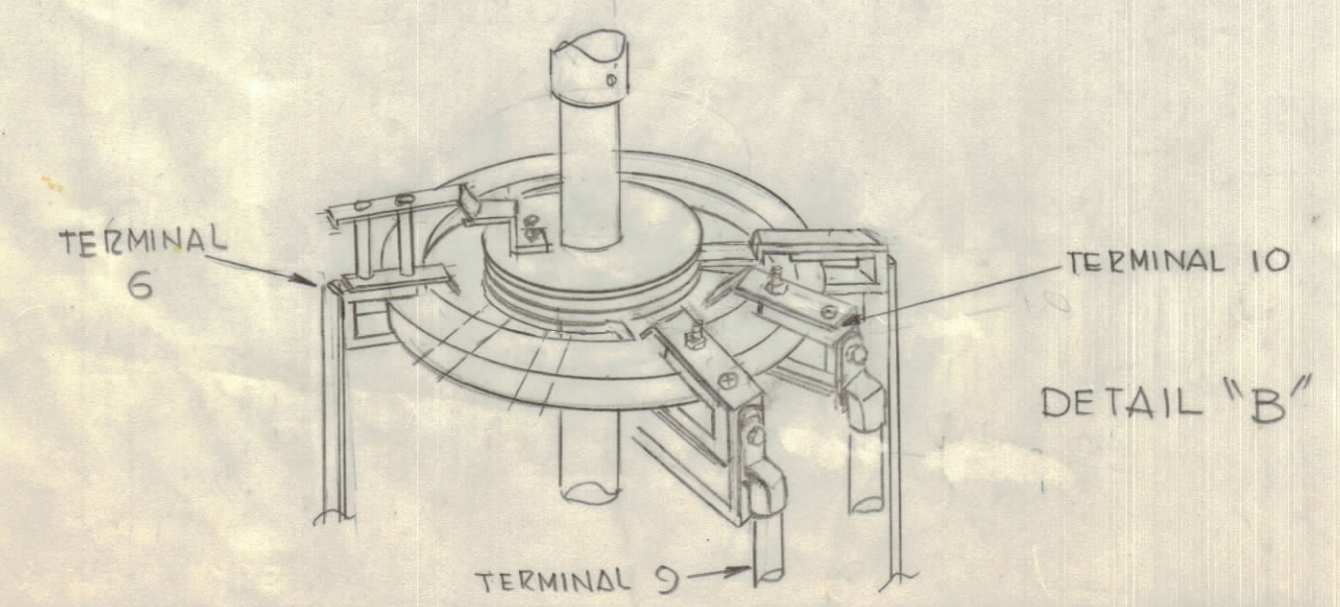
REVISIONS						DATE	APPROVED
E.M.N.O	DRAFT	CHKD	ZONE	LTR	DESCRIPTION		
GDL					ORIGINAL REASE	11-28-84	
GDL					A ITEM 13 & ITEM 22 CLARIFIED	5-18-93	



VIEW A-A



SHOW IN POSITION 10 (24-30MHz BAND)



DETAIL "B"

DETAIL "A"

QTY.	ITEM	PART NO.	DESCRIPTION	SYMBOL
1	54	AX 747	ASSY CAP.	
2	53	MS1601-10	CONTACT	
2	52	MS1601-9	CONTACT SW	
2	51	MS1601-8		
2	50	MS1601-7		
2	49	MS1601-6		
24	48	MS1601-5		
24	47	MS1601-4		
22	46	MS1601-3		
22	45	MS1601-2		
22	44	MS1601-1	CONTACT SHORTING	
1	43	MS 5613	CONTACT SHORTING	
1	42	PM 1176	CONTACT WIPER	
3	41	PX 1084	SPACER, COIL	
1	40	PM 1404	ROTOR, BND SW	
1	39	PM 1188	COLLAR	
1	38	PM 1190	U BRACKET, WIPER	
3	37	PX 906-3	SPACER, SUPPORT	
1	36	MS34206A	BUSH RUB	
1	35	MS3106A-MS-7P	CONN. PLUG ML/3C	
1	34	PM 1403	BEARING, PLATE	
1	33	PM 1405	ROTOR, BND SW	
1	32	MS 202	LEAD CONNECTION	
1	31	PX 1070	SHAFT, BND SW	
1	30	PM 1214	HUB, BOTTS	
1	29	PM 1430	ROTOR, CONTACT	
1	28	PM 1186	ROTOR, BD SWITCH	
1	27	CL 440-19	COIL, RF ASS'Y	
2	26	MS		
1	25	CL 441	COIL, RF, HF	
12	24		ROD THD	
1	23	PM 1183	PLATE, PRESSURE	
1	22	PX 897	BD, MTG CONTACTS	
7	21	PM 1189-2	SPACER, MTG CONTACTS	
1	20	GR 237	GEAR, SPUR SPECIAL	
1	19	CC109-31	CAP. FXD CER.	
6	18	MS 1601-	CONTACT SW	
14	17	FW 0832MRN	FLAT WASHER	
14	16	NTH 0832BN-10	NUT, HEX.	
14	15	SCB P0832BN-24	SCREW, MACHINE	
2	14	PX 1074	BOARD MTG COIL	
1	13	PX 1076	WAFER, MTG CONT	
1	12	MS1601-1	CONTACT SW	
14	11	FW 2520 MRN	FLAT, WASHER	
14	10	NTH 2520BN-14	NUT, HEX.	
14	9	SCHH 2520BN-10	SCREW, MACHINE	
2	8	PM 1216	U BRACKET	
1	7	CL 445	COL. MN TANK	
3	6	PX 1073	LEG. BND SW	
3	5	PX 1092	SPACER, COIL	
1	4	MS 5521	PLATE MTG. BND SW.	
1	3	GR 205-45	GEAR, SPUR	
1	2	PM 1402	PLATE BOT. GEAR BOX	
1	1	MO 129	GEAR, MOTOR	

QTY. REQ.	ITEM	PART NO.	DESCRIPTION	SYMBOL
-----------	------	----------	-------------	--------

LIST OF MATERIAL
THE TECHNICAL MATERIEL CORP.
 MAMARONECK, NEW YORK

BAND SW ASS'Y

UNLESS OTHERWISE SPECIFIED DIMENSIONS ARE IN INCHES AND INCLUDE CHEMICALLY APPLIED OR PLATED FINISHES

TOLERANCES ON
 DECIMALS .X ± .05
 .XX ± .01
 .XXX ± .005

FRACTIONS ± 1/64
 ANGLES ± 0°-30'

QTY / UNIT	MODEL USED ON	ASS'Y NO.
	APPLICATION	
	CODE	

NOTICE TO PERSONS RECEIVING THIS DRAWING
 THE TECHNICAL MATERIEL CORPORATION claims proprietary right in the material disclosed hereon. This drawing is issued in confidence for engineering information only and may not be reproduced or used to manufacture anything shown hereon without permission from THE TECHNICAL MATERIEL CORPORATION to the user. This drawing is loaned for mutual assistance and is subject to recall at any time.

MATERIAL	A	SIZE	CODE	IDENT NO.	DWG NO.	ISSUE
FINISH		D	82679	AS163		A
SCALE						SHEET OF